

042

09-20-2019 LETTING ITEM 042

STATE OF ILLINOIS
DEPARTMENT OF TRANSPORTATION

F.A. ATE.	SECTION	COUNTY	TOTAL SHEETS	SHEET NO.
*	DIST 8 ELECTRICAL 2020-1	*	6	1
**	VARIOUS	ILLINOIS	CONTRACT NO. 76M38	

INDEX OF SHEETS

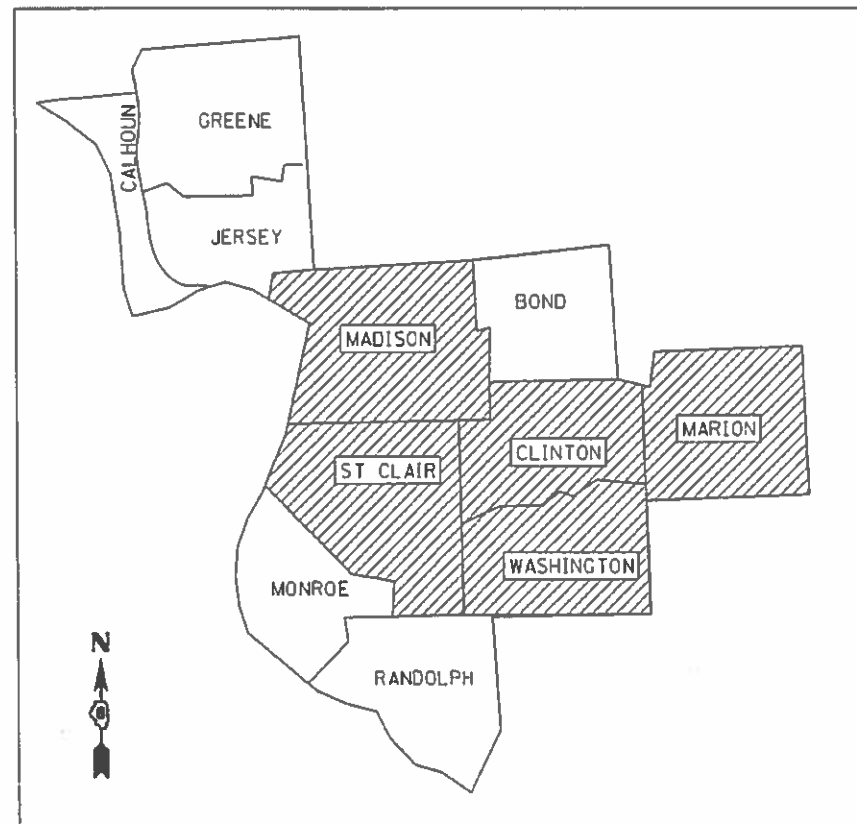
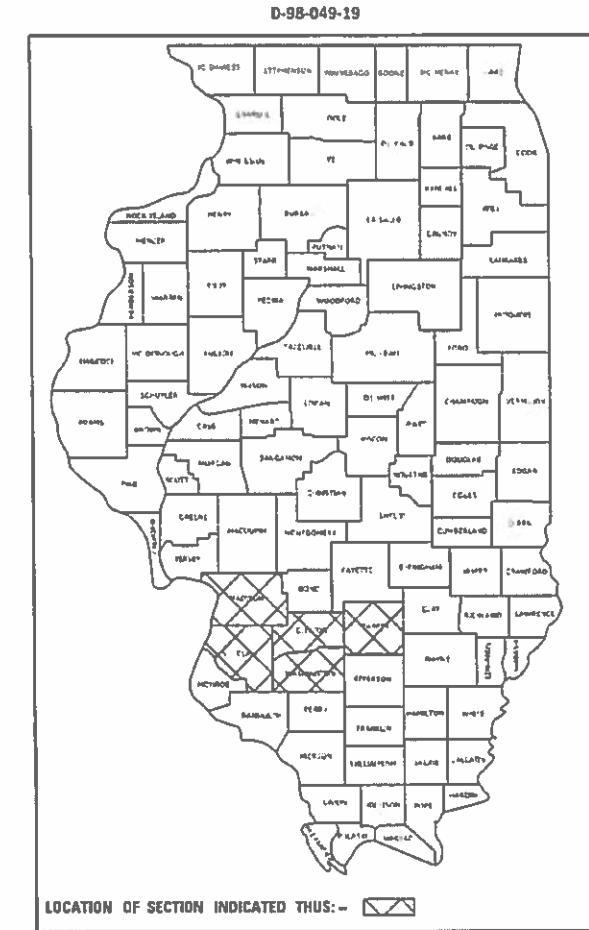
1. COVER SHEET
2. GENERAL NOTES AND TYPICAL WORK ORDER FORMS
3. SUMMARY OF QUANTITIES
- 4-6. MIXERS

FOR LIST OF HIGHWAY STANDARDS, SEE SHEET NO. 2

PROPOSED HIGHWAY PLANS

**VARIOUS ROUTES
SECTION DIST 8 ELECTRICAL 2020-1
REPAIR & MAINTENANCE OF ELECTRICAL
EQUIPMENT AT PUMP STATIONS
VARIOUS COUNTIES**

C-98-065-19



NOTE: WORK CAN BE LOCATED WITHIN ANY OF THE ABOVE NOTED COUNTIES WITHIN DISTRICT 8/REGION 5.



FULL SIZE PLANS HAVE BEEN PREPARED USING STANDARD ENGINEERING SCALES. REDUCED SIZED PLANS WILL NOT CONFORM TO STANDARD SCALES. IN MAKING MEASUREMENTS ON REDUCED PLANS, THE ABOVE SCALES MAY BE USED.

J.U.L.I.E.
JOINT UTILITY LOCATION INFORMATION FOR EXCAVATORS
1-800-892-6123
OR 811

PROJECT ENGINEER: HERVE GELIN (618) 346-3179
PROJECT MANAGER: PHILLIP PETE SAWYER (618) 346-3275
SQUAD LEADER: JEYCEA BOBO (618) 346-3190
CONTRACT NO. 76M38

STATE OF ILLINOIS
DEPARTMENT OF TRANSPORTATION

SUBMITTED June 10 2019
Keith Roberts REGIONAL ENGINEER

Aug 16 2019
See E.A. Etk ENGINEER OF DESIGN AND ENVIRONMENT

Aug 16 2019
David P. Ch... DIRECTOR OF HIGHWAYS PROJECT IMPLEMENTATION

PRINTED BY THE AUTHORITY
OF THE STATE OF ILLINOIS

GENERAL NOTES

1. THE LOCATIONS OF THE REPAIR AREAS SHALL BE DETERMINED BY THE ENGINEER/DEPARTMENT.
2. NO MATERIAL SHALL BE LEFT ON OR NEAR THE ROADWAY DURING NON-WORKING HOURS.
3. ANY NECESSARY TRAFFIC CONTROL WILL BE PROVIDED BY THE CONTRACTOR APPROPRIATE STANDARDS ARE LISTED BELOW.
4. ILLINOIS STATE LAW REQUIRES A 48-HOUR NOTICE TO BE GIVEN TO UTILITIES BEFORE DIGGING. FIELD MARKING OF FACILITIES MAY BE OBTAINED BY CONTACTING J.U.L.I.E. (1-800-892-0123 OR 811) OR FOR NON-MEMBERS, THE UTILITY COMPANY DIRECTLY.
5. A FLAGGER SHALL BE REQUIRED AT ALL TIMES WHEN WORKERS OR EQUIPMENT ARE ENCROACHING ON THE LANE OF TRAFFIC.
6. WHEN NO WORK IS BEING PERFORMED, THE FLAGGERS WILL NOT BE REQUIRED. IF THE FLAGGERS ARE NOT PRESENT, THE FLAGGER SIGNS SHALL BE REMOVED OR COVERED.
7. 45 & 55 MPH SIGNS ARE INCLUDED IN ALL INTERSTATE LANE CLOSURES. IF THE LANE CLOSURE DURATION IS LESS THAN 4 HOURS, THE 45 & 55 MPH SIGNS ARE NOT REQUIRED.
8. ANY WORK ORDER MAY BE CANCELLED AT THE ENGINEER'S/DEPARTMENT'S DISCRETION.
9. NO OVERNIGHT LANE CLOSURES WILL BE ALLOWED.

10. HIGHWAY STANDARDS

000001-07	701301-04
001006	701400-09
701001-02	701401-12
701006-05	701601-09
701106-02	701901-08



Work Order

Requested By: _____ **Date:** _____ **Time:** _____

Assigned To: _____ **Received From:** _____

Estimated Cost: _____

Location: _____

Problem:

Ref/Accident #: _____ **Claim #:** _____

Remarks: _____

Completed By: _____ **Date/Time Completed:** _____

MODEL: I:\MODEL\MHFE
FILE: MHFE_Plan\p10m100m.dwg
PROJECT: I:\Projects\DOT\Documents\DOT_Offices\District 8\Projects\DOT\76M38\CADD\Drawings\CADD\Drawings\DOT\76M38-ctc-248a.dwg

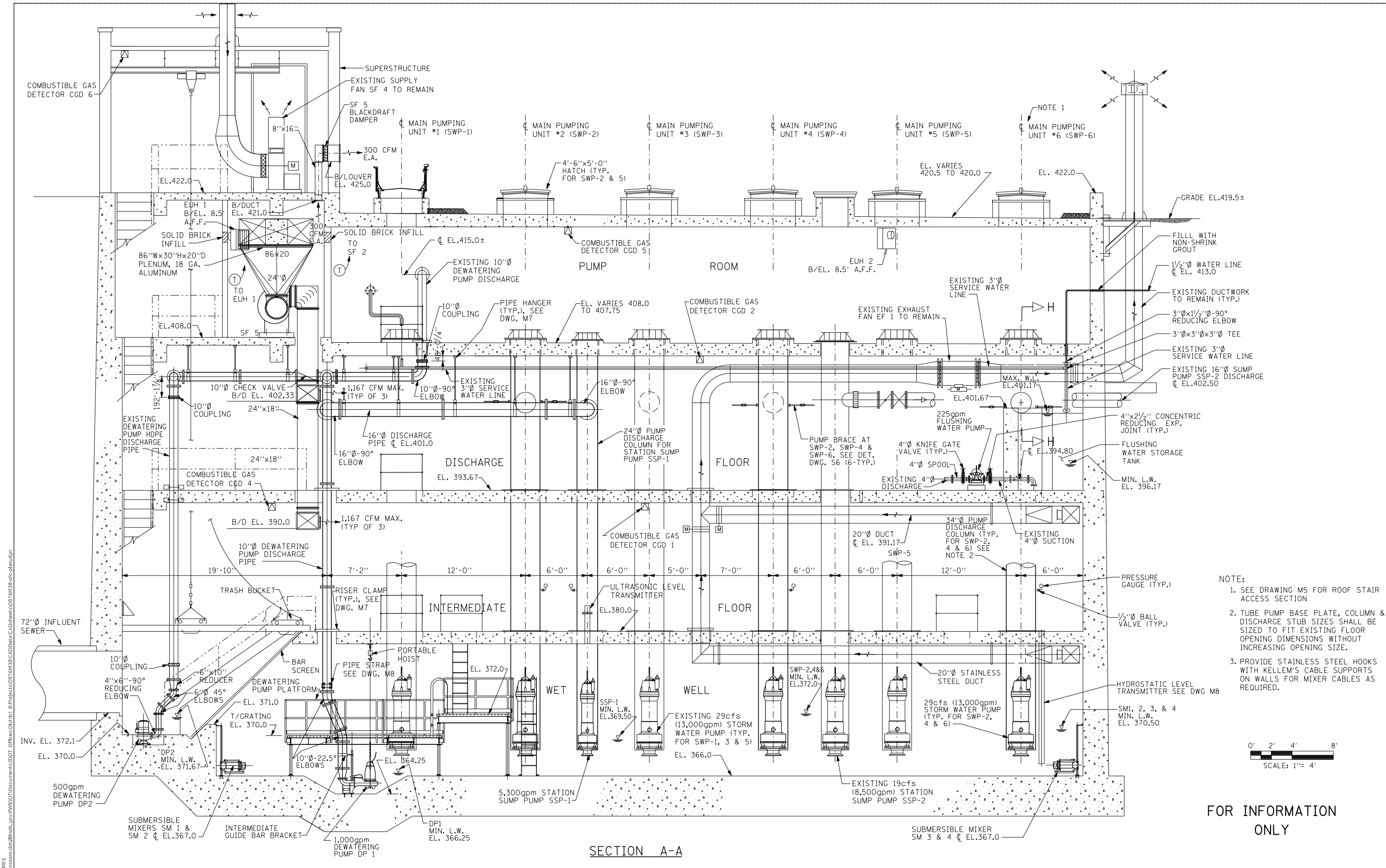
USER NAME = gclinh	DESIGNED - _____	REVISED - _____
	DRAWN - _____	REVISED - _____
PLOT SCALE = 100.0000' / in.	CHECKED - _____	REVISED - _____
PLOT DATE = 6/7/2019	DATE - _____	REVISED - _____

**STATE OF ILLINOIS
DEPARTMENT OF TRANSPORTATION**

**GENERAL NOTES
TYPICAL WORK ORDER FORM**

SCALE: _____ SHEET ____ OF ____ SHEETS STA. _____ TO STA. _____

F.A. RTE.	SECTION	COUNTY	TOTAL SHEETS	SHEET NO.
*	DIST 8 ELECTRICAL 2020-1	*	6	2
* = VARIOUS			CONTRACT NO. 76M38	
ILLINOIS FED. AID PROJECT				



- NOTE:
- SEE DRAWING M5 FOR ROOF STAIR ACCESS SECTION
 - TUBE PUMP BASE PLATE, COLUMN & DISCHARGE STUB SIZES SHALL BE SIZED TO FIT EXISTING FLOOR OPENING DIMENSIONS WITHOUT INCREASING OPENING SIZE.
 - PROVIDE STAINLESS STEEL HOOKS WITH KELLEM'S CABLE SUPPORTS ON WALLS FOR MIXER CABLES AS REQUIRED.



FOR INFORMATION ONLY

SECTION A-A

MODEL: S:\MODEL\M5.MXD
 FILE: M5.dwg
 PROJECT: 076M38\076M38\076M38\CADD\076M38-01.dwg
 PROJECT: 076M38\076M38\076M38\CADD\076M38-01.dwg
 PROJECT: 076M38\076M38\076M38\CADD\076M38-01.dwg

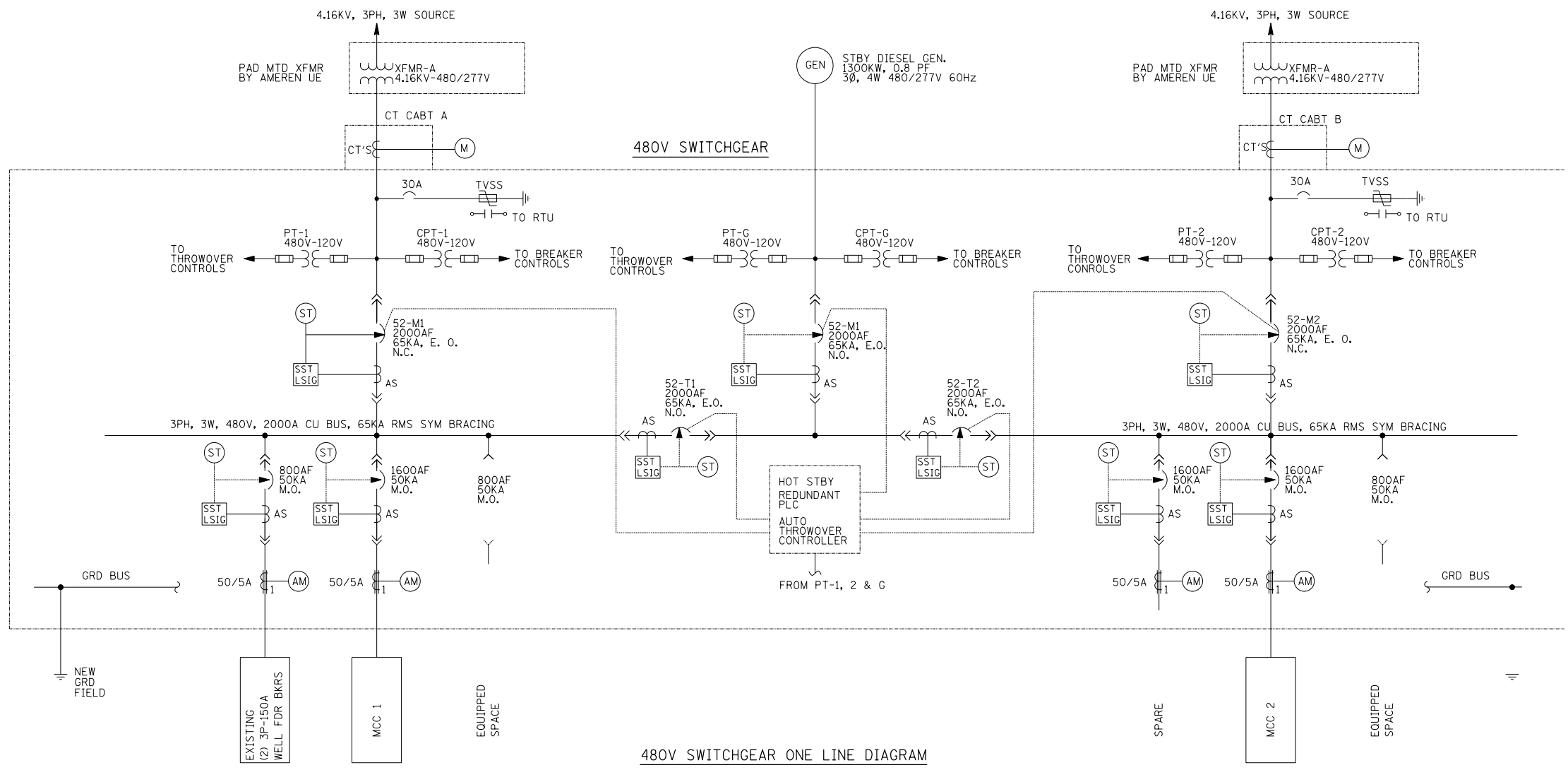
USER NAME = gellnh	DESIGNED -	REVISED -
PLOT SCALE = 814.7909' / in.	DRAWN -	REVISED -
PLOT DATE = 6/7/2019	CHECKED -	REVISED -
	DATE -	REVISED -

STATE OF ILLINOIS
DEPARTMENT OF TRANSPORTATION

MECHANICAL SECTIONS

SCALE: _____ SHEET _____ OF _____ SHEETS STA. _____ TO STA. _____

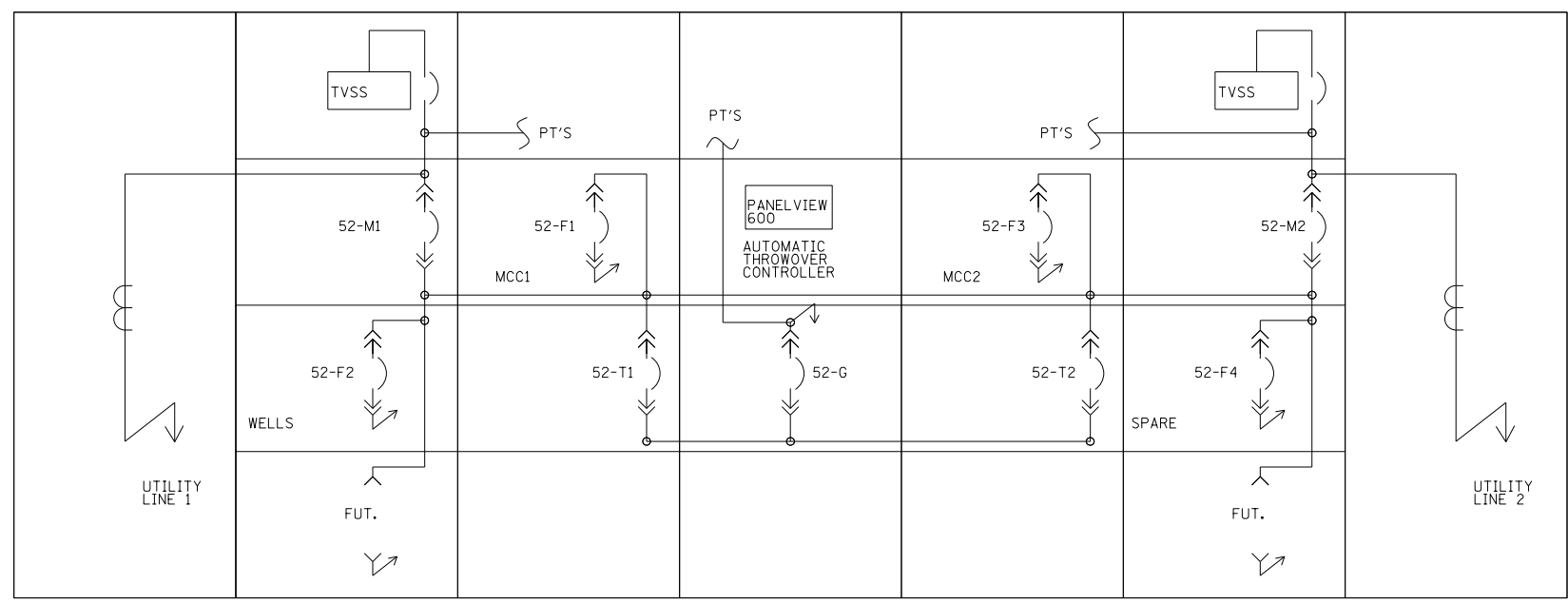
F.A. RTE.	SECTION	COUNTY	TOTAL SHEETS	SHEET NO.
	DIST 8 ELECTRICAL 2020-1		6	4
*VARIOUS		CONTRACT NO. 76M38		
ILLINOIS		FED. AID PROJECT		



480V SWITCHGEAR ONE LINE DIAGRAM

- LEGEND:**
- AS CURRENT SENSOR
 - CT CURRENT TRANSFORMER
 - EO ELECTRIC OPERATOR
 - MO MANUALLY OPERATED
 - MCCB MOLDED CASE CIRCUIT BREAKER
 - PT POTENTIAL TRANSFORMER
 - CPT CONTROL POWER TRANSFORMER
 - CLF INDICATES CURRENT LIMITING TYPE
 - ↕ HIGH VOLTAGE CABLE LOAD BREAK CONNECTOR
 - ⊞ FUSE
 - ⌋ DRAW OUT TYPE LOW VOLTAGE POWER CIRCUIT BREAKER WITH BUILT-IN CURRENT SENSOR
 - AS
 - ⊞ L S I G SOLID STATE TRIP DEVICE LOWER LETTERS: L - LONG TIME DELAY S - SHORT TIME DELAY I - INSTANTANEOUS G - GROUND FAULT
 - ⊞ ST SHUNT TRIP
 - ⊞ AM AMMETER

- NOTES:**
1. SPACE SHALL BE PREPARED TO ACCEPT A FUTURE BREAKER.
 2. ALL BREAKERS SHALL HAVE DIGITRIP DT-1150, WITH SYSTEM COMMUNICATION.



480V SWITCHGEAR FRONT ELEVATION

FOR INFORMATION ONLY

MODEL: 140DELNAME1 FILE: 140delname1.dwg PROJECT: 140delname1.dwg

USER NAME = gelnh	DESIGNED - _____	REVISED - _____
DRAWN - _____	REVISIONS - _____	REVISIONS - _____
PLOT SCALE = 814.7909' / in.	CHECKED - _____	REVISIONS - _____
PLOT DATE = 6/7/2019	DATE - _____	REVISIONS - _____

STATE OF ILLINOIS
DEPARTMENT OF TRANSPORTATION

PUMP STATION SWITCHGEAR ONE LINE DIAGRAM & ELEVATION	
SCALE: _____	SHEET _____ OF _____ SHEETS
STA. _____	TO STA. _____

F.A. RTE.	SECTION	COUNTY	TOTAL SHEETS	SHEET NO.
*	DIST 8 ELECTRICAL 2020-1	*	6	6
*VARIOUS		CONTRACT NO. 76M38		
ILLINOIS		FED. AID PROJECT		