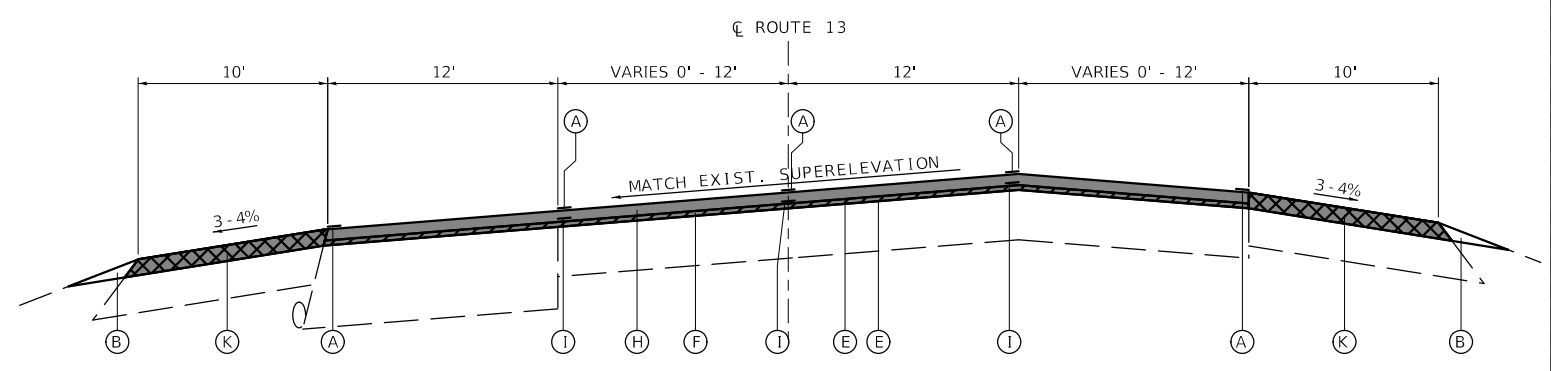
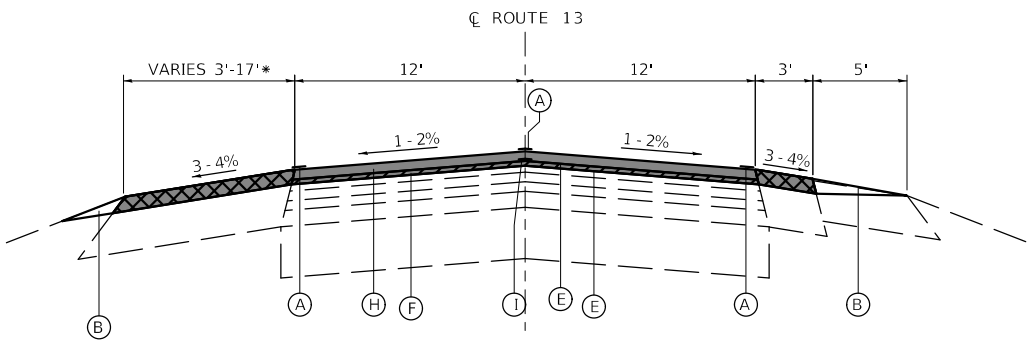


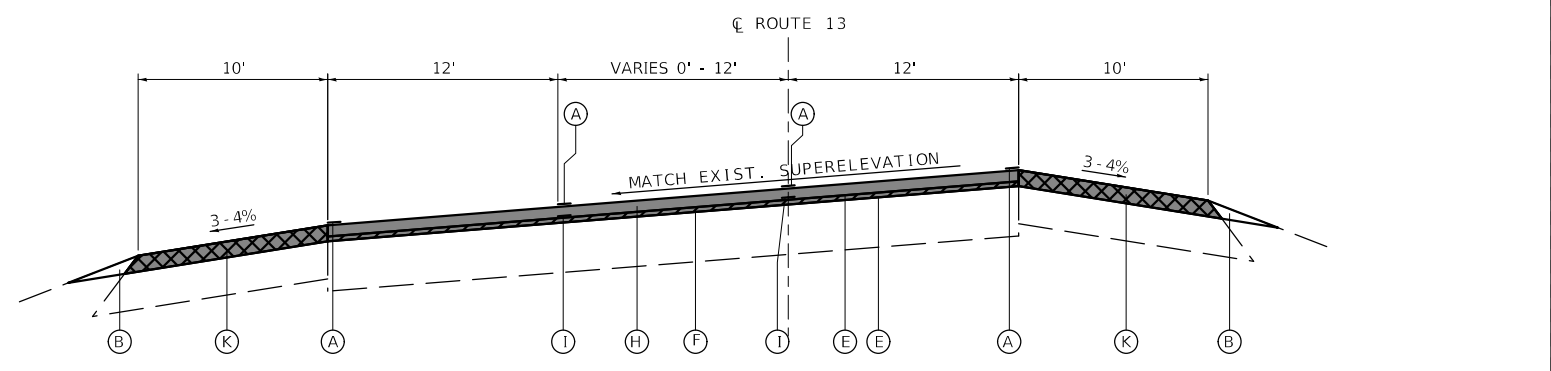
TYPICAL TANGENT SECTION
STA 692+35 TO STA 695+10



TYPICAL TANGENT SECTION
STA 731+80 TO STA 738+80
*STA 731+80 TO STA 734+35



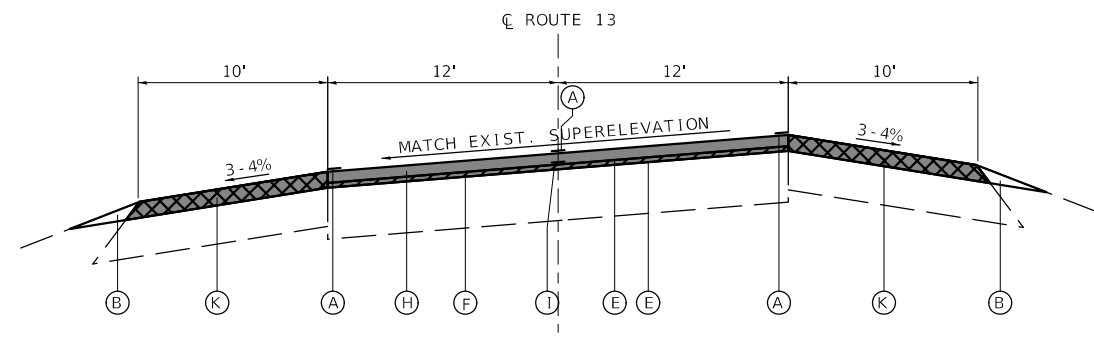
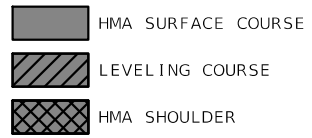
TYPICAL TANGENT SECTION
STA 702+65 TO STA 706+30
* 9' - STA 703+25
17' - STA 704+25 TO STA 705+05
9' - STA 705+85



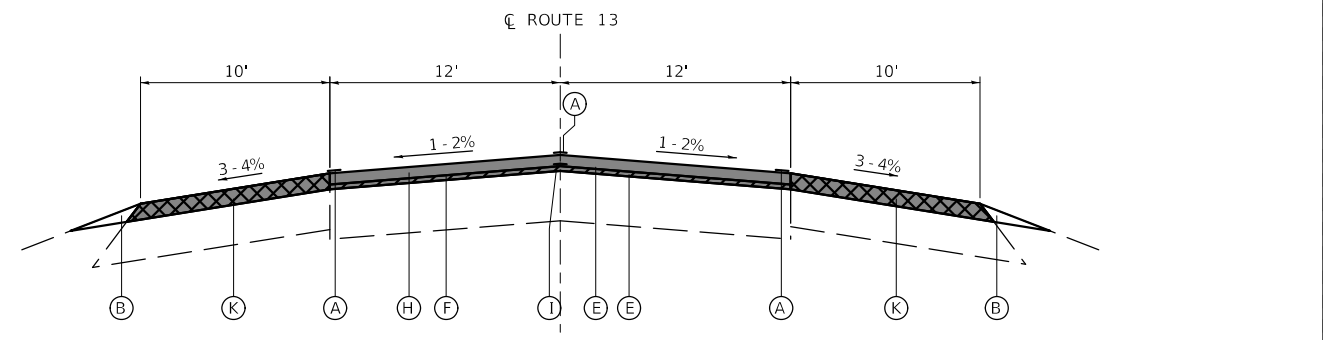
TYPICAL TANGENT SECTION
STA 738+80 TO STA 745+40
*STA 742+15 TO STA 745+40

LEGEND

- (A) PROPOSED PAVEMENT MARKINGS - 4"
- (B) PROPOSED AGGREGATE WEDGE SHOULDER, TYPE B
- (C) PROPOSED TYPE B-6.24 CONCRETE CURB AND GUTTER
- (D) PROPOSED AGGREGATE SUBBASE, TYPE B - 2"
- (E) PROPOSED BITUMINOUS MATERIAL (TACK COAT)
- (F) PROPOSED HMA LEVELING COURSE - 3/4"
- (G) PROPOSED HMA SURFACE COURSE - 1 1/2"
- (H) PROPOSED HMA SURFACE COURSE - 1 3/4"
- (I) PROPOSED LONGITUDINAL JOINT SEALER
- (J) PROPOSED HMA SHOULDER - 2 1/4"
- (K) PROPOSED HMA SHOULDER - 2 1/2"



TYPICAL SUPERELEVATED SECTION
STA 719+50 TO STA 731+80



TYPICAL TANGENT SECTION
STA 745+40 TO STA 788+15

MODEL: Default
FILE NAME: 76J16 11-24-19.rvt

USER NAME = gowens	DESIGNED - TWC	REVISED -
	DRAWN - TWC	REVISED -
PLOT SCALE = 10.0000 ' / in.	CHECKED - STS	REVISED -
PLOT DATE = 2/12/2019	DATE - 2/12/2019	REVISED -

**STATE OF ILLINOIS
DEPARTMENT OF TRANSPORTATION**

**PROPOSED TYPICAL SECTIONS
(SHEET 7 OF 8)**

SCALE: 10.0000 ' / in. SHEET 7 OF 8 SHEETS STA. TO STA.

F.A.P. RTE.	SECTION	COUNTY	TOTAL SHEETS	SHEET NO.
103	(27,25,38,56)RS	ST. CLAIR	87	12
CONTRACT NO. 76J16				
ILLINOIS FED. AID PROJECT				