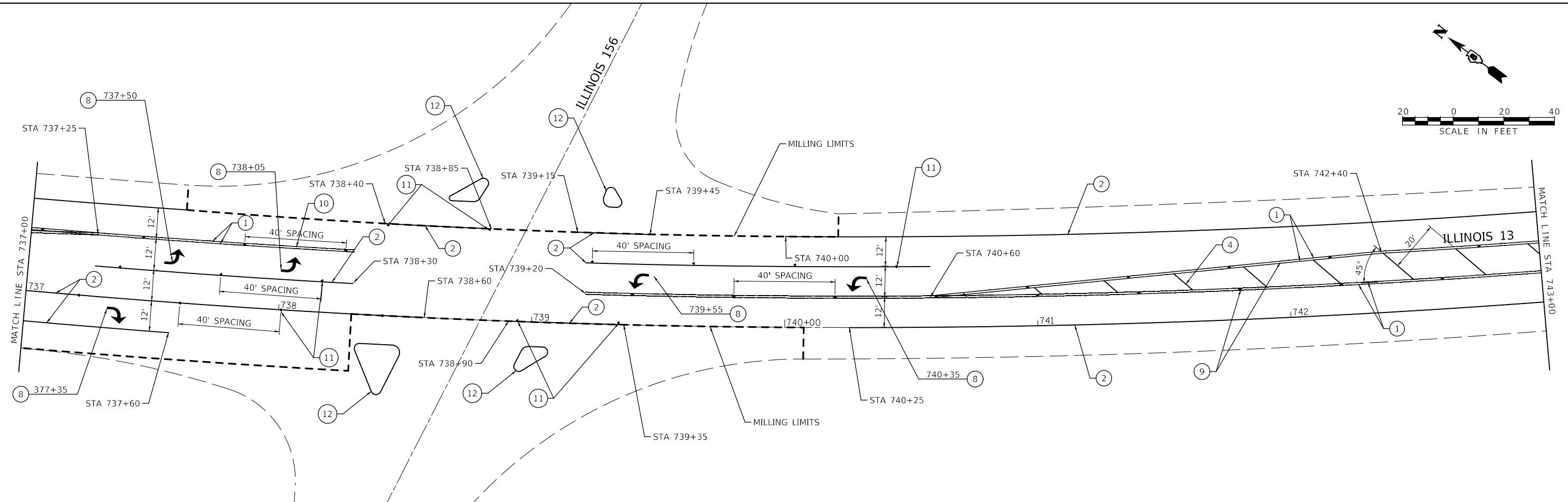
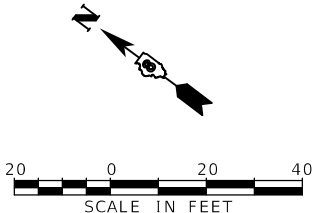
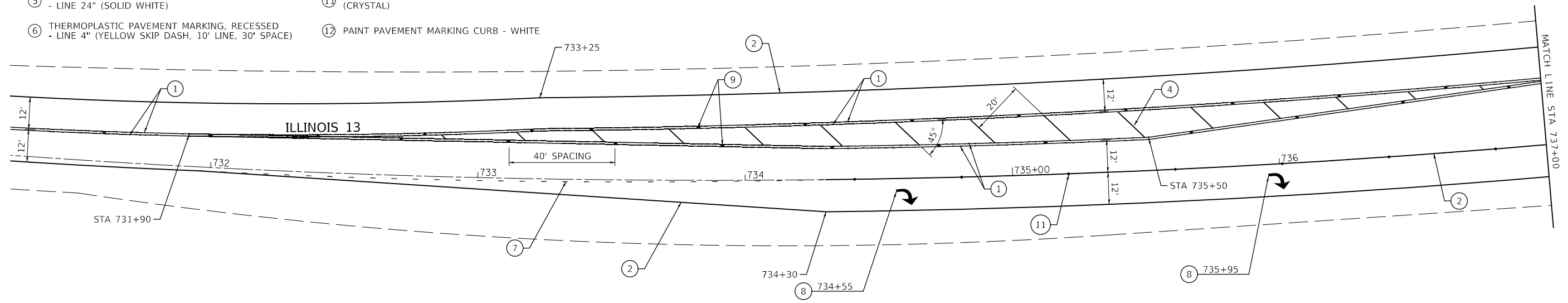
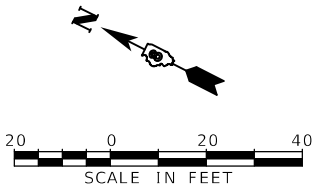


**PAVEMENT MARKING LEGEND**

- ① THERMOPLASTIC PAVEMENT MARKING, RECESSED - LINE 4" (SOLID YELLOW)
- ② THERMOPLASTIC PAVEMENT MARKING, RECESSED - LINE 4" (SOLID WHITE)
- ③ THERMOPLASTIC PAVEMENT MARKING, RECESSED - LINE 12" (SOLID WHITE)
- ④ THERMOPLASTIC PAVEMENT MARKING, RECESSED - LINE 12" (SOLID YELLOW)
- ⑤ THERMOPLASTIC PAVEMENT MARKING, RECESSED - LINE 24" (SOLID WHITE)
- ⑥ THERMOPLASTIC PAVEMENT MARKING, RECESSED - LINE 4" (YELLOW SKIP DASH, 10' LINE, 30' SPACE)
- ⑦ THERMOPLASTIC PAVEMENT MARKING, RECESSED - LINE 4" (WHITE DOTTED, 2' LINE, 6' SPACE)
- ⑧ PREFORMED THERMOPLASTIC PAVEMENT MARKING, RECESSED - LETTERS AND SYMBOLS (SOLID WHITE)
- ⑨ RAISED REFLECTIVE PAVEMENT MARKER ONE-WAY (AMBER)
- ⑩ RAISED REFLECTIVE PAVEMENT MARKER TWO-WAY (AMBER)
- ⑪ RAISED REFLECTIVE PAVEMENT MARKER ONE-WAY (CRYSTAL)
- ⑫ PAINT PAVEMENT MARKING CURB - WHITE



MODEL: D:\p116\16\_26-2019-PMK.dgn  
FILE NAME: 76J16\_26-2019-PMK.dgn

USER NAME = gowens	DESIGNED - SCA-18	REVISED -
DRAWN - SCB-18	REVISOR -	
PLOT SCALE = 40,0000 ' / in.	CHECKED - SCC-18	REVISOR -
PLOT DATE = 2/12/2019	DATE - 2/12/2019	REVISOR -

**STATE OF ILLINOIS  
DEPARTMENT OF TRANSPORTATION**

**PAVEMENT MARKING DETAILS  
ILLINOIS ROUTE 13 AND ILLINOIS ROUTE 156**

SCALE: 40,0000 ' / in. SHEET 4 OF 5 SHEETS STA. TO STA.

F.A.P. RTE.	SECTION	COUNTY	TOTAL SHEETS	SHEET NO.
103	(27,25,38,56)RS	ST. CLAIR	87	49
CONTRACT NO. 76J16				
ILLINOIS FED. AID PROJECT				