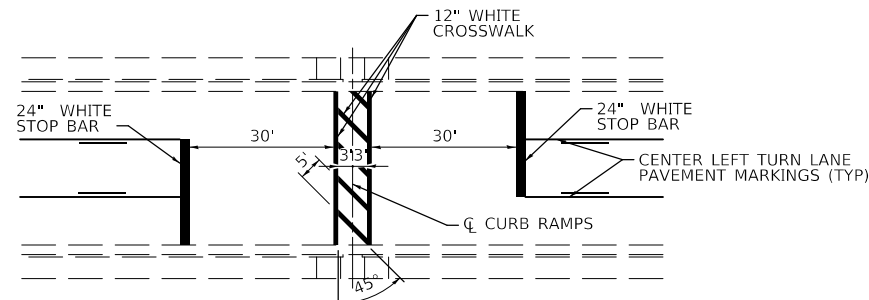
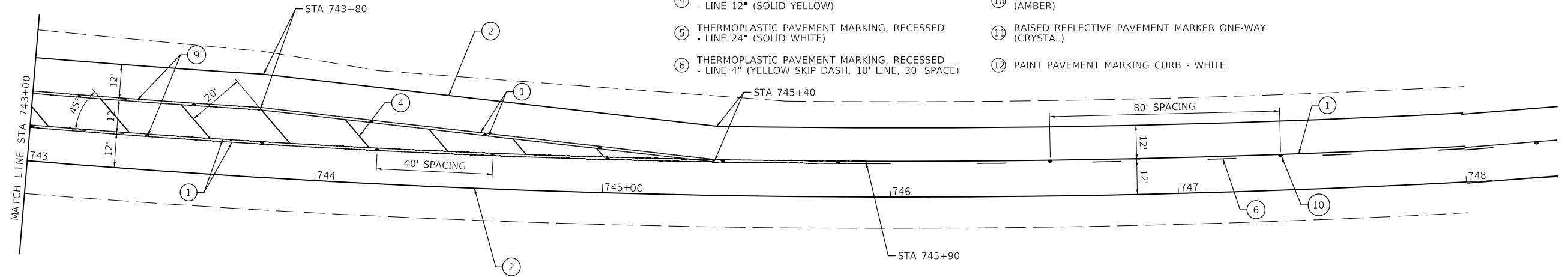
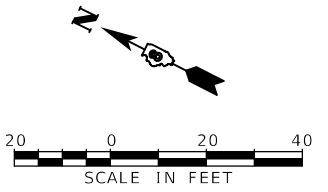
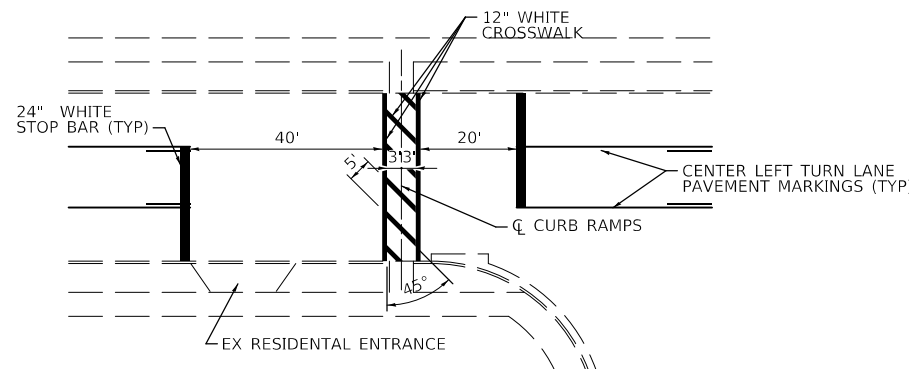


PAVEMENT MARKING LEGEND

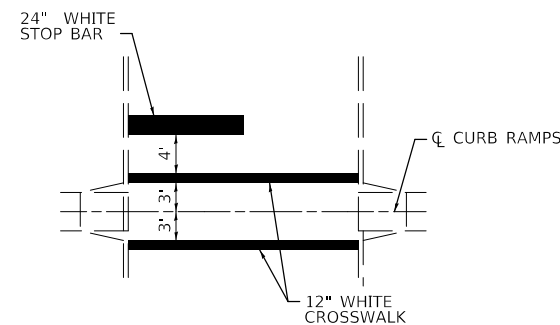
- ① THERMOPLASTIC PAVEMENT MARKING, RECESSED - LINE 4" (SOLID YELLOW)
- ② THERMOPLASTIC PAVEMENT MARKING, RECESSED - LINE 4" (SOLID WHITE)
- ③ THERMOPLASTIC PAVEMENT MARKING, RECESSED - LINE 12" (SOLID WHITE)
- ④ THERMOPLASTIC PAVEMENT MARKING, RECESSED - LINE 12" (SOLID YELLOW)
- ⑤ THERMOPLASTIC PAVEMENT MARKING, RECESSED - LINE 24" (SOLID WHITE)
- ⑥ THERMOPLASTIC PAVEMENT MARKING, RECESSED - LINE 4" (YELLOW SKIP DASH, 10' LINE, 30' SPACE)
- ⑦ THERMOPLASTIC PAVEMENT MARKING, RECESSED - LINE 4" (WHITE DOTTED, 2' LINE, 6' SPACE)
- ⑧ PREFORMED THERMOPLASTIC PAVEMENT MARKING, RECESSED - LETTERS AND SYMBOLS (SOLID WHITE)
- ⑨ RAISED REFLECTIVE PAVEMENT MARKER ONE-WAY (AMBER)
- ⑩ RAISED REFLECTIVE PAVEMENT MARKER TWO-WAY (AMBER)
- ⑪ RAISED REFLECTIVE PAVEMENT MARKER ONE-WAY (CRYSTAL)
- ⑫ PAINT PAVEMENT MARKING CURB - WHITE



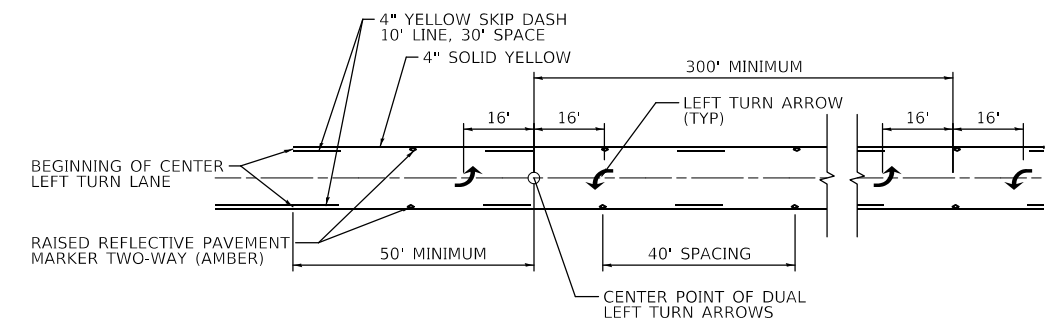
MID BLOCK CROSSING PAVEMENT MARKING DETAIL STA 379+40



MID BLOCK CROSSING PAVEMENT MARKING DETAIL STA 400+50



PEDESTRIAN CROSSWALK DETAIL



CENTER LEFT TURN LANE MARKING DETAIL

MODEL: Default
FILE NAME: 76J16 77-5th-RMK.dgn

USER NAME = gowens	DESIGNED - SCA-20	REVISED -
DRAWN - SCB-20	CHECKED - SCC-20	REVISED -
PLOT SCALE = 40,0000 ' / in.	DATE - 2/12/2019	REVISED -
PLOT DATE = 2/12/2019		

**STATE OF ILLINOIS
DEPARTMENT OF TRANSPORTATION**

PAVEMENT MARKING DETAILS ILLINOIS ROUTE 13 AND ILLINOIS ROUTE 157	
SCALE: 40,0000 ' / in.	SHEET 5 OF 5 SHEETS STA. TO STA.

F.A.P. RTE. 103	SECTION (27,25,38,561)RS	COUNTY ST. CLAIR	TOTAL SHEETS 87	SHEET NO. 50
			CONTRACT NO. 76J16	
		ILLINOIS	FED. AID PROJECT	