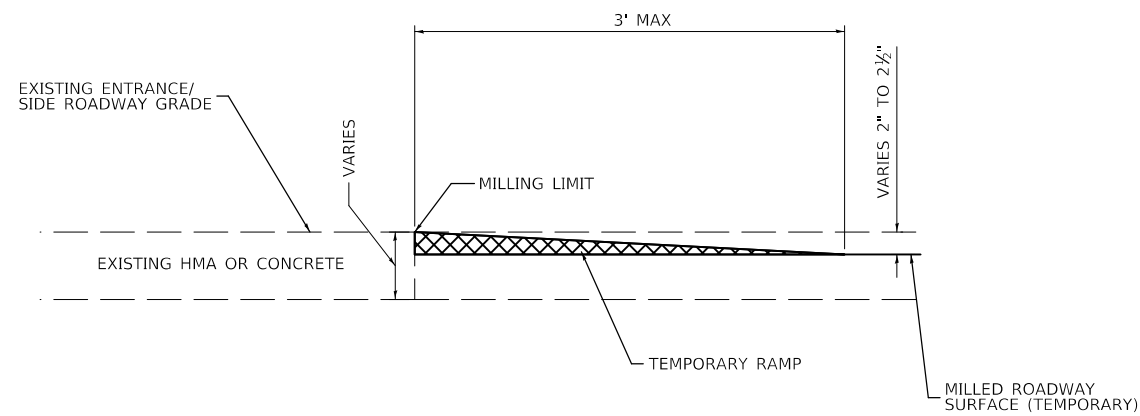
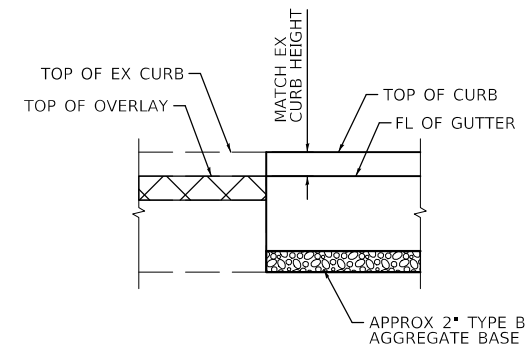


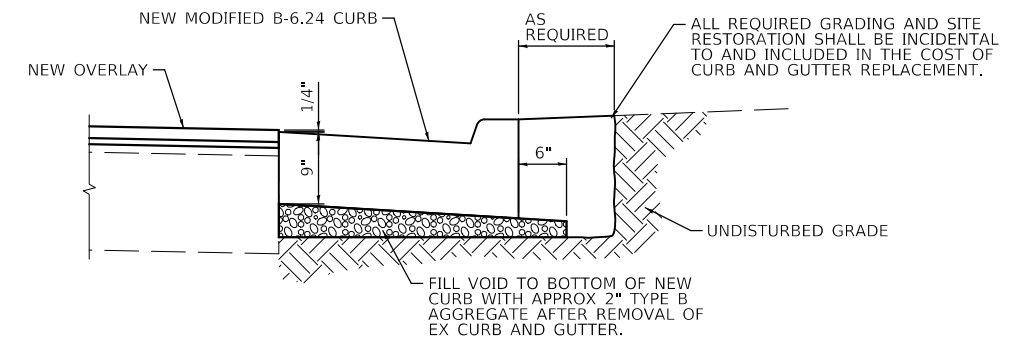
**TEMPORARY RAMP AND MILLING LIMITS DETAIL**



**TEMPORARY RAMP SECTION A-A**



**ELEVATION**



**MODIFIED TYPE B-6.24 CURB AND GUTTER**

MODEL: D:\m\116  
FILE NAME: 76J16 28-5ht-Details.dgn

USER NAME = gowens	DESIGNED - \$CA-19	REVISED -
PLOT SCALE = 10.0000 ' / in.	DRAWN - \$CB-19	REVISED -
PLOT DATE = 2/12/2019	CHECKED - \$CC-19	REVISED -
	DATE - 2/12/2019	REVISED -

**STATE OF ILLINOIS  
DEPARTMENT OF TRANSPORTATION**

**GENERAL DETAILS**

SCALE: 10.0000 ' / in. SHEET 1 OF 1 SHEETS STA. TO STA.

F.A.P. RTE.	SECTION	COUNTY	TOTAL SHEETS	SHEET NO.
103	(27,25,38,561)RS	ST. CLAIR	87	51
CONTRACT NO. 76J16			ILLINOIS FED. AID PROJECT	