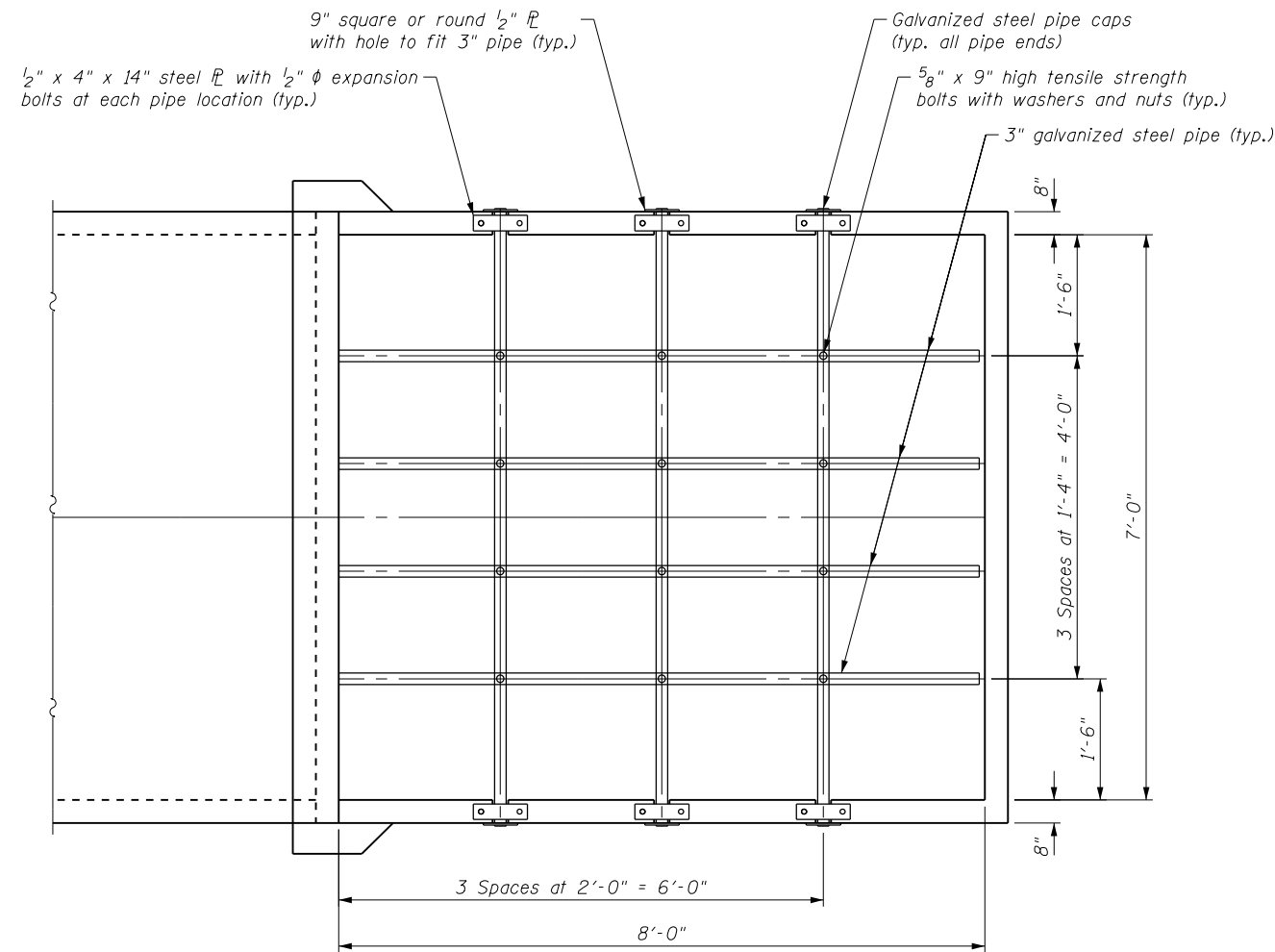
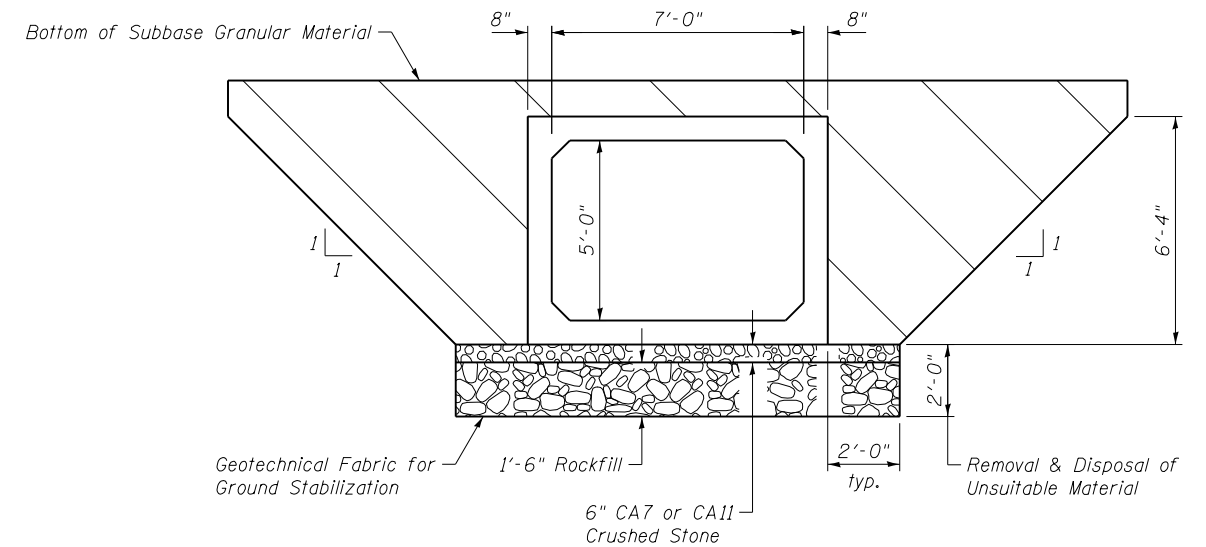


FILE NAME: c:\p\harrcom\ds\illinois\p\m\DOT\Documents\DOT\_Offices\District 4\Projects\0482502-68758-002-pipe-grate.dgn  
 c:\p\harrcom\ds\illinois\p\m\DOT\Documents\DOT\_Offices\District 4\Projects\0482502-68758-002-pipe-grate.dgn

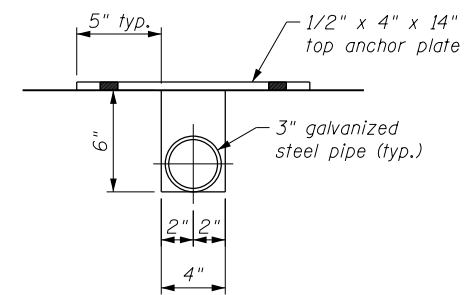


**PIPE GRATE PLAN VIEW**

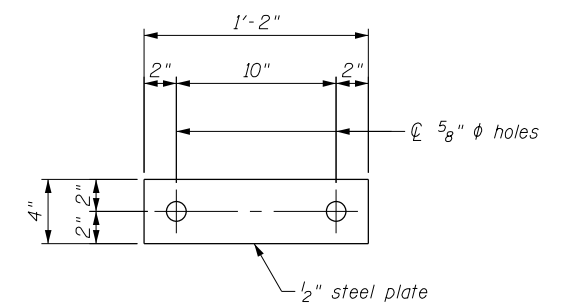


**SECTION THRU PRECAST CULVERT**

Note:  
 Hatched Area Indicates Width Limits of Porous Granular Embankment.  
 See Standard 540000-04 for Roadway Cross Section View.



**DETAIL A**



**TOP ANCHOR PLATE DETAIL**

**GENERAL NOTES**

Steel pipe shall conform to ASTM A53 (Type E or S) Grade B Schedule 40 and shall be galvanized conforming to ASTM A120.

Steel plate shall conform to AASHTO M-183 and shall be galvanized conforming to AASHTO M-111.

Bolts, nuts and washers shall be in accordance with Article 1006.08 of the Standard Specifications and shall be galvanized.

All materials and installation required for the Pipe Grate is included in the cost of Traversable Pipe Grate.

USER NAME = jacobsmr	DESIGNED - MCB	REVISED -
PLOT SCALE = 0:2.000000 '1' / 1in.	CHECKED -	REVISED -
PLOT DATE = 5/10/2019	DRAWN - CFC	REVISED -
	CHECKED - MCB	REVISED -

F.A.P. RTE.	SECTION	COUNTY	TOTAL SHEETS	SHEET NO.
22	48(I-B-1)BR(CR)	KNOX	94	54
CONTRACT NO. 68758				
ILLINOIS FED. AID PROJECT				