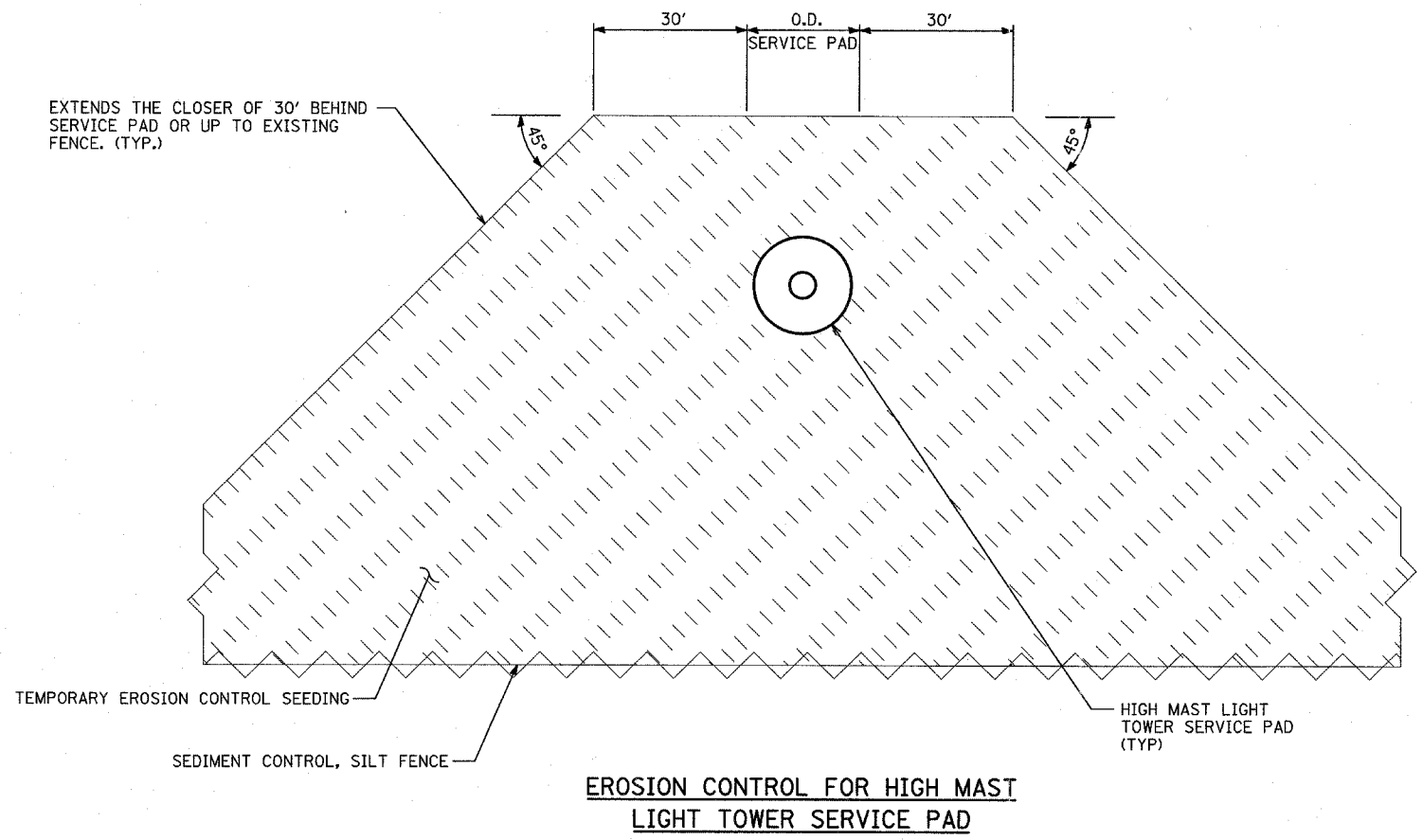


F.A.I. RTE.	SECTION	COUNTY	TOTAL SHEETS	SHEET NO.
94	2005-048 L	COOK	85	35
STA. -----		TO STA. -----		
FED. ROAD DIST. NO.	ILLINOIS	FED. AID PROJECT		

60A23



**NOTES:**

1. THE CONTRACTOR SHALL COORDINATE THE USE, REPAIR, AND REMOVAL OF ANY EXISTING EROSION CONTROL ITEMS FROM PREVIOUS CONTRACTS LOCATED WITHIN THE PROPOSED LIMITS OF THIS CONTRACT AT THE APPROVAL OF THE ENGINEER. HOWEVER, QUANTITIES FOR FULL REPLACEMENT OF ALL EROSION CONTROL ITEMS HAVE BEEN INCLUDED IF NECESSARY.
2. THE CONTRACTOR SHALL ONLY MOVE EXISTING EROSION CONTROL ITEMS WITH THE PERMISSION OF THE ENGINEER.

**TYLIN** INTERNATIONAL

REVISIONS	
NAME	DATE
REVISED	06/20/07

ILLINOIS DEPARTMENT OF TRANSPORTATION  
F.A.I. 94 (DAN RYAN EXPRESSWAY)  
I-57 to 71st STREET  
**EROSION CONTROL DETAILS**

SCALE: NO SCALE  
DATE: JANUARY 9, 2007  
DRAWN BY: CBS  
CHECKED BY: TGB