

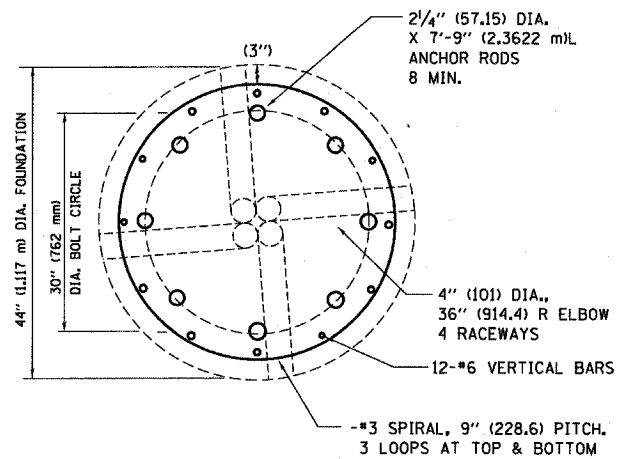
F.A. RTE.	SECTION	COUNTY	TOTAL SHEETS	SHEET NO.
			85	63
STA.		TO STA.		
FED. ROAD DIST. NO.		ILLINOIS FED. AID PROJECT		

**LIGHT TOWER FOUNDATION DEPTH "D"**

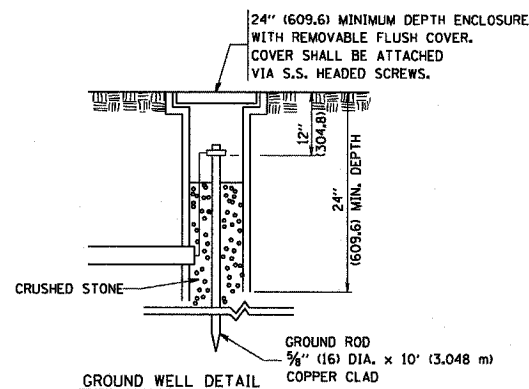
MOUNTING HEIGHT	SOIL CONDITIONS					
	SOFT CLAY Qu = 0.375 TON/SQ. FT	MEDIUM CLAY Qu = 0.75 TON/SQ. FT	STIFF CLAY Qu = 1.50 TON/SQ. FT	LOOSE SAND φ = 34°	MEDIUM SAND φ = 37.5°	DENSE SAND φ = 40°
90 FT (27m)	29 FT (8.779m)	20 FT (6.035m)	15 FT (4.389m)	15 FT (4.389m)	13 FT (3.840m)	12 FT (3.429m)
100 FT (30m)	32 FT (9.754m)	22 FT (6.706m)	16 FT (4.877m)	16 FT (4.877m)	14 FT (4.267m)	13 FT (3.81m)
110 FT (33m)	35 FT (10.719m)	24 FT (7.377m)	18 FT (5.365m)	18 FT (5.365m)	15 FT (4.694m)	14 FT (4.191m)
120 FT (36m)	38 FT (11.705m)	26 FT (8.046m)	19 FT (5.652m)	19 FT (5.652m)	17 FT (5.120m)	16 FT (4.572m)

**DESIGN NOTES**

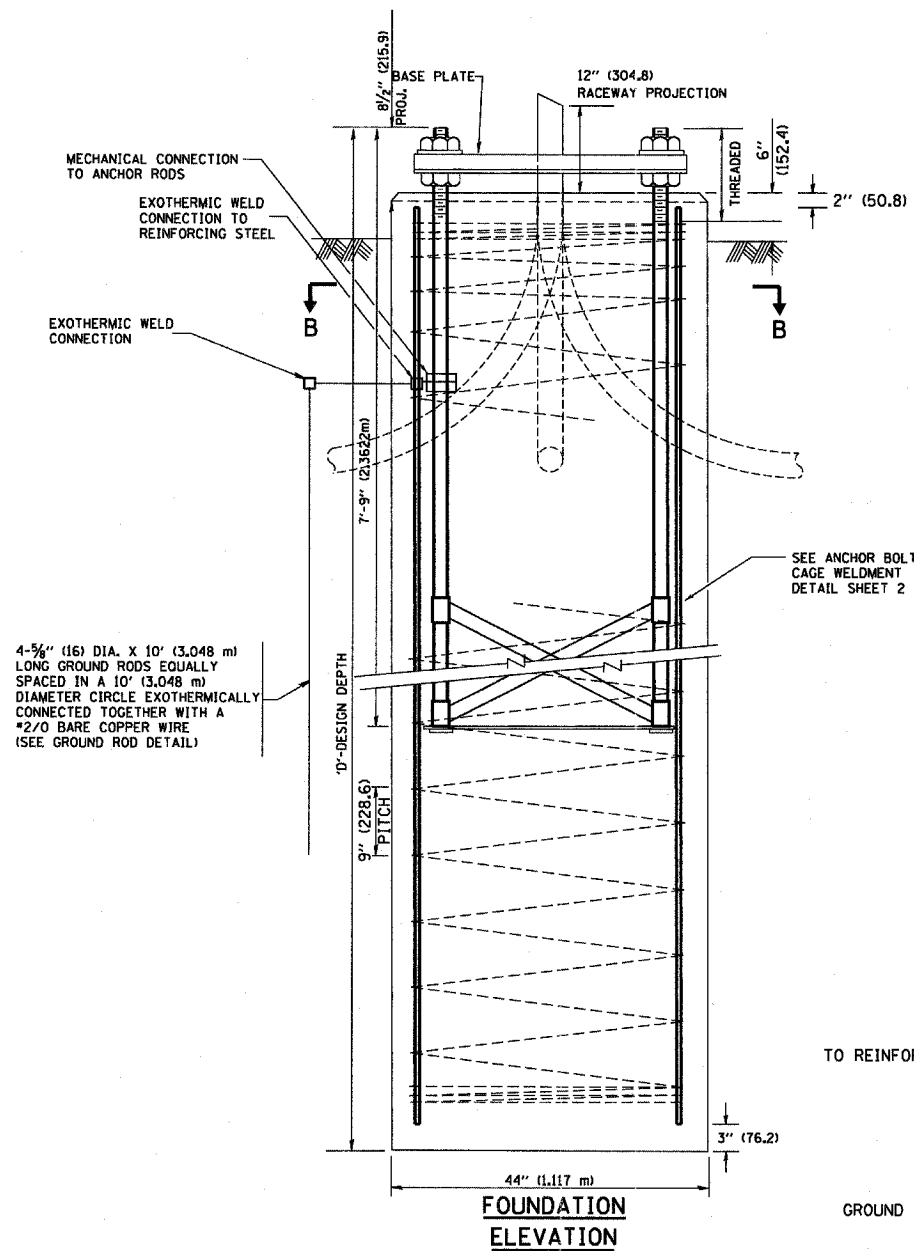
- (1) ALL DIMENSIONS IN INCHES (MILLIMETERS) UNLESS OTHERWISE SHOWN
- (2) THE ANCHOR RODS SHALL BE VERTICAL NO ADJUSTMENT SHALL BE ALLOWED AFTER THE FOUNDATION IS PLACED.
- (3) THE GAP BETWEEN THE FOUNDATION AND THE BASE PLATE SHALL BE ENCLOSED WITH A STAINLESS STEEL SCREEN FASTENED WITH A STAINLESS STEEL BAND.
- (4) THE TOP OF THE FOUNDATION TO 18" (450) BELOW GRADE SHALL BE FORMED.
- (5) SURFACE WATER WILL NOT BE PERMITTED TO ENTER THE HOLE AND ALL WATER WHICH MAY HAVE INFILTRATED INTO THE HOLE SHALL BE REMOVED BEFORE PLACING CONCRETE.
- (6) THE LIGHT TOWER SHALL NOT BE ERECTED UNTIL AFTER THE CONCRETE HAS BEEN CURED ACCORDING TO ARTICLE 1020.13.
- (7) ANCHOR RODS SHALL BE STRAIGHT AND SHALL BE ACCORDING TO AASHTO M 314 OR ASTM F1554, GRADE 75 (GRADE 105) AND GALVANIZED ACCORDING TO ARTICLE 1006.9.
- (8) ANCHOR ROD INFORMATION SHALL BE SUBMITTED FOR APPROVAL AND SHALL BE FULLY COORDINATED FOR APPROVAL WITH TOWER MANUFACTURER REQUIREMENTS.
- (9) REINFORCEMENT BARS SHALL BE ACCORDING TO ARTICLE 1006.10
- (10) TWO ANCHOR RODS OPPOSITE EACH OTHER SHALL HAVE THE ANCHOR ROD THREADS PEENED AFTER NUTS ARE INSTALLED.



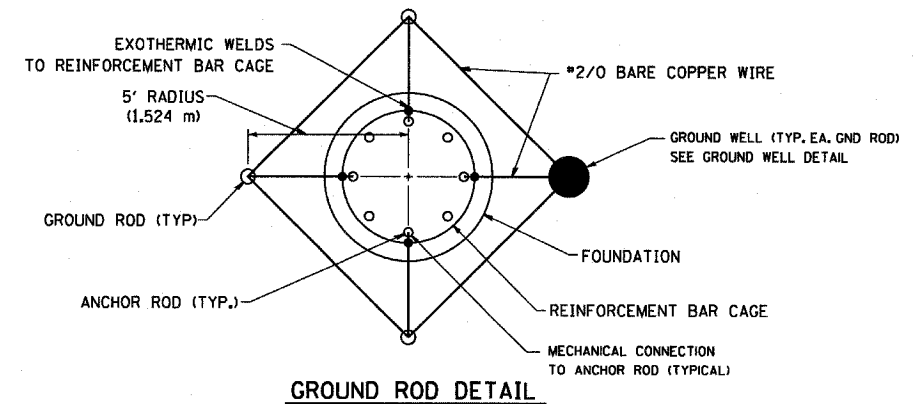
**SECTION-B-B**



**GROUND WELL DETAIL**



**FOUNDATION ELEVATION**



**GROUND ROD DETAIL**

PLOT DATE = 1/18/2007  
 FILE NAME = c:\pvc\projects\data\60a13\60a13.dgn  
 PLOT SCALE = 50.0000' / IN.  
 USER NAME = greg1000

REVISIONS	
NAME	DATE

ILLINOIS DEPARTMENT OF TRANSPORTATION  
**HIGH MAST LIGHT TOWER**  
 90FT TO 120FT (27m TO 36m)  
 FOUNDATION DETAIL  
 SHEET 1 OF 2

SCALE: VERT.  
 HORIZ.  
 DATE: 1/18/2007

DRAWN BY  
 CHECKED BY  
 BE08 (BE501)

REVISION DATE: 01/01/07