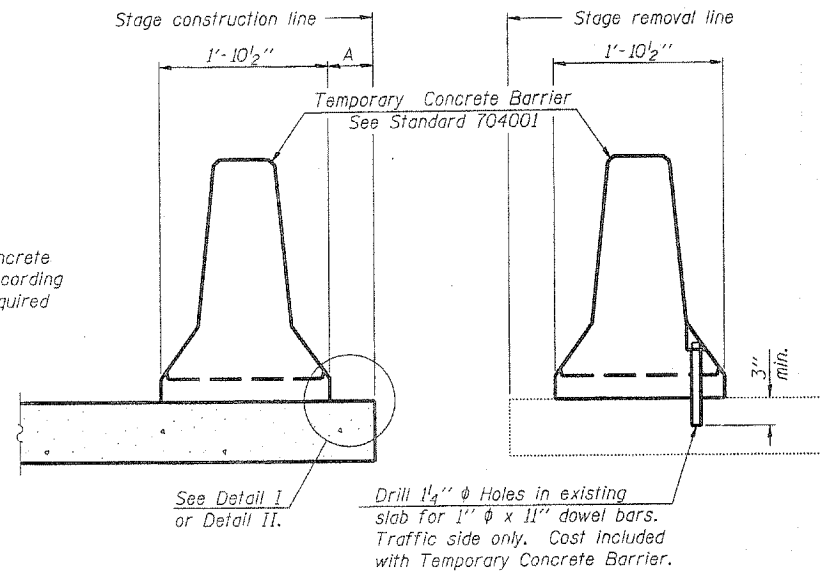


STATE OF ILLINOIS  
DEPARTMENT OF TRANSPORTATION

ROUTE NO.	SECTION	COUNTY	SHEETS	SHEET NO.
SA 13	X	Kane	27	10
FED. ROAD DIST. NO. 7	ILLINOIS	FED. AID PROJECT		

Contract # 60B81 X 49 BR-1

When "A" is 3'-6" or less, the temporary concrete barrier shall be anchored to the new slab according to Detail I or Detail II. No anchorage is required when "A" is greater than 3'-6".



NEW SLAB

EXISTING SLAB

SECTIONS THRU SLAB

NOTES

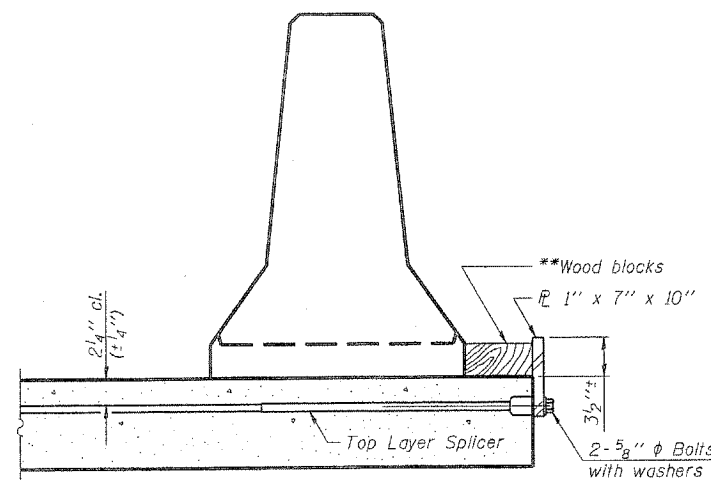
Detail I - With Bar Splicer or Couplers:

Connect one (1) 1"x7"x10" steel  $\bar{r}$  to the top layer of couplers with 2-5/8"  $\phi$  bolts screwed to coupler at approximate  $\bar{c}$  of each barrier panel.

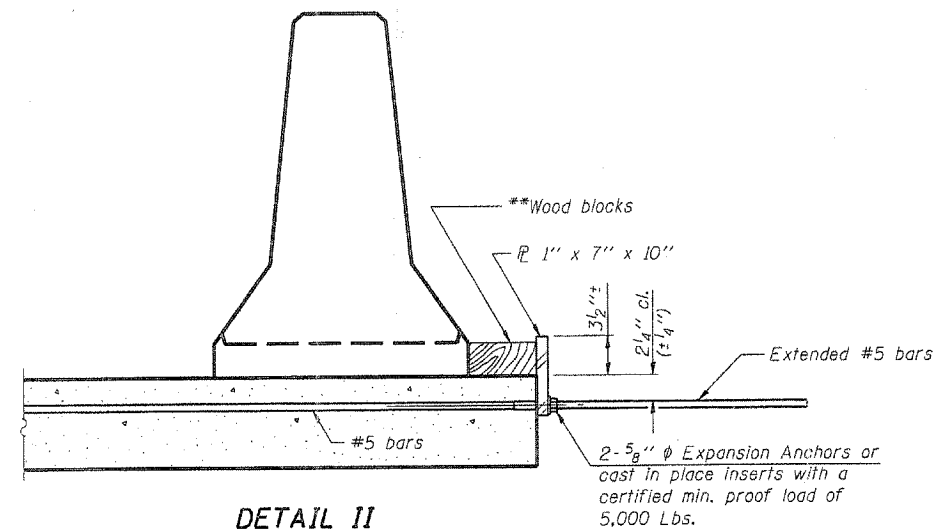
Detail II - With Extended Reinforcement Bars:

Connect one (1) 1"x7"x10" steel  $\bar{r}$  to the concrete slab with 2-5/8"  $\phi$  Expansion Anchors or cast in place inserts spaced between the top layer of reinforcement at approximate  $\bar{c}$  of each barrier panel.

Cost of anchorage is included with Temporary Concrete Barrier. The 1" x 7" x 10" plate shall not be removed until stage II construction forms and all reinforcement bars are in place and the concrete is ready to be placed.

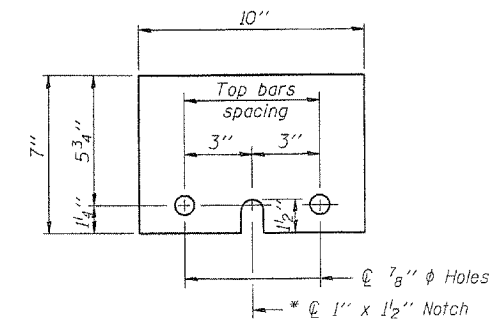


DETAIL I



DETAIL II

\*\* Wood blocks may be omitted when required to provide minimum stage traffic lane width. When the wood blocks are omitted, the concrete barrier shall be in direct contact with the steel retainer plate.



STEEL RETAINER  $\bar{r}$  1" x 7" x 10"

\* Required only with Detail II

TEMPORARY CONCRETE BARRIER  
S.A. 13 (IL RTE. 25)  
OVER NORTON CREEK  
S.A. RTE. 13 (F.A.S. 106)  
KANE COUNTY, STA. 61+92.50  
STRUCTURE NO. 045-0045

DESIGNED	DDB
CHECKED	LLV
DRAWN	MGM
CHECKED	DDB

EXAMINED	200
PASSED	ENGINEER OF BRIDGE DESIGN
	ENGINEER OF BRIDGES AND STRUCTURES

R-27

11-1-06

**STS Consultants**  
111 NE Jefferson Ave.  
Peoria, Illinois 61602  
Ph (309) 676-8464  
FAX (309) 676-5445  
IL Design Firm Reg. No. 184-001518