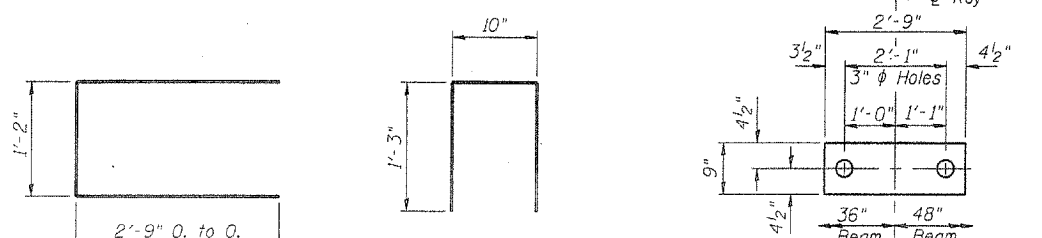


STATE OF ILLINOIS
DEPARTMENT OF TRANSPORTATION

ROUTE NO.	SECTION	COUNTY	SHEETS	SHEET	SHEET NO.
SA 13	13	Kane	27	11	10 - SHEETS
FED. ROAD DIST. NO. 7		ILLINOIS		FED. AID PROJECT	

Contract # 60B81 * 49 B2-1

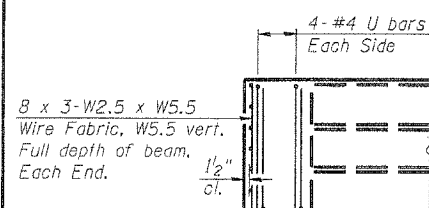


BAR U

D(E) BAR

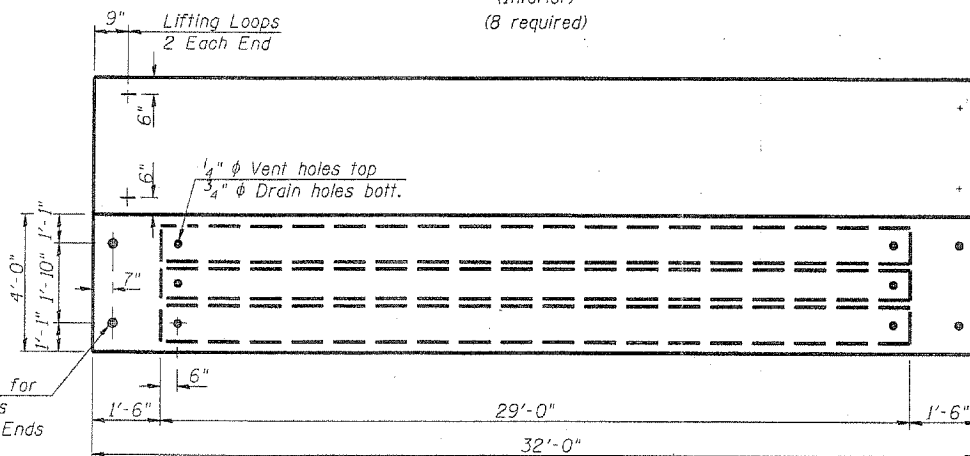
FABRIC BEARING PAD
36" & 48" BEAMS

(Interior)
(8 required)



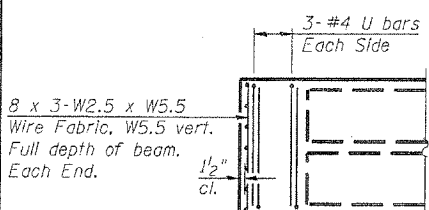
END PLAN

2" ϕ Holes for
Dowel Rods
Typ. Both Ends



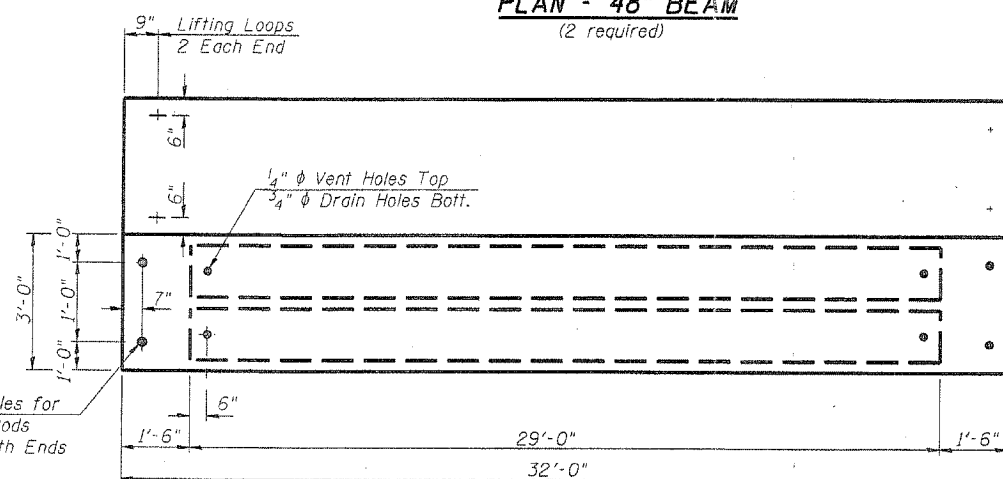
PLAN - 48" BEAM

(2 required)



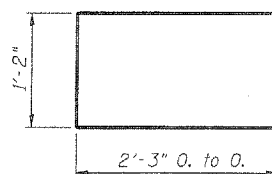
END PLAN

2" ϕ Holes for
Dowel Rods
Typ. Both Ends

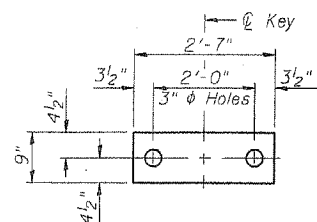


PLAN - 36" BEAM

(28 required)

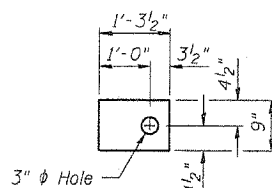


BAR U



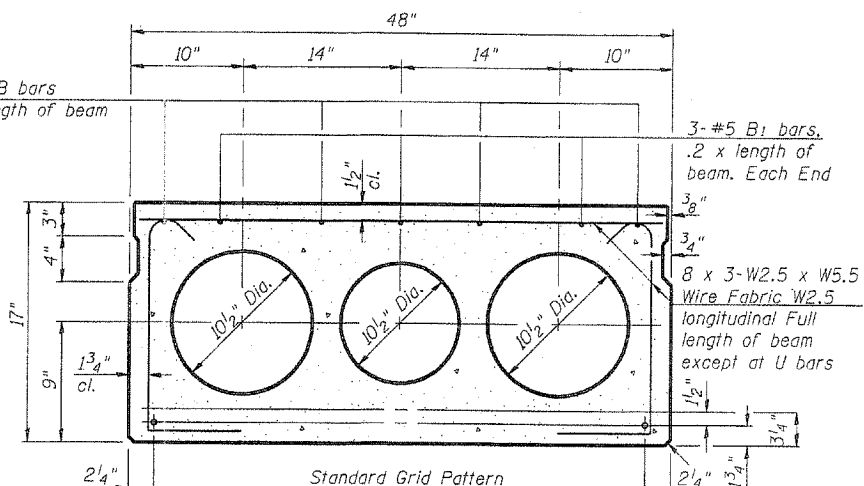
FABRIC BEARING PAD
36" BEAM

(Interior)
(48 required)



FABRIC BEARING PAD
36" BEAM

(Exterior)
(8 required)



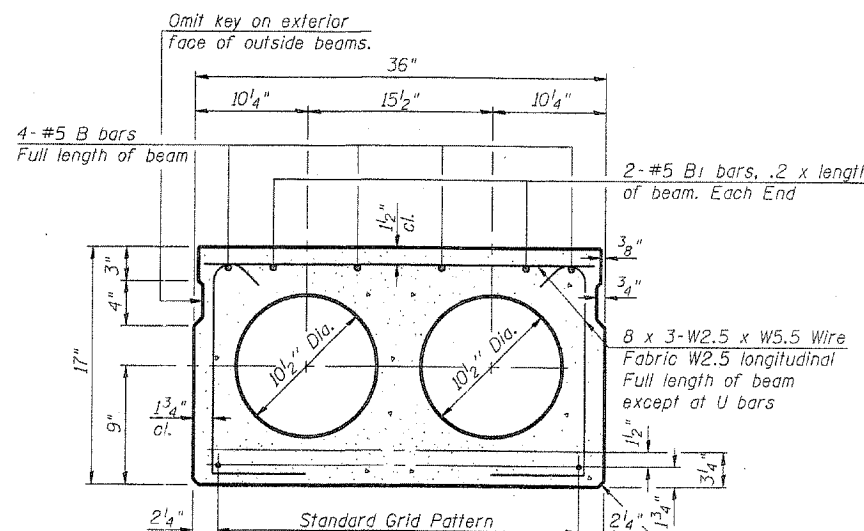
TYPICAL SECTION - 48" BEAM

12 - 1/2" ϕ Strands, Each Strand Stressed to 30,900 Lbs.
8-Strands 1 3/4" up, 4-Strands 3/4" up

Note: Place strands symmetrically about ϕ of beam.

BILL OF MATERIAL - 48" BEAM

Item	Unit	Quantity
Precast Prestressed Conc. Deck Bms. (17")	Sq. Ft.	256



TYPICAL SECTION - 36" BEAM

9 - 1/2" ϕ Strands, Each Strand Stressed to 30,900 Lbs.
5-Strands 1 3/4" up, 4-Strands 3/4" up

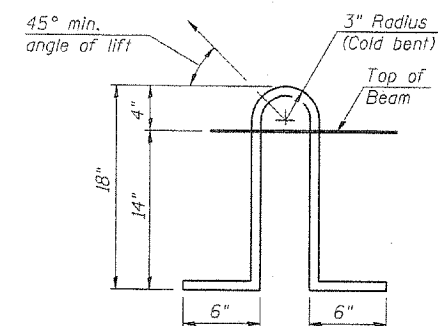
Note: Place strands symmetrically about ϕ of beam.

BILL OF MATERIAL - 36" BEAM

Item	Unit	Quantity
Precast Prestressed Conc. Deck Bms. (17")	Sq. Ft.	2688

NOTES

- Prestressing steel shall be uncoated high strength, low relaxation 7-wire strand, Grade 270.
- The nominal diameter shall be 1/2" and the nominal cross-sectional area shall be 0.153 sq. in.
- Lifting loops shall be 2-1/2" ϕ -270 ksi strands, as shown.
- Non prestressing steel shall conform to ASTM A706 GR 60 (IL Modified). See special provisions.
- The bearing seat surfaces shall be adjusted by shimming to assure firm and even bearing. Two 1/2" fabric adjusting shims of the dimensions of the Exterior Bearing Pad shall be provided for each bearing.
- Keyway surfaces shall be cleaned to remove form oil or other bond breaking material prior to shipment of the beams. Cleaning shall be done by sandblasting the keyway areas between top of the beam and the bottom edge of the key.
- Corrosion inhibitor, as covered in the Special Provisions, shall be used in the concrete for precast prestressed concrete deck beams.
- Required Release Strength, f'ci, shall be 4,000 p.s.i.
- See Sht. 7 of 10 and Sht. 8 of 10 for D(E) bars and Rail Post Anchor devices cast into exterior beams.



LIFTING LOOP DETAIL

SUPERSTRUCTURE DETAILS

17" DECK BEAMS

S.A. 13 (IL RTE. 25)

OVER NORTON CREEK

S.A. RTE. 13 (F.A.S. 106)

KANE COUNTY, STA. 61+92.50

STRUCTURE NO. 045-0045

