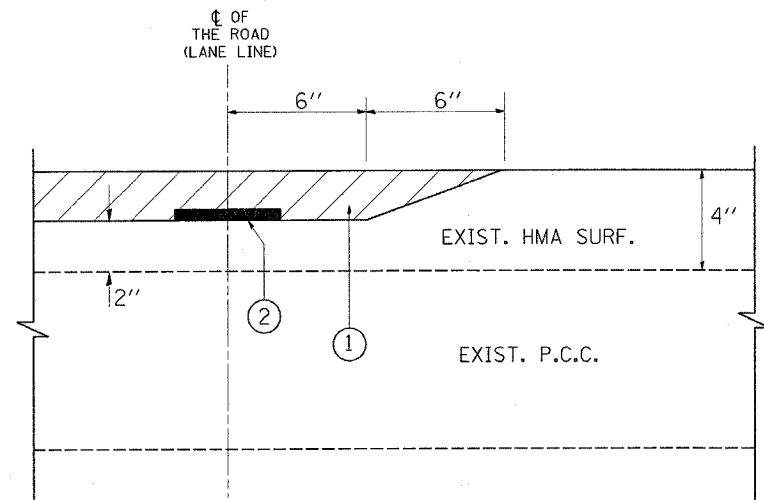


F.A.P. RTE.	SECTION	COUNTY	TOTAL SHEETS	SHEET NO.
332	*	COOK	52	9
STA.	TO STA.			
FED. ROAD DIST. NO.	ILLINOIS	FED. AID PROJECT		

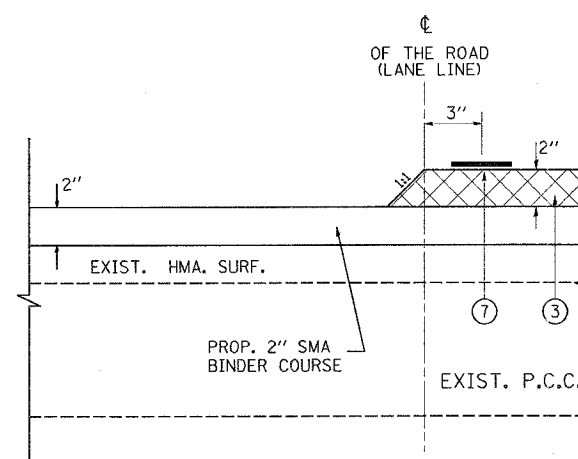
* (0101, 0203B & 0303) RS-10

MILLING DETAIL



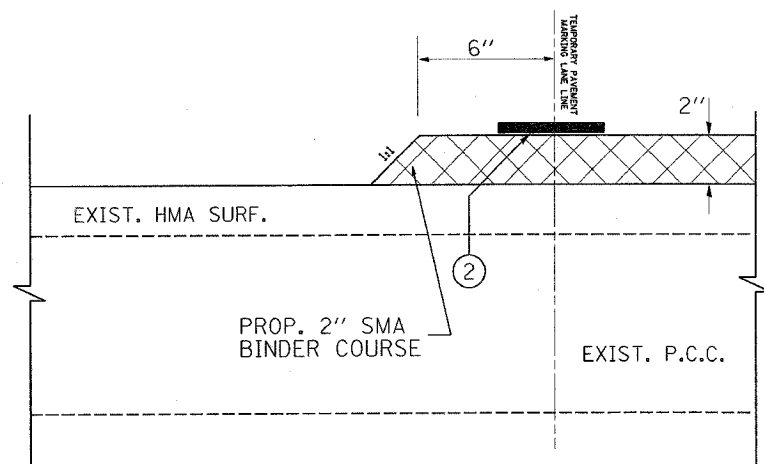
DETAIL 'A' (TYPICAL)

PAVING DETAILS

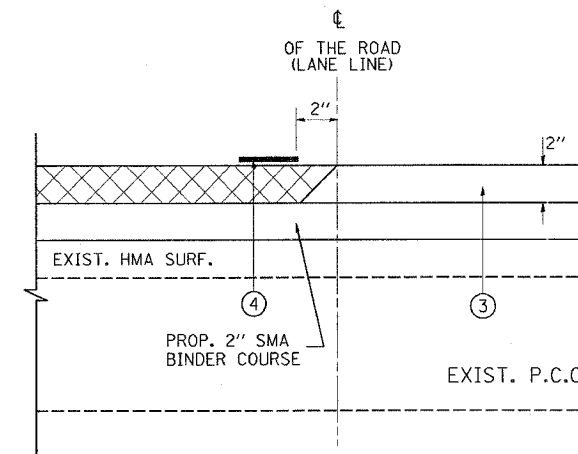


DETAIL 'C' (TYPICAL)

PAVING DETAILS



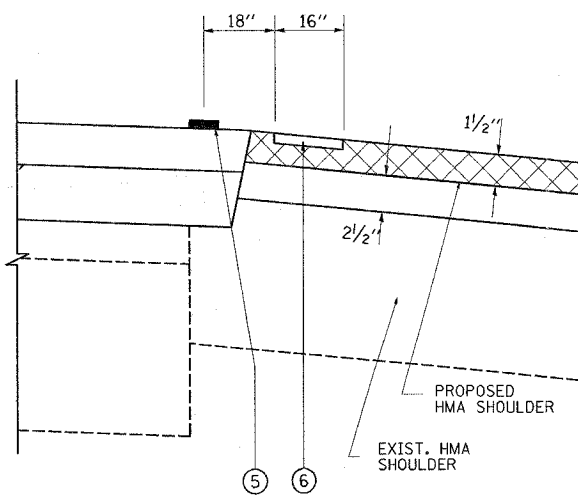
DETAIL 'B' (TYPICAL)



DETAIL 'D' (TYPICAL)

LEGEND FOR DETAILS A, B, C & D

- ① PROPOSED HOT-MIX ASPHALT SURFACE REMOVAL, 2"
- ② PROPOSED TEMPORARY PAVEMENT MARKING, LINE 5"
- ③ PROPOSED SMA SURFACE COURSE, 2"
- ④ PROPOSED THERMOPLASTIC PAVEMENT MARKINGS, LINE 5"
- ⑤ PROPOSED THERMOPLASTIC PAVEMENT MARKING, LINE 4"
- ⑥ PROPOSED RUMBLE STRIP ON SHOULDER
- ⑦ TEMPORARY PAVEMENT MARKING, 5" , 10' - 30' (SKIP - DASH)



DETAIL 'E' (TYPICAL)

GENERAL NOTES - TRAFFIC CONTROL

1. THE CONTRACTOR SHALL PLACE AND MAINTAIN DRUMS WITH MONO-DIRECTIONAL STEADY BURNING LIGHTS AT 100-FOOT C-C ON THE SHOULDER ADJACENT TO MILLED AREAS. DRUMS WILL REMAIN IN PLACE UNTIL THE PROPOSED SURFACE HAS BEEN PLACED AND EDGE LINES HAVE BEEN INSTALLED.
2. AT THE END OF EACH NIGHTLY SHIFT, THE CONTRACTOR SHALL SWEEP THE PAVEMENT SURFACE CLEAN, PLACE TEMPORARY PAVEMENT MARKING AND REMOVE TRAFFIC CONTROL FOR LANE CLOSURE.
3. ALL DRAINAGE WORK SHOWN IN THE PLANS CAN BE ACCOMPLISHED WITH DAYTIME SHOULDER CLOSURES.
4. DRUMS SHALL NOT BE PLACED IN THE LANE WHICH IS OPEN TO TRAFFIC. THE CONTRACTOR SHALL USE ONE FOOT WIDE VERTICAL BARRICADES WITH STEADY BURN LIGHTS ALONG THE MILLING AND PAVING OPERATIONS. DRUMS OR TYPE II BARRICADES SHALL BE USED TO DELINEATE ALL OPEN RAMPS THROUGH THE WORK ZONE.
5. THE MILLING REQUIRED TO PLACE A TAPER BETWEEN LANES (SEE DETAILS A, B, C AND D) WILL BE INCLUDED IN THE COST OF HOT-MIX ASPHALT SURFACE REMOVAL 2".
6. GRADE DIFFERENTIAL BETWEEN PAVED LANES SHALL NOT EXCEED 2".

W8-11
48x48



REVISIONS	
NAME	DATE

ILLINOIS DEPARTMENT OF TRANSPORTATION
IL. ROUTE 394
SUGGESTED SEQUENCE OF
OPERATIONS, DETAILS & GENERAL
NOTES-TRAFFIC CONTROL

SCALE: NONE
DATE 8/3/2007
DRAWN BY
CHECKED BY