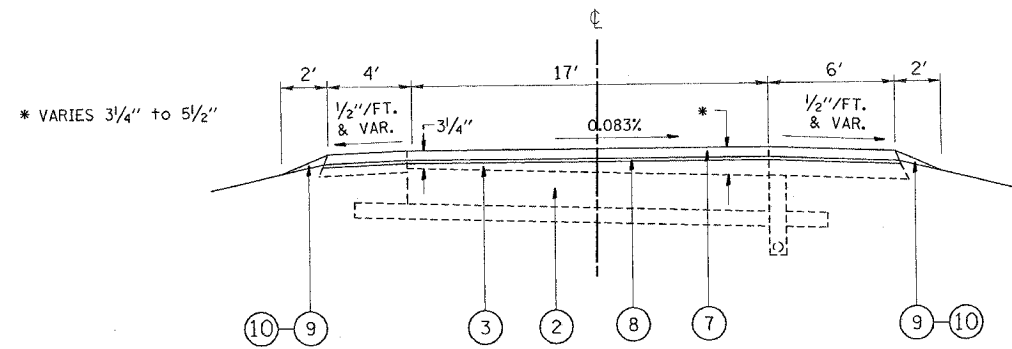


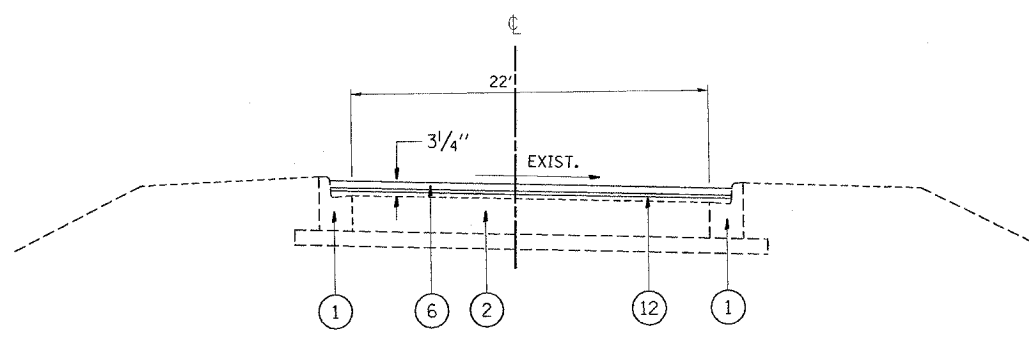
F.A.P. RTE.	SECTION	COUNTY	TOTAL SHEETS	SHEET NO.
332	*	COOK	54	29

STA.	TO STA.
FED. ROAD DIST. NO. 1	ILLINOIS HIGHWAY PROJECT

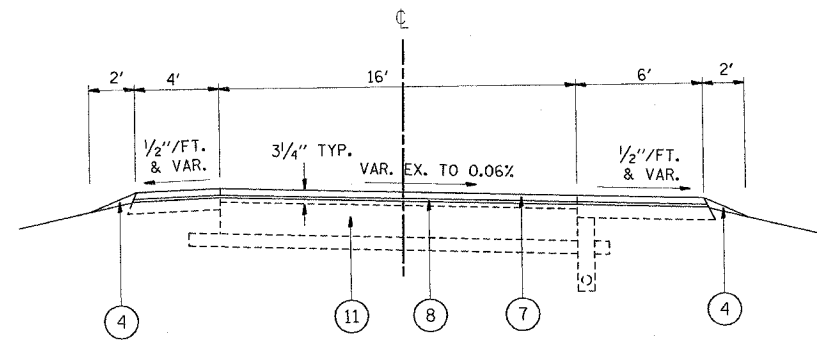
• (0101, 0203B & 0303) RS-10



PROP. TYPICAL SECTION
 RAMP B: STA. 2+10 TO STA. 11+00
 RAMP F: STA. 1+90 TO STA. 11+25
 RAMP E: STA. 2+36 TO STA. 15+31



PROP. TYPICAL SECTION
 RAMP H : STA 40+00 TO STA 49+00



PROP. TYPICAL SECTION
 RAMP H : STA 49+00 TO STA 54+15
 RAMP E : STA 10+32 TO STA 15+12

LEGEND

- ① EXIST. CURB AND GUTTER
- ② EXIST. 10" CRC PAVEMENT
- ③ EXIST. HOT-MIX ASPHALT BINDER COURSE (AFTER MILLING), 1 3/4" & VARIES
- ④ EXIST. AGGREGATE SHOULDER TYPE A, 8"
- ⑤ EXIST. PCC BASE COURSE, 10"
- ⑥ PROP. HOT-MIX ASPHALT SURFACE REMOVAL, 2 1/4"
- ⑦ PROP. HOT-MIX ASPHALT SURFACE COURSE, MIX "D", N70, 1 1/2"
- ⑧ PROP. POLYMERIZED LEVELING BINDER, IL-4.75, N50, 3/4"
- ⑨ PROP. AGGREGATE WEDGE SHOULDER, TYPE B
- ⑩ PROP. GRADING AND SHAPING SHOULDER

REVISIONS	
NAME	DATE

ILLINOIS DEPARTMENT OF TRANSPORTATION
 FAP 332: IL 394
 EXISTING TYPICAL SECTIONS
 RAMPS B,F,E&H
 SCALE: N.T.S. DRAWN BY