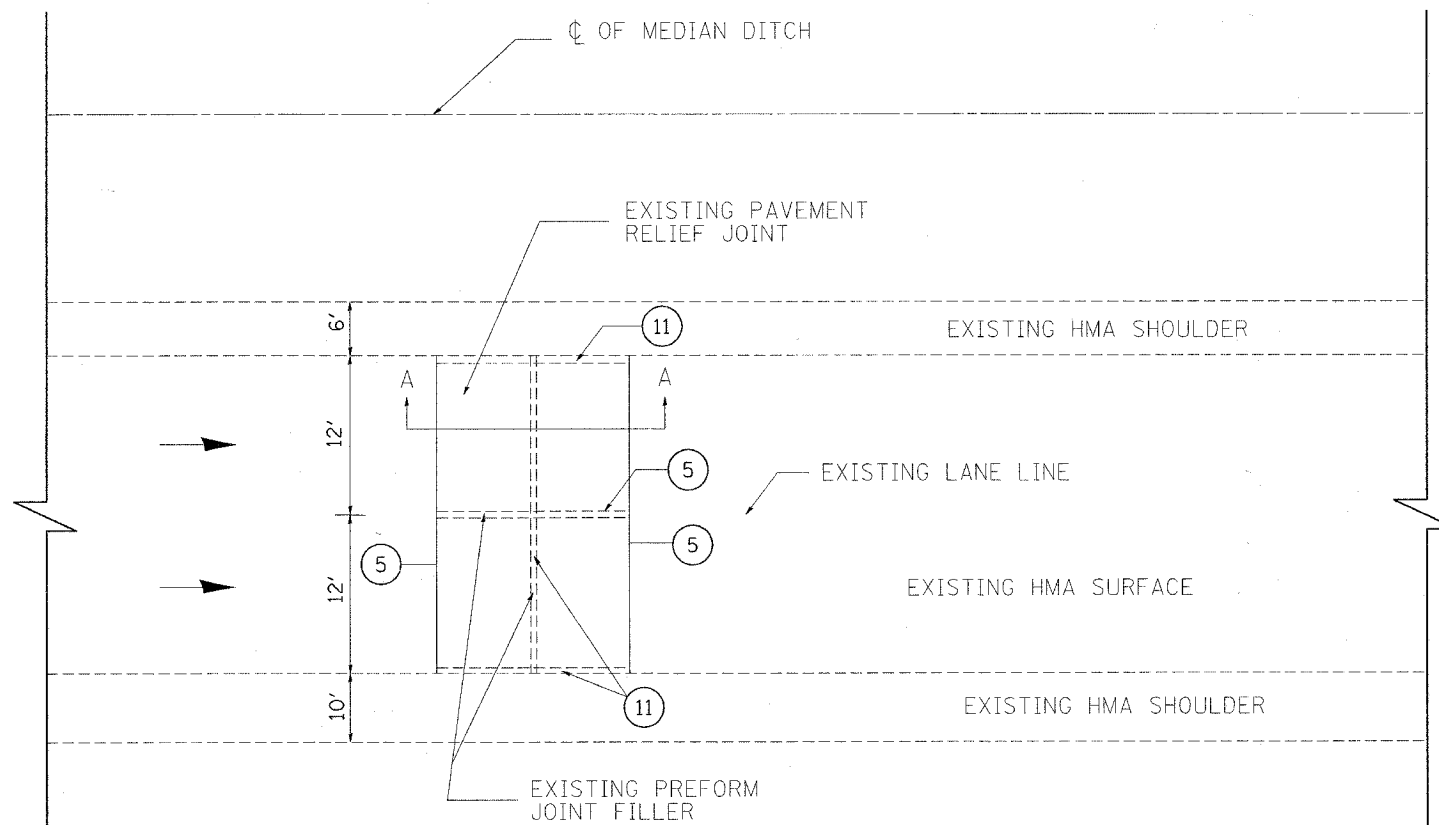


F.A.P. RTE.	SECTION	COUNTY	TOTAL SHEETS	SHEET NO.
332	•	COOK	54	31
STA.		TO STA.		
FED. ROAD DIST. NO. 1		ILLINOIS	FED. AID PROJECT	

• (0101,0203B & 0303) RS-10

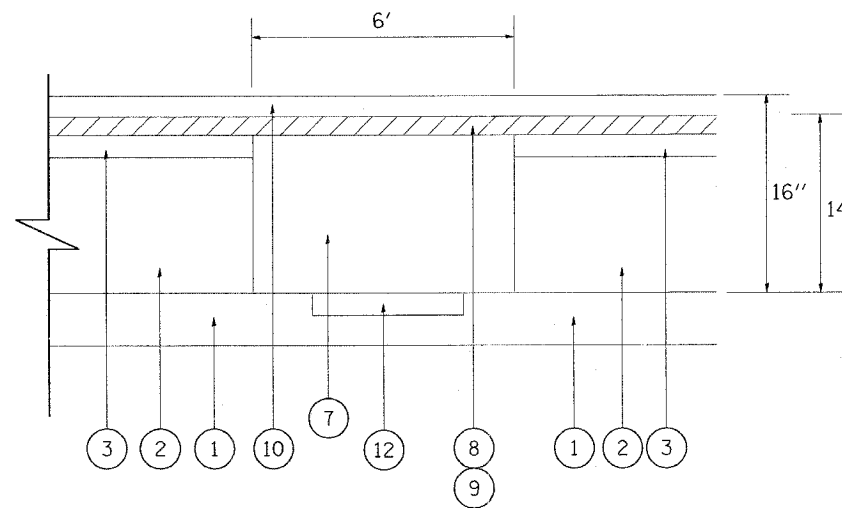
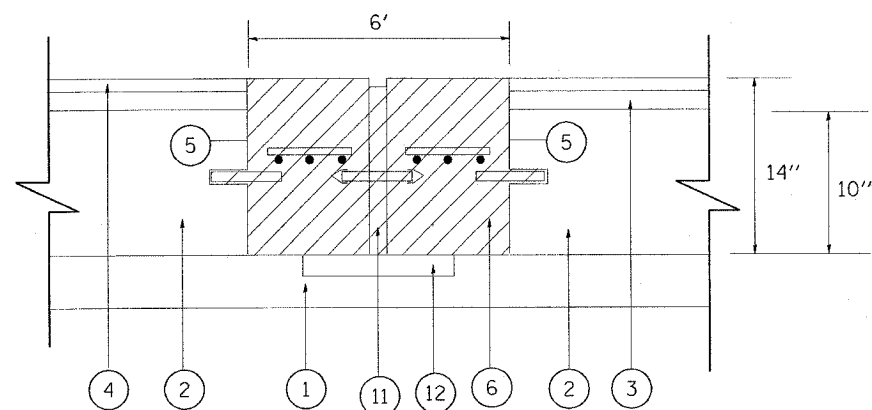


LEGEND

- ① EXISTING SUB-BASE
- ② EXISTING P.C.C. PAVEMENT, 10"
- ③ EXISTING HOT-MIX ASPHALT CONCRETE BINDER COURSE, 2"
- ④ EXISTING HOT-MIX ASPHALT SURFACE COURSE, 2"
- ⑤ SAW CUT (FULL DEPTH)
- ⑥ EXISTING PAVEMENT RELIEF JOINT REMOVAL
- ⑦ PROPOSED CLASS D PATCHES, 16 INCH
- ⑧ PROPOSED HOT-MIX ASPHALT SURFACE REMOVAL, 2"
- ⑨ PROPOSED STONE MATRIX ASPHALT, BINDER COURSE, 2"
- ⑩ PROPOSED STONE MATRIX ASPHALT, SURFACE COURSE, 2"
- ⑪ WHEEL SAW CUT
- ⑫ SLEEPER SLAB (NOT TO BE REMOVED OR DAMAGED)

NOTE:

THIS WORK IS TO BE COMPLETED BEFORE MILLING OF ROADWAY



REVISIONS	
NAME	DATE

ILLINOIS DEPARTMENT OF TRANSPORTATION
IL. ROUTE 394
PAVEMENT RELIEF JOINT
REMOVAL AND REPLACEMENT (TYPICAL)

SCALE: VERT. NONE
HORIZ. DATE 8/6/2007

DRAWN BY
CHECKED BY