

F.A.P. RTE.	SECTION	COUNTY	TOTAL SHEETS	SHEET NO.
301	(2)HB-2, 2)HB-1)D	WINNEBAGO	107	11
STA.		TO STA.		
FED. ROAD DIST. NO.		ILLINOIS	FED. AID PROJECT	

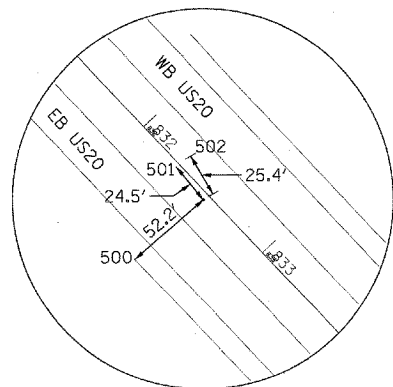
EXISTING HORIZONTAL AND VERTICAL CONTROL

HORIZONTAL CONTROL POINT

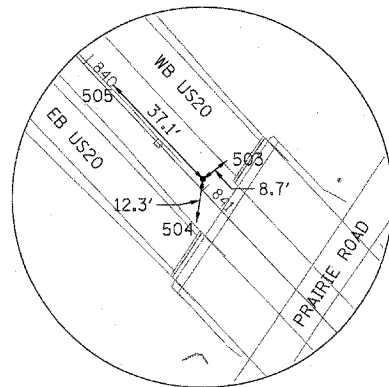
Point#	North(Y)	East(X)	Elev(Z)	Station	Offset	Description
1	2026796.1010	2577866.6320	770.0870	832+54.2466	3.9457	TOPO SURVEY POINT, PIN
2	2026181.9620	2578448.1190	764.6190	840+99.9874	-0.1024	TOPO SURVEY POINT, PIN
3	2025653.2160	2578946.8690	758.0010	848+26.8433	-2.2133	TOPO SURVEY POINT, PIN
4	2024863.6570	2579727.9870	738.1380	859+31.2896	56.7285	TOPO SURVEY POINT, PIN
5	2024264.2120	2581116.4260	731.8370	874+31.0901	56.7519	TOPO SURVEY POINT, PIN
6	2024177.8740	2582086.6570	741.7640	883+94.4031	58.5759	TOPO SURVEY POINT, PIN
21	2035947.8670	2573078.8440	800.5590	728+73.0612	61.2337	TOPO SURVEY POINT, PIN
23	2025982.1260	2578397.0200	748.8460	842+10.7990	173.8698	TOPO SURVEY POINT, NAIL
27	2026100.2640	2578526.8230	741.0960	842+13.4183	-1.6254	TOPO SURVEY POINT, CHISELED X
28	2026171.6370	2578526.1760	739.3400	841+60.9141	-49.9766	TOPO SURVEY POINT, CHISELED X
29	2026089.0300	2578467.6690	743.0180	841+81.1480	49.2080	TOPO SURVEY POINT, CHISELED X
30	2025562.0180	2579030.4720	735.8630	849+50.5549	-0.8112	TOPO SURVEY POINT, PIN
31	2025595.4340	2579069.1230	734.7070	849+52.6198	-51.8628	TOPO SURVEY POINT, PIN
32	2025592.1480	2578904.3140	741.3090	848+42.2780	70.6015	TOPO SURVEY POINT, PIN
8912	2020156.1370	2583197.5360	707.8600	894+33.2270	4099.5245	TOPO SURVEY POINT, CHISELED X
65723043	2032951.3280	2574598.3060	791.7010	762+29.5416	-87.2588	DISTRICT NETWORK MONUMENT, PERM. SURVEY MARKER
65723044	2037014.3890	2572667.0590	805.8400	717+31.6358	-3.4521	DISTRICT NETWORK MONUMENT, PERM. SURVEY MARKER
68697362	2024378.8760	2582292.5610	742.9530	886+03.8665	-138.7140	GPS CONTROL POINT, PERM. SURVEY MARKER
78720596	2021840.3650	2590379.5300	737.8200	966+44.1749	2543.9242	N.G.S. MONUMENT, DISK

REFERENCE TIES

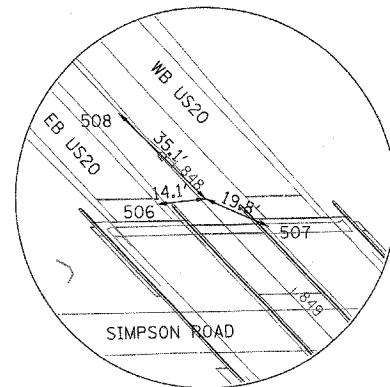
Point#	North(Y)	East(X)	Elev(Z)	Station	Offset	Description
500	2026762.0360	2577827.0260	771.8720	832+52.0019	56.1378	STEEL PLATE BEAM GUARDRAIL, END
501	2026815.0740	2577851.1330	769.6900	832+29.8050	2.2725	DROP BOX, CORNER
502	2026818.0500	2577853.8680	769.7490	832+29.5051	-1.7582	DROP BOX, CORNER
503	2026187.2570	2578455.0140	763.6940	841+00.8416	-8.7539	TOP OF WINGWALL, CORNER
504	2026169.7790	2578446.2570	762.4460	841+07.6003	9.5897	TOP OF WINGWALL, CORNER
505	2026208.9010	2578422.6050	761.7390	840+62.8843	0.0805	DROP BOX, CENTER
506	2025651.6440	2578932.9020	757.5530	848+18.4357	9.0500	TOP OF WINGWALL, CORNER
507	2025645.3680	2578965.0870	756.8820	848+45.0300	-10.1335	TOP OF WINGWALL, CORNER
508	2025677.7850	2578921.8520	755.4660	847+91.8089	-0.7717	DROP BOX, CENTER
509	2024899.6410	2579774.6560	734.4940	859+49.2911	0.6577	PIPE CULVERT, CMP
510	2024858.0370	2579838.7330	732.4240	860+25.6814	-0.3297	PIPE CULVERT, CMP
511	2024321.0880	2580881.8990	730.5210	871+93.2907	57.9033	STEEL PLATE BEAM GUARDRAIL, END
512	2024373.7470	2581140.9170	731.7580	874+32.0409	-55.4836	STEEL PLATE BEAM GUARDRAIL, END
513	2024215.6300	2581232.8900	729.8540	875+52.5861	81.7565	SIGN POLE
514	2024154.6260	2581958.5160	738.4750	882+66.7566	79.7735	SIGN FOUNDATION, CORNER
515	2024224.4120	2581958.1200	739.2490	882+66.8287	9.9864	SIGN FOUNDATION, CORNER



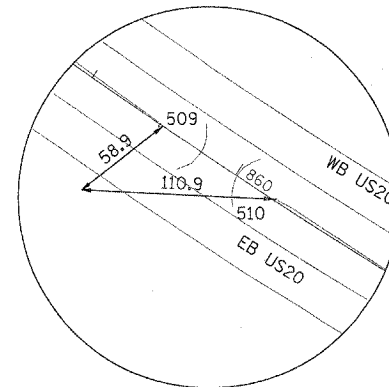
HORIZONTAL CONTROL POINT No.1



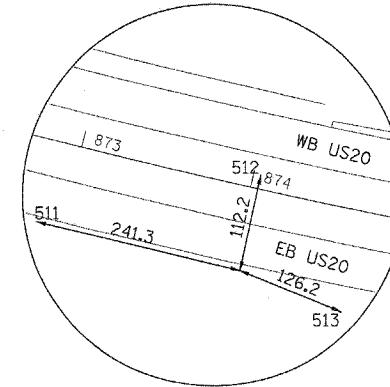
HORIZONTAL CONTROL POINT No.2



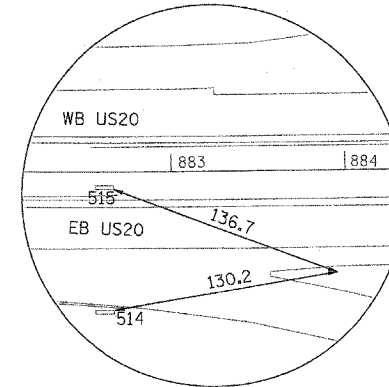
HORIZONTAL CONTROL POINT No.3



HORIZONTAL CONTROL POINT No.4



HORIZONTAL CONTROL POINT No.5



HORIZONTAL CONTROL POINT No.6

REVISIONS	
NAME	DATE

ILLINOIS DEPARTMENT OF TRANSPORTATION
US 20 OVER
PRAIRIE AND SIMPSON ROADS

ALIGNMENT, TIES, AND BENCHMARKS

SCALE: VERT.
HORIZ.
DATE 06/22/07

DRAWN BY AJP
CHECKED BY SPF