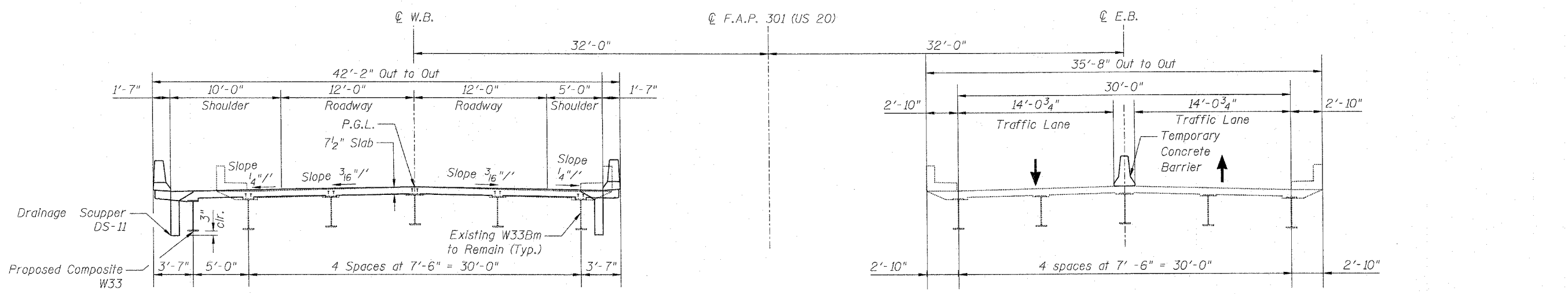


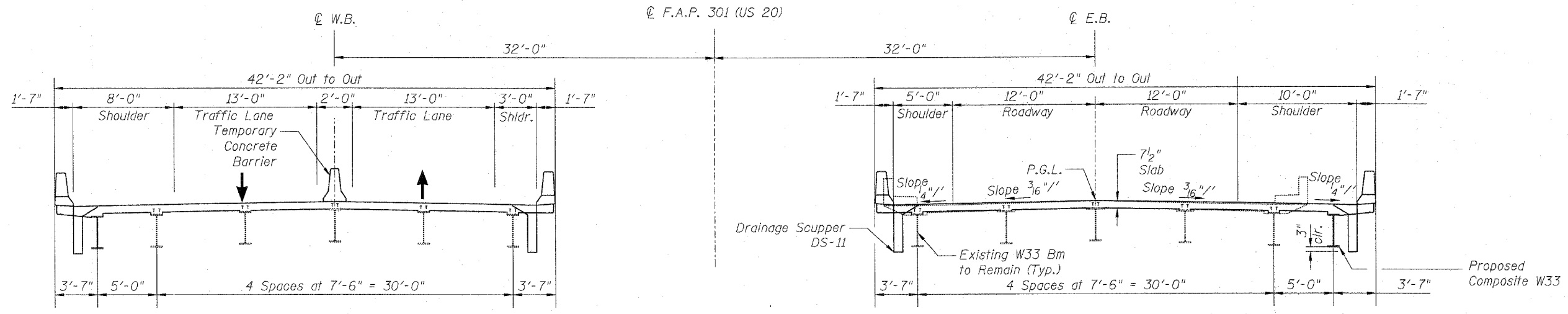
STATE OF ILLINOIS
DEPARTMENT OF TRANSPORTATION

ROUTE NO.	SECTION	COUNTY	TOTAL SHEETS	SHEET NO.	SHEET NO. 3 43 SHEETS
F.A.P. 301 (US 20)	(2HB-2)D	WINNEBAGO	107	25	
FED. ROAD DIST. NO. 7	ILLINOIS	FED. AID PROJECT-			

Contract #64B07



Stage I Construction
CROSS SECTION
Looking East



Stage II Construction
CROSS SECTION
Looking East

DESIGNED	SSM
CHECKED	JLA
DRAWN	GYR
CHECKED	SSM

STAGE CONSTRUCTION
F.A.P. ROUTE 301 (US 20)
OVER PRAIRIE ROAD
SECTION (2HB-2)D
WINNEBAGO COUNTY
STATION 841+89.60
STRUCTURE NO. 101-0051 (W.B.)
STRUCTURE NO. 101-0052 (E.B.)

Plans Prepared by: Kudrna & Associates, Ltd.