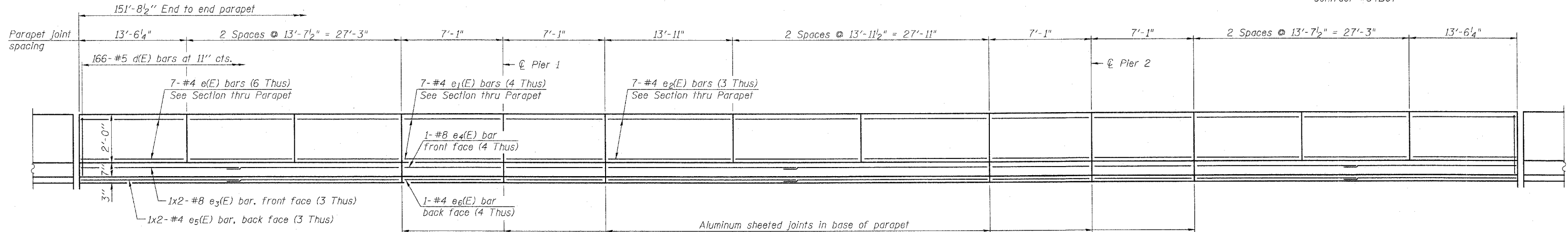


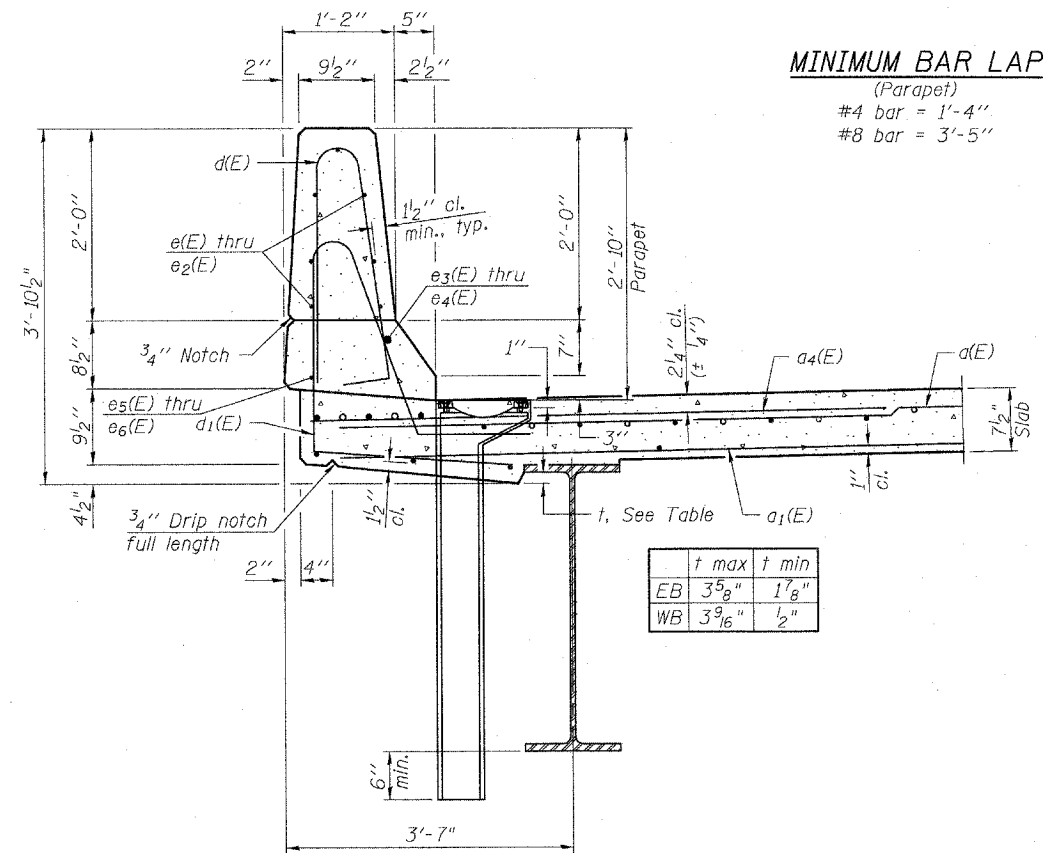
STATE OF ILLINOIS
DEPARTMENT OF TRANSPORTATION

ROUTE NO.	SECTION	COUNTY	TOTAL SHEETS	SHEET NO.
F.A.P. 301 (US 20)	(2HB-2D)	WINNEBAGO	107	34
FED. ROAD DIST. NO. 7	ILLINOIS	FED. AID PROJECT-		

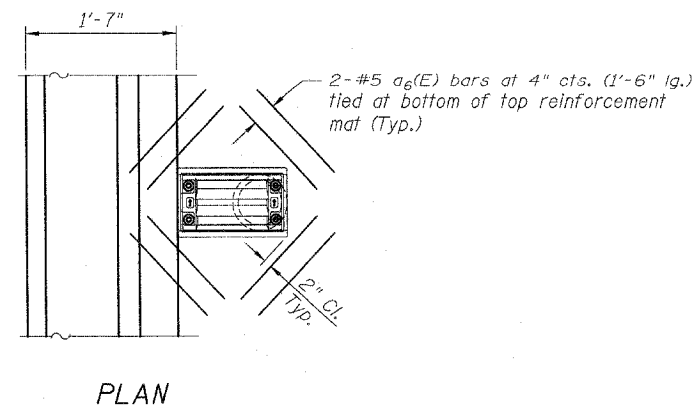
Contract #64B07



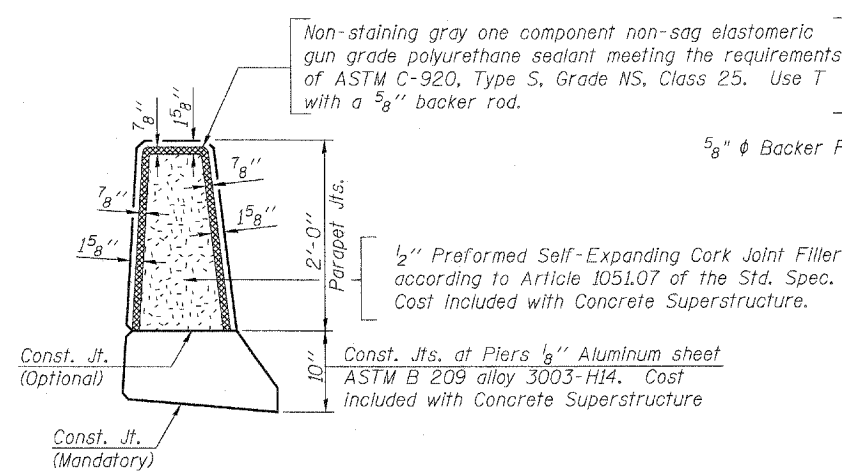
INSIDE ELEVATION OF PARAPET



SECTION THRU PARAPET



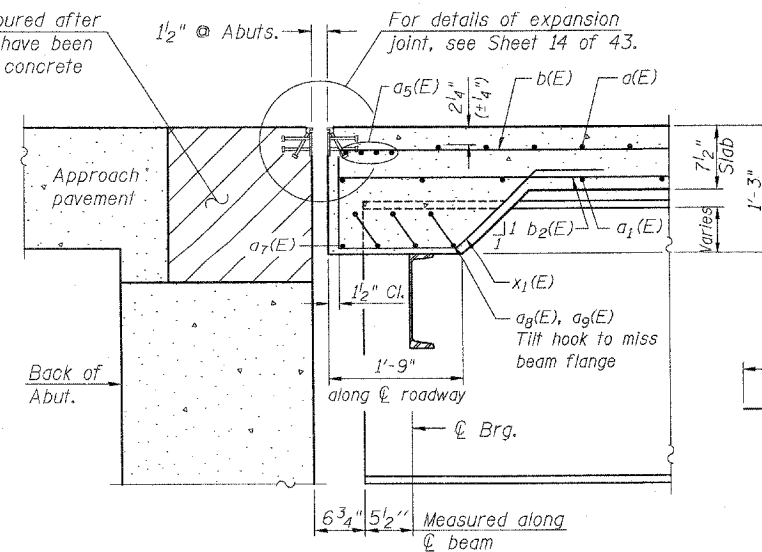
PLAN



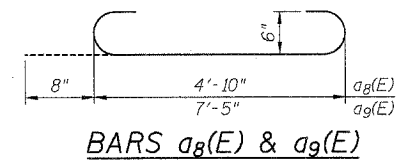
PARAPET JOINT DETAILS

Notes:
The exterior surfaces of the floor drains shall be painted with the finish coat as specified in the special provisions for Cleaning and Painting New Metal Structures. The exterior surfaces of the drains shall be cleaned according to Steel Structures Painting Council's Spec. SSPC-SPI prior to painting.
Fiberglass pipe shall conform to ASTM D 2996, with short-time rupture strength hoop tensile stress of 30,000 p.s.i. minimum.

Hatched area to be poured after superstructure forms have been removed. Quantity of concrete included with Concrete Superstructure.

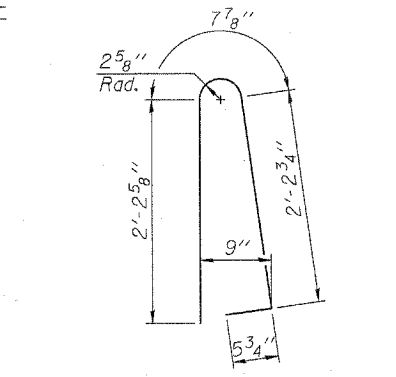


SECTION A-A

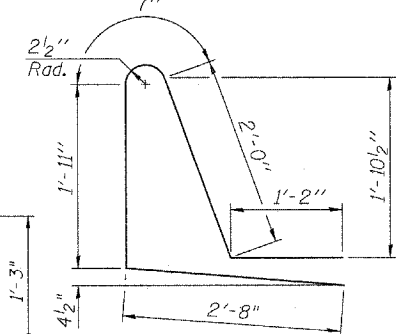


BARS a8(E) & a9(E)

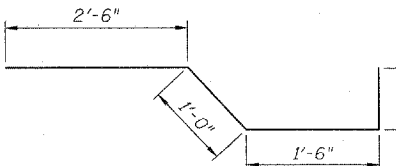
BAR d(E)



BAR d1(E)



BAR x1(E)



SUPERSTRUCTURE
BILL OF MATERIAL FOR ONE DECK

Bar	No.	Size	Length	Shape
a(E)	305	#5	41'-6"	—
a1(E)	215	#5	41'-0"	—
a4(E)	306	#5	6'-0"	—
a5(E)	8	#7	42'-7"	—
a6(E)	16	#5	1'-6"	—
a7(E)	2	#6	42'-0"	—
a8(E)	6	#6	6'-2"	—
a9(E)	24	#6	8'-9"	—
b(E)	258	#5	27'-2"	—
b1(E)	84	#6	31'-10"	—
b2(E)	301	#5	23'-7"	—
d(E)	332	#5	5'-7"	—
d1(E)	332	#5	8'-4"	—
e(E)	84	#4	13'-3"	—
e1(E)	56	#4	6'-9"	—
e2(E)	42	#4	13'-7"	—
e3(E)	12	#8	22'-8"	—
e4(E)	8	#8	6'-9"	—
e5(E)	12	#4	21'-7"	—
e6(E)	8	#4	6'-9"	—
x1(E)	76	#5	5'-11"	—
Item	Unit	Quantity		
Reinforcement Bars, Epoxy Coated	Pound	52,000		
Concrete Superstructure	Cu. Yds.	206.8		
Protective Coat	Sq. Yd.	804		
Bridge Deck Grooving	Sq. Yd.	624		

Bars indicated thus 1x2-#5 etc. indicates 1 line of bars with 2 lengths per line.

SUPERSTRUCTURE DETAILS
F.A.P. ROUTE 301 (US 20)
OVER PRAIRIE ROAD
SECTION (2HB-2D)
WINNEBAGO COUNTY
STATION 841+89.60
STRUCTURE NO. 101-0051 (W.B.)
STRUCTURE NO. 101-0052 (E.B.)

DESIGNED	LAS
CHECKED	DAZ
DRAWN	SAW
CHECKED	LAS

S-D

11-1-06

Plans Prepared by: Zroka Engineering, P.C.