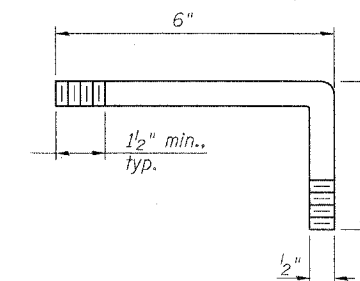
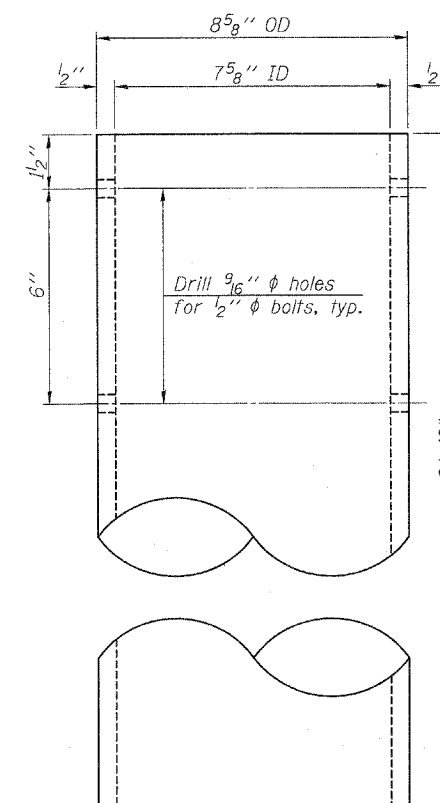
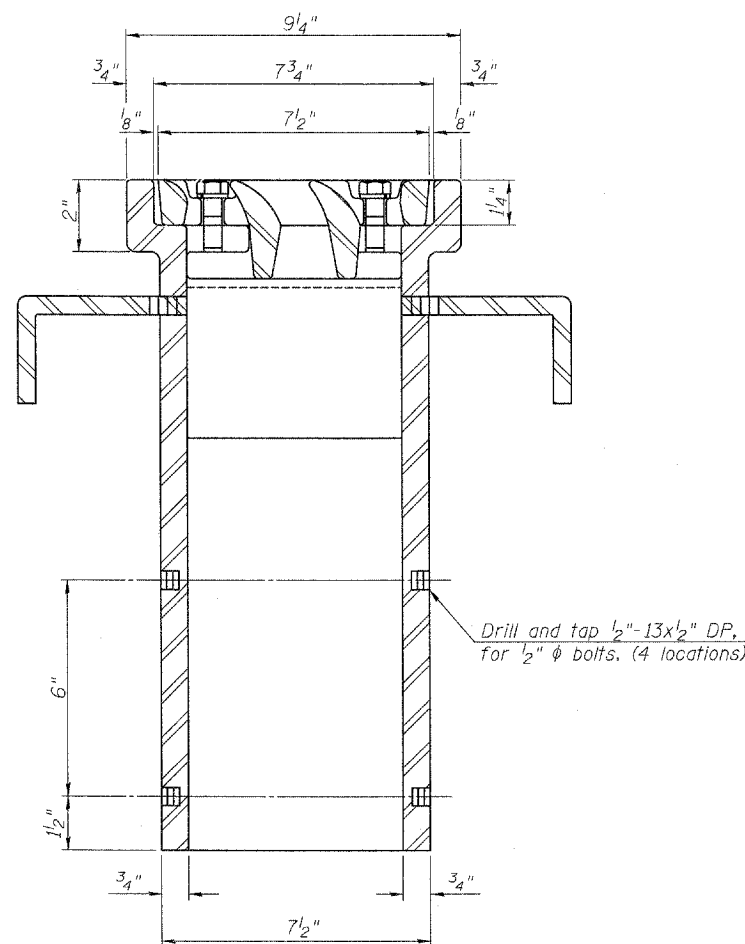
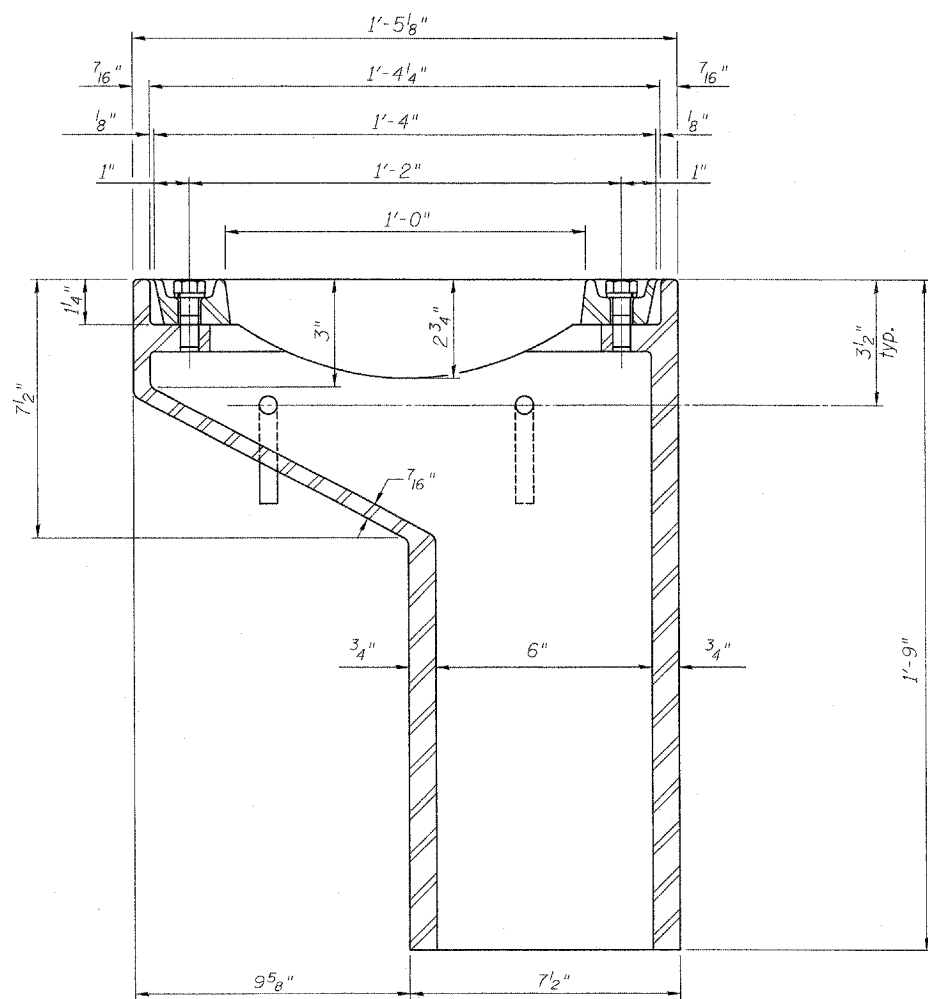
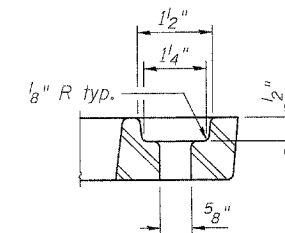
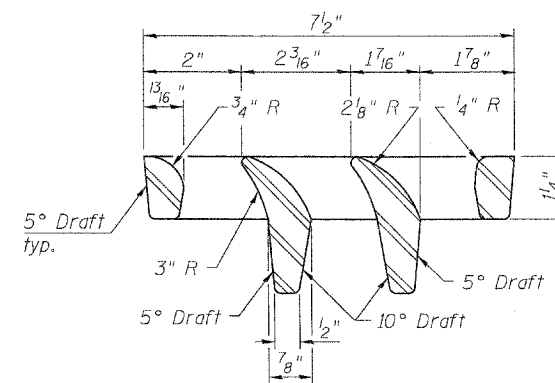
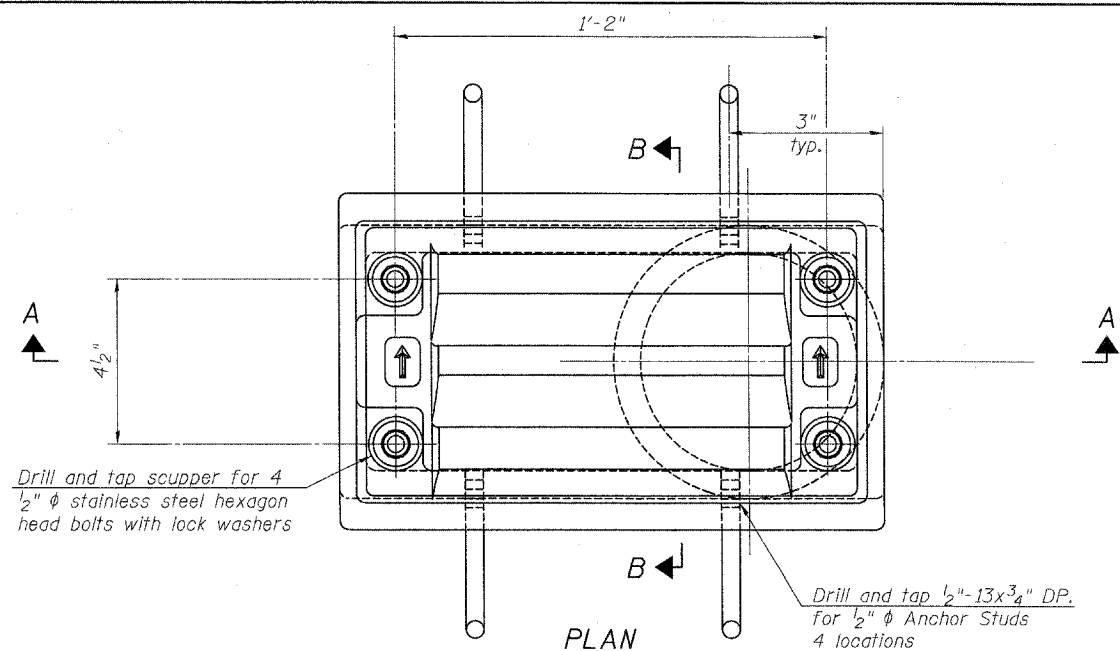


STATE OF ILLINOIS  
DEPARTMENT OF TRANSPORTATION

ROUTE NO.	SECTION	COUNTY	TOTAL SHEETS	SHEET NO.
F.A.P. 301 (US 20)	(2HB -1D)	WINNEBAGO	107	76
FED. ROAD DIST. NO. 7	ILLINOIS	FED. AID PROJECT-		

SHEET NO. 11  
34 SHEETS

Contract #64B07



BILL OF MATERIAL

ITEM	UNIT	QUANTITY
Drainage Scupper, DS-11	Each	4

DRAINAGE SCUPPER, DS-11  
F.A.P. ROUTE 301 (US 20)  
OVER SIMPSON ROAD  
SECTION (2HB-1D)  
WINNEBAGO COUNTY  
STATION 849+27.97

STRUCTURE NO. 101-0053 (W.B.)  
STRUCTURE NO. 101-0054 (E.B.)

DESIGNED	SSM
CHECKED	JLA
DRAWN	GYR
CHECKED	SSM

DS-11 11-1-06

Plans Prepared by: Kudrna & Associates, Ltd.