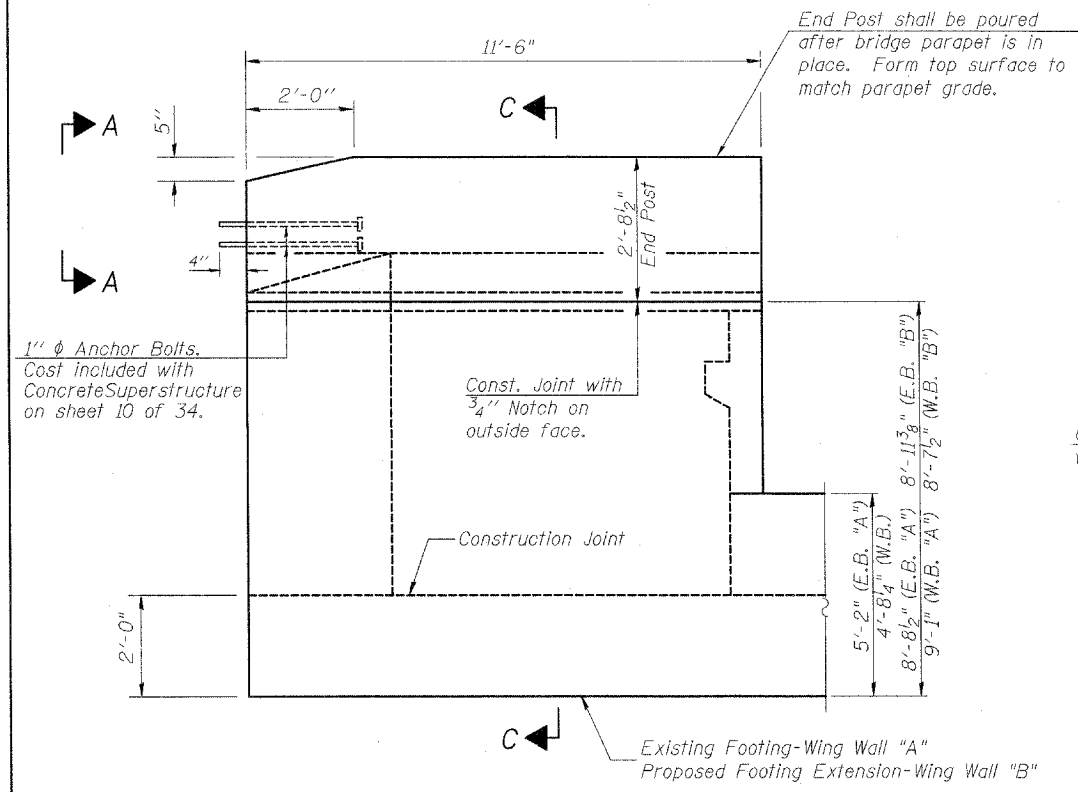


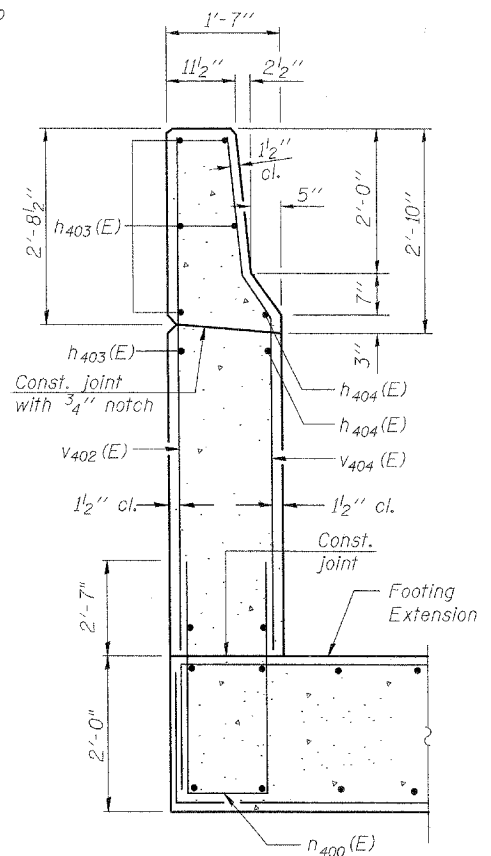
STATE OF ILLINOIS
DEPARTMENT OF TRANSPORTATION

ROUTE NO.	SECTION	COUNTY	TOTAL SHEETS	SHEET NO.	SHEET NO. 21 34 SHEETS
F.A.P. 301 (US 20)	2HB -1D	WINNEBAGO	107	86	
FED. ROAD DIST. NO. 7		ILLINOIS	FED. AID PROJECT		

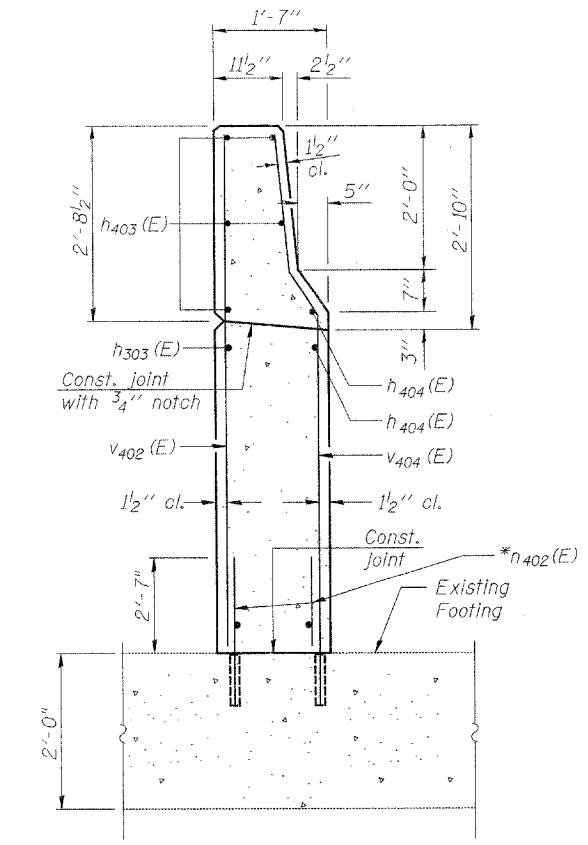
Contract #64B07



WING WALL ELEVATION
Showing Dimensions

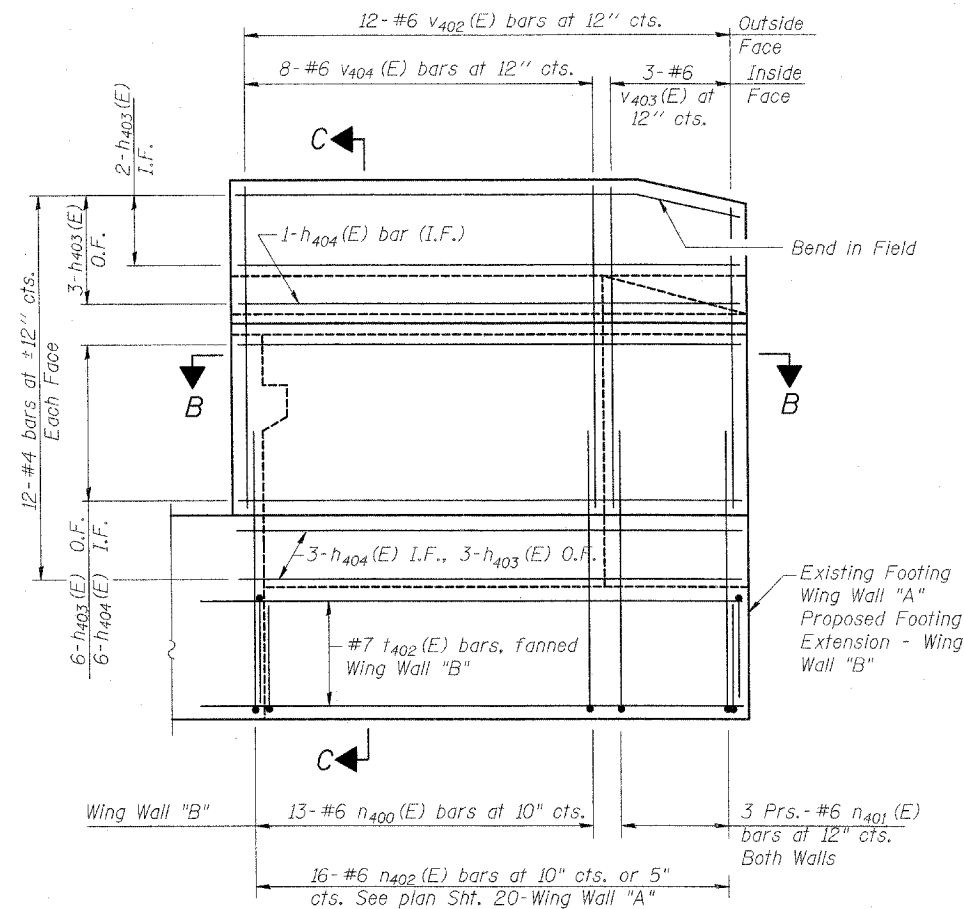


SECTION C-C THRU PROPOSED FOOTING EXTENSION (WING WALL "B")



SECTION C-C THRU EXISTING FOOTING (WING WALL "A")

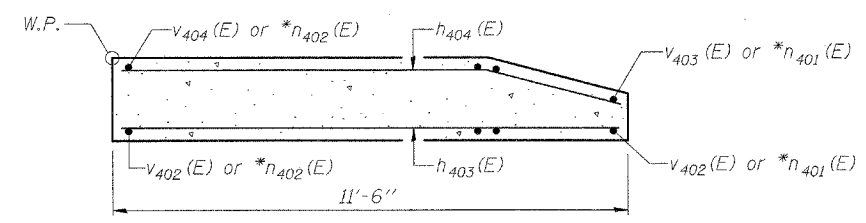
* Epoxy grout #6 n402(E) bars in a 1" diameter hole.
Holes shall be drilled a minimum of 9" deep. Bars shall be drilled and epoxy grouted according to Article 584 of the Standard Specifications.



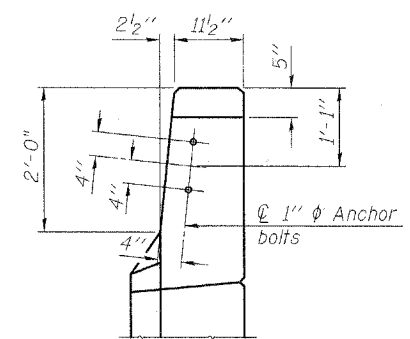
WING WALL ELEVATION
Showing Reinforcement

NOTES:
Hatched area to be poured after superstructure false work has been removed. Quantity of concrete included with Concrete Superstructure.
Space reinforcement in cap to miss anchor bolts.
Pour steps monolithically with cap.
Quantity of concrete in end post included with Concrete Superstructure on sheet 10 of 34.
For Concrete Encasement details, see sheet 29 of 34.

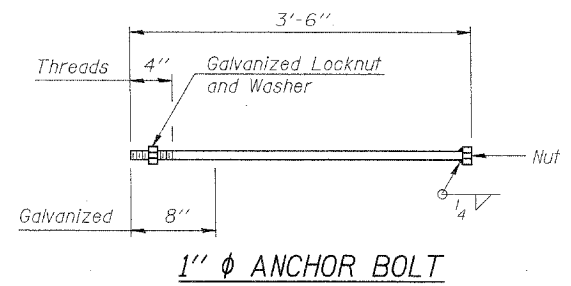
ABUTMENT MODIFICATION DETAILS
WINGWALL DETAILS
WEST ABUTMENT (WB ROADWAY)
EAST ABUTMENT (EB ROADWAY)
F.A.P. ROUTE 301 (US 20)
OVER SIMPSON ROAD
SECTION (2HB-1D)
WINNEBAGO COUNTY
STATION 849+27.97
STRUCTURE NO. 101-0053 (W.B.)
STRUCTURE NO. 101-0054 (E.B.)



SECTION B-B



VIEW A-A



1" diameter ANCHOR BOLT

DESIGNED	SSM
CHECKED	JLA
DRAWN	GYR
CHECKED	SSM

A-1-D 11-1-06