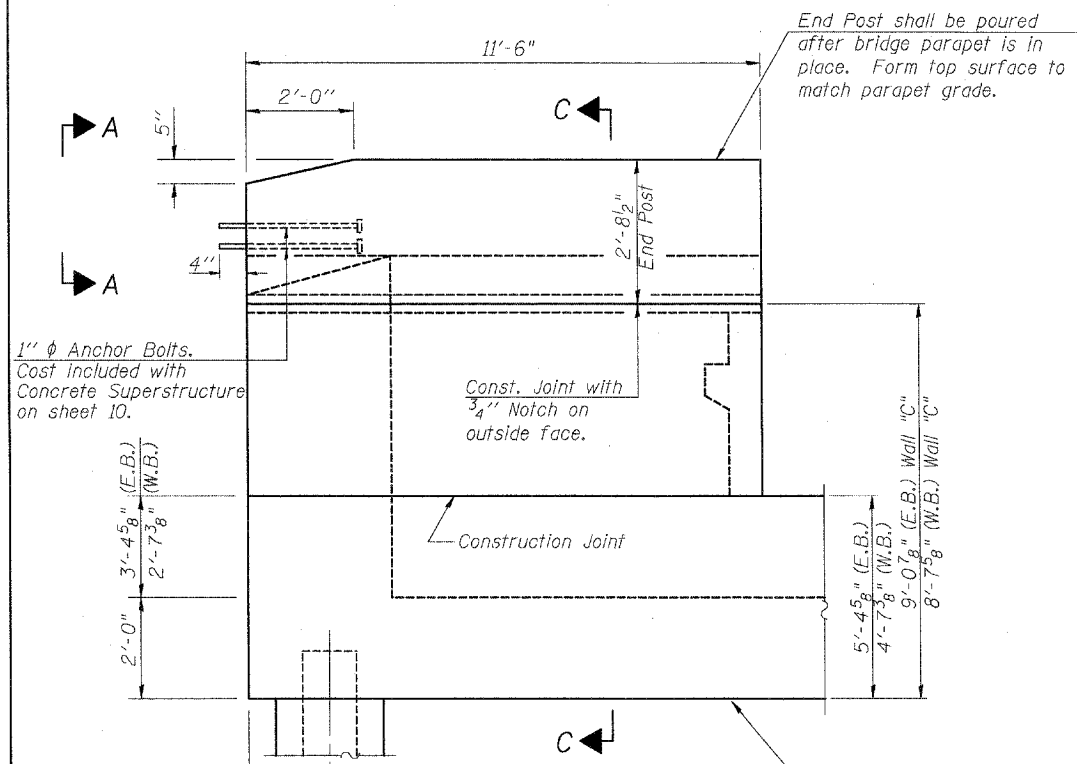


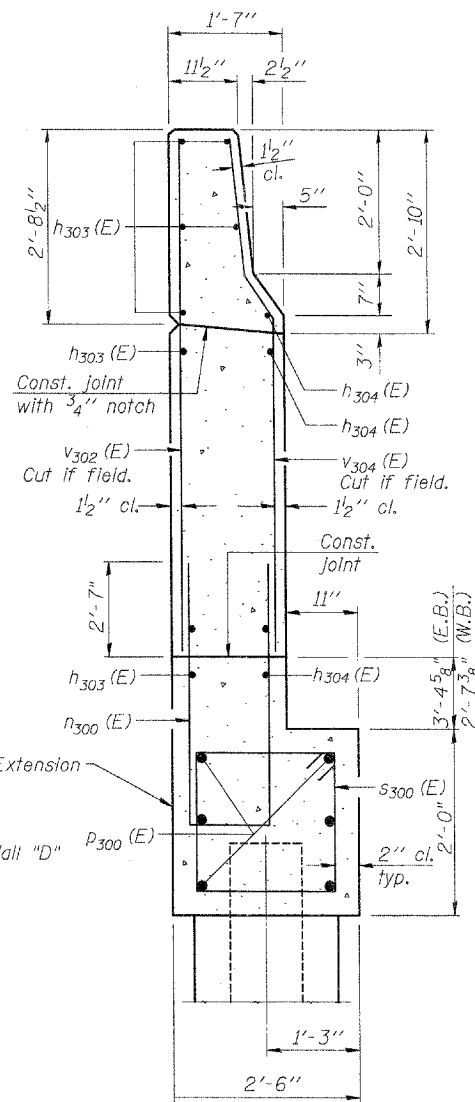
STATE OF ILLINOIS  
DEPARTMENT OF TRANSPORTATION

ROUTE NO.	SECTION	COUNTY	TOTAL SHEETS	SHEET NO.	SHEET NO. 24 34 SHEETS
F.A.P. 301 (US 20)	(2HB -DD)	WINNEBAGO	107	89	
FED. ROAD DIST. NO. 7		ILLINOIS	FED. AID PROJECT		

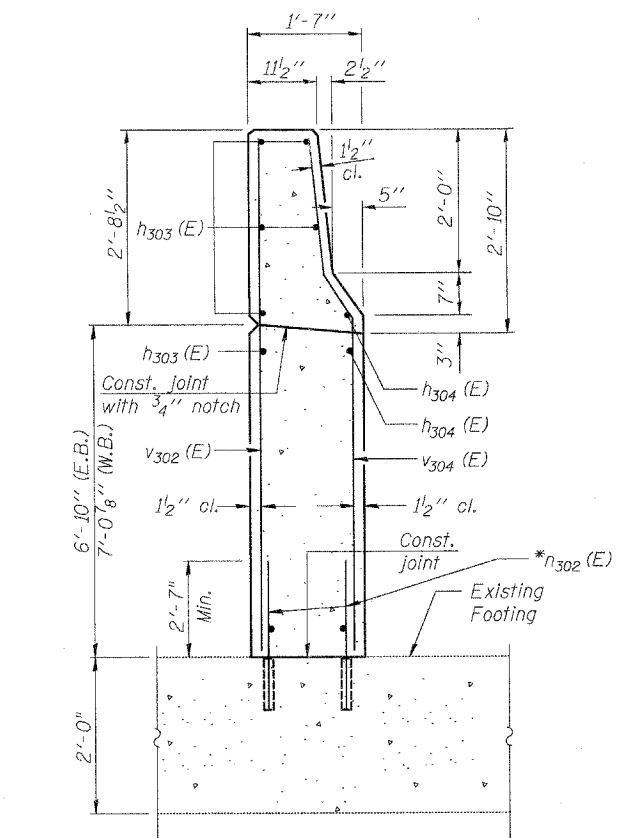
Contract #64B07



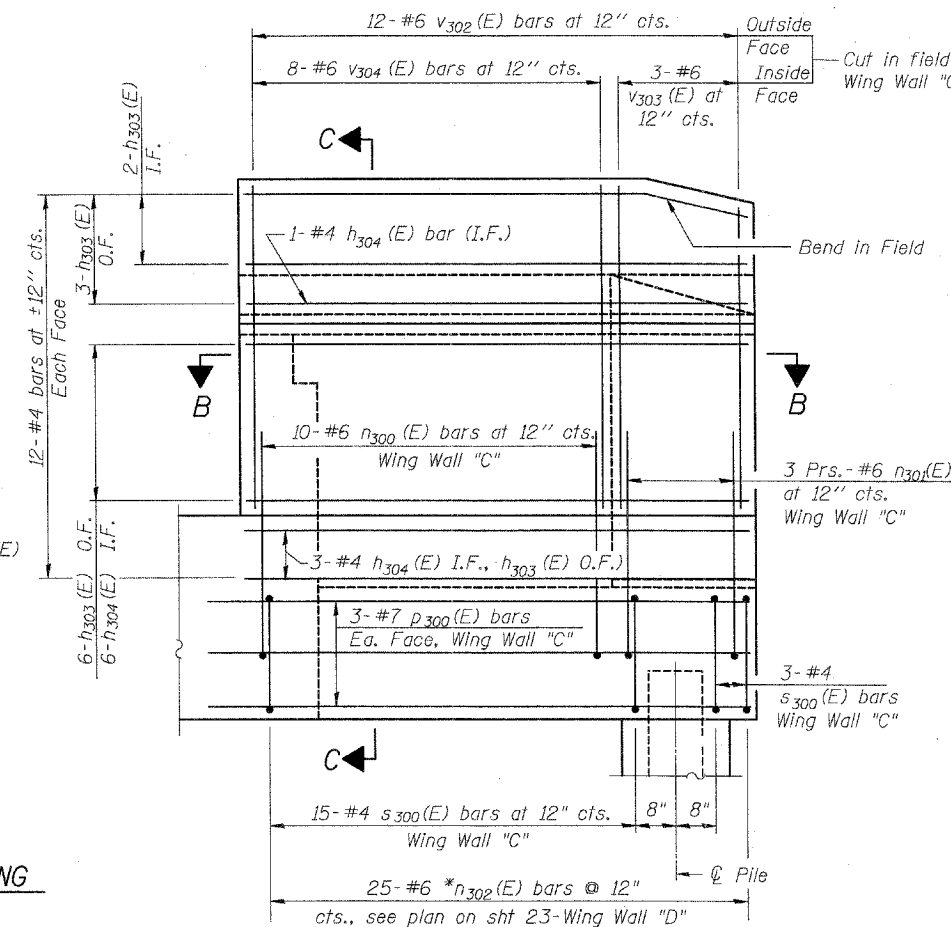
**WING WALL ELEVATION**  
Showing Dimensions



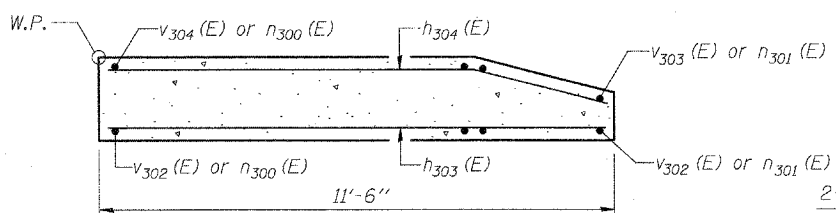
**SECTION C-C THRU  
PROPOSED FOOTING EXTENSION  
(WING WALL "C")**



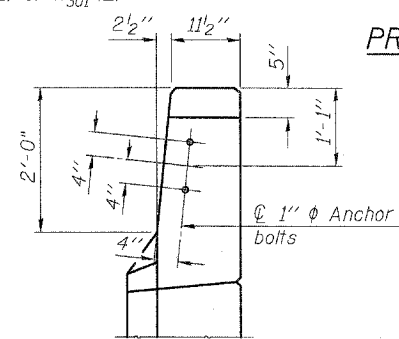
**SECTION C-C THROUGH EXISTING FOOTING  
(WING WALL "D")**



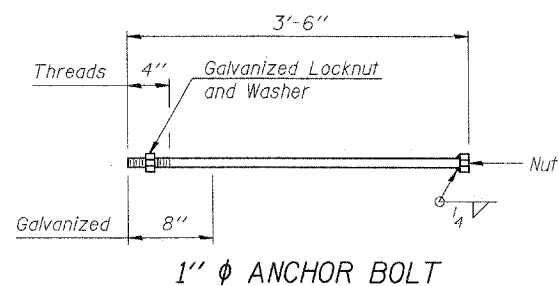
**WING WALL ELEVATION**  
Showing Reinforcement



**SECTION B-B**



**VIEW A-A**



**1" diameter ANCHOR BOLT**

**Notes:**

Quantity of concrete in end post included with Concrete Superstructure on sheet 10 of 34.

For Concrete Encasement details, see sheet 29 of 34.

\*Epoxy grout #6 n302(E) bars in 1" diameter hole.

Holes shall be drilled a minimum of 9" deep. Bars shall be drilled and epoxy grouted according to Article 584 of the Standard Specifications.

DESIGNED	SSM
CHECKED	JLA
DRAWN	GYR
CHECKED	SSM

A-1-D

11-1-06

Plans Prepared by: Kudrna & Associates, Ltd.

**ABUTMENT MODIFICATION DETAILS**  
**WINGWALL DETAILS**  
**WEST ABUTMENT (EB ROADWAY)**  
**EAST ABUTMENT (WB ROADWAY)**  
**F.A.P. ROUTE 301 (US 20)**  
**OVER SIMPSON ROAD**  
**SECTION (2HB-1D)**  
**WINNEBAGO COUNTY**  
**STATION 849+27.97**  
**STRUCTURE NO. 101-0053 (W.B.)**  
**STRUCTURE NO. 101-0054 (E.B.)**