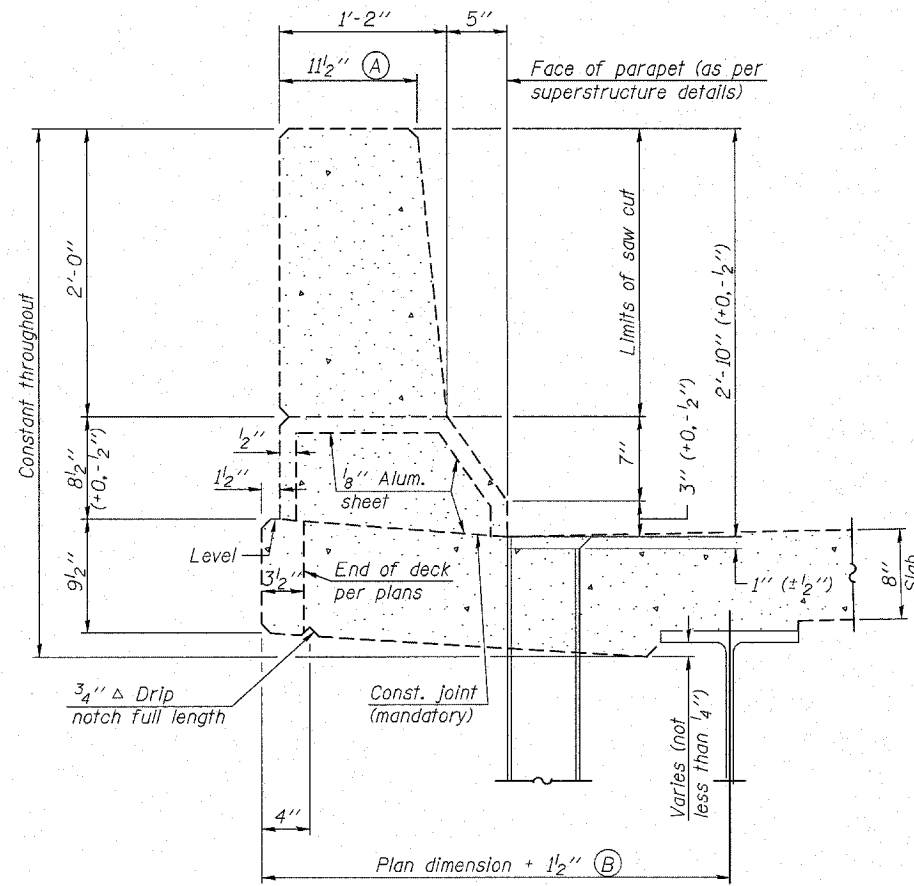


STATE OF ILLINOIS
DEPARTMENT OF TRANSPORTATION

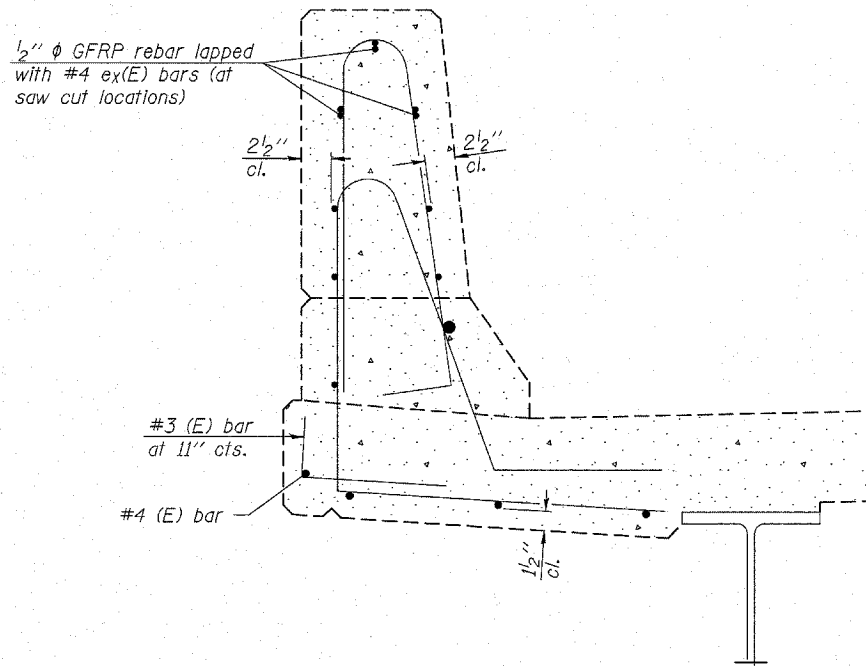
ROUTE NO.	SECTION	COUNTY	TOTAL SHEETS	SHEET NO.
F.A.P. 301 (US 20)	(2HB-1D)	WINNEBAGO	107	96
FED. ROAD DIST. NO. 7	ILLINOIS	FED. AID PROJECT-		

SHEET NO. 31
34 SHEETS

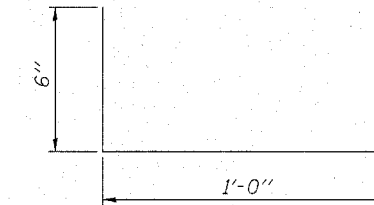
Contract #64B07



SECTION
(Showing dimensions)



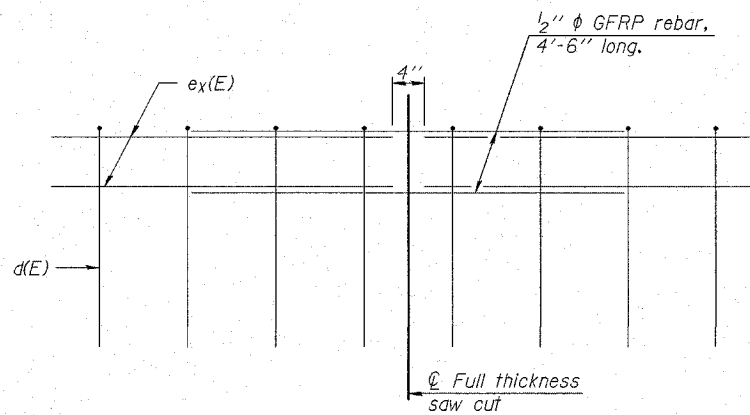
SECTION
(Showing reinforcement clearances for slip forming and additional reinforcement bars)



#3 (E) BAR

SFP-34

5-9-2007



GFRP REBAR STIFFENING DETAIL

(Place as shown in parapet section at each parapet joint location.)

CONCRETE PARAPET
SLIPFORMING OPTION

PARAPET SLIP FORMING OPTION
F.A.P. ROUTE 301 (US 20)
OVER SIMPSON ROAD
SECTION (2HB-1D)
WINNEBAGO COUNTY
STATION 849+27.97
STRUCTURE NO. 101-0053 (W.B.)
STRUCTURE NO. 101-0054 (E.B.)

DESIGNED	SSM
CHECKED	JLA
DRAWN	GYR
CHECKED	SSM