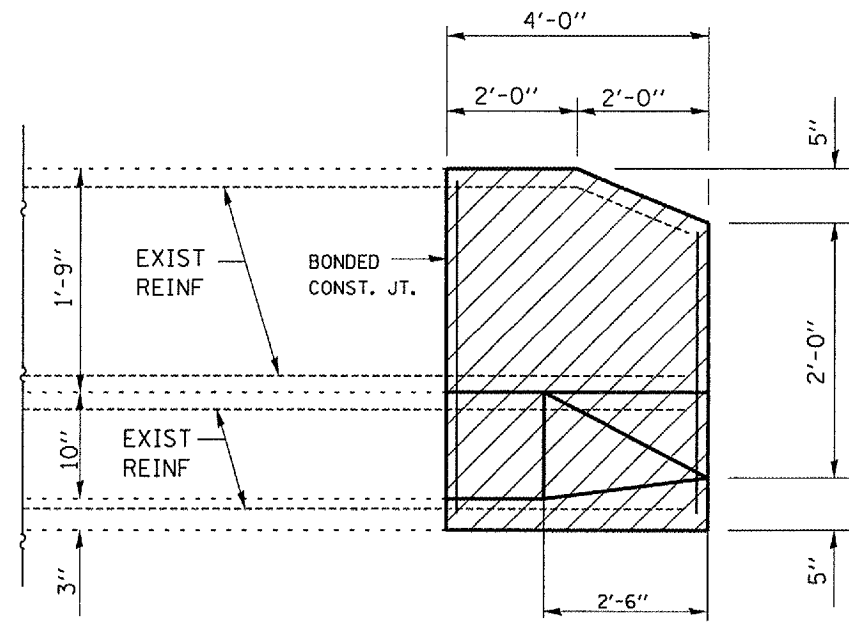
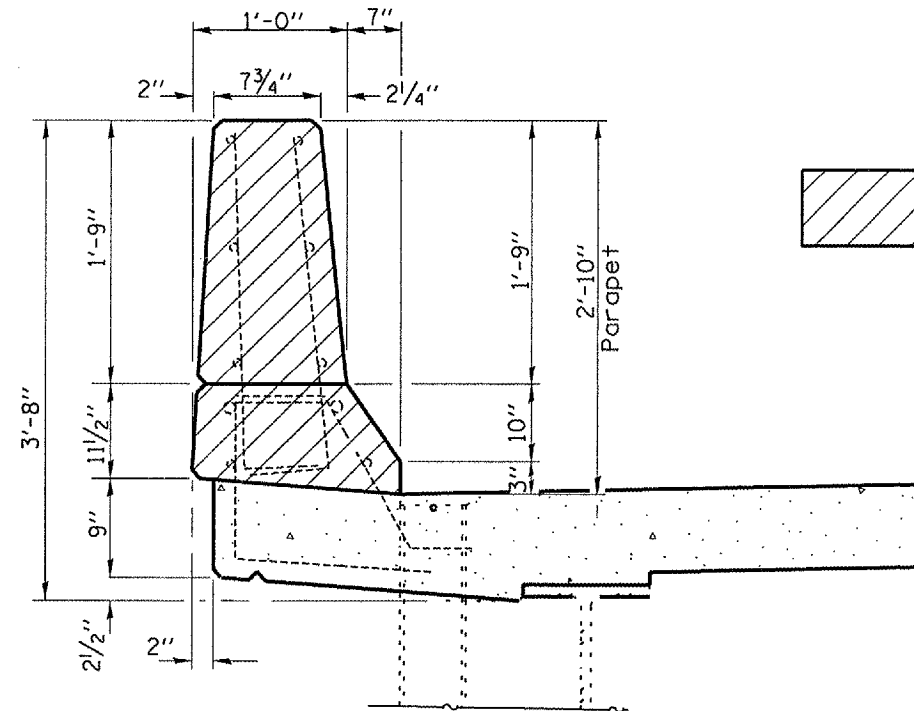


F.A.P. RTE.	SECTION	COUNTY	TOTAL SHEETS	SHEET NO.
41	(14BR)MCHD	KANKAKEE	6	6
ILLINOIS				

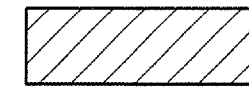
CONTRACT NO. 66721



INSIDE ELEVATION OF PARAPET



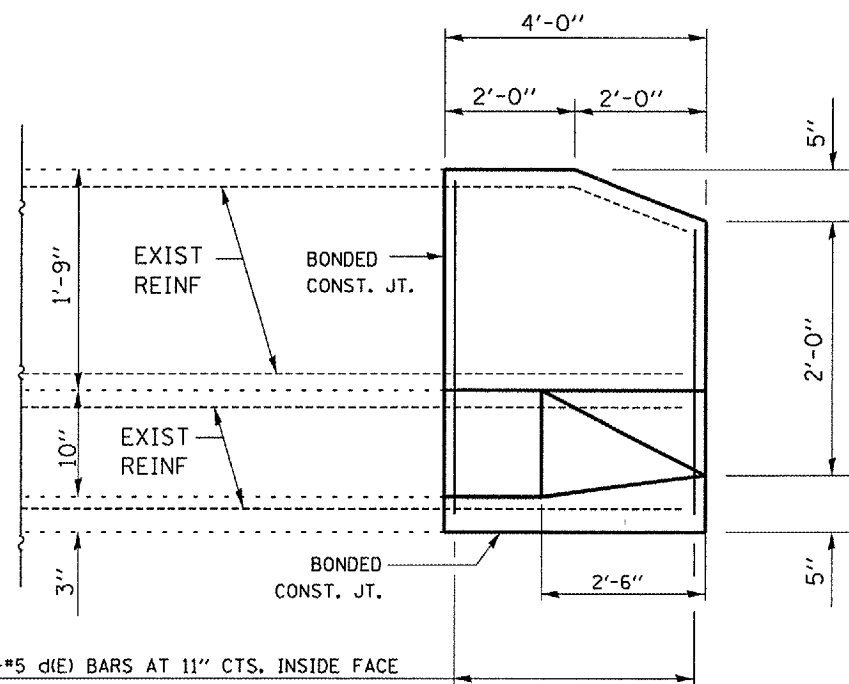
SECTION THRU PARAPET



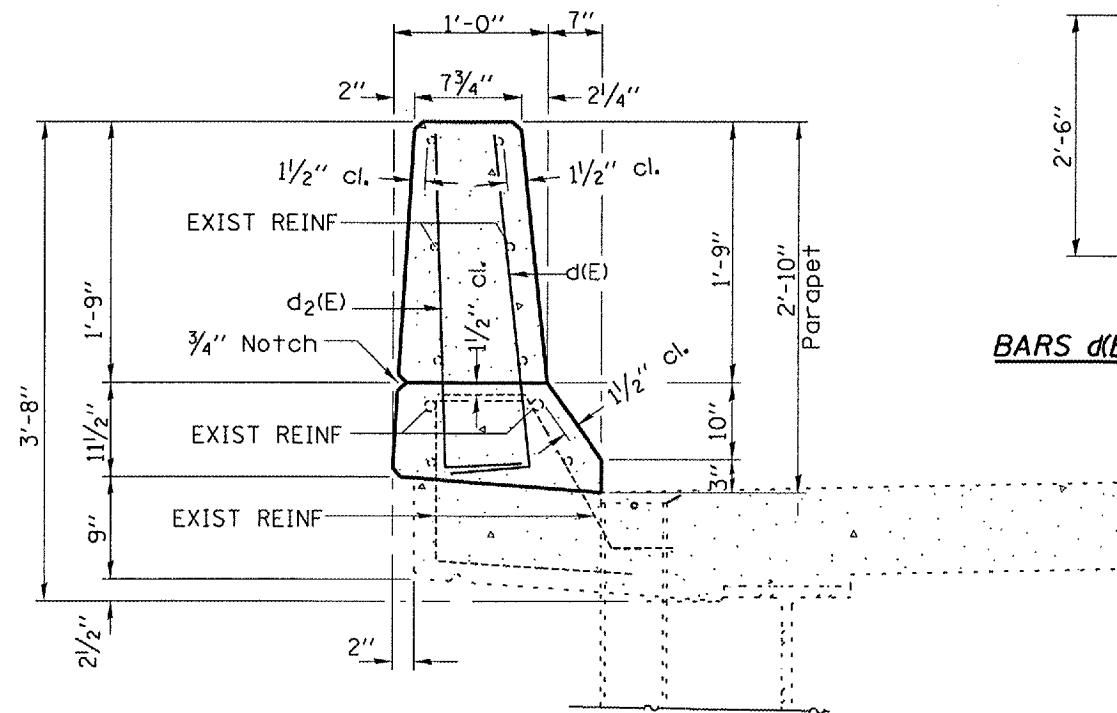
CONCRETE REMOVAL

**SUPERSTRUCTURE
BILL OF MATERIAL**

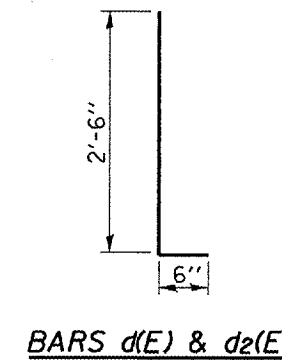
CONCRETE REMOVAL	Cu. Yds.	0.4
------------------	----------	-----



INSIDE ELEVATION OF PARAPET



SECTION THRU PARAPET



BARS d(E) & d2(E)

**SUPERSTRUCTURE
BILL OF MATERIAL**

Bar	No.	Size	Length	Shape
d(E)	5	#5	3'-0"	—
d ₂ (E)	5	#4	3'-0"	—
REINFORCEMENT BARS EPOXY COATED			Pound	30
CONCRETE SUPERSTRUCTURE			Cu. Yds.	0.4

REINFORCEMENT BARS DESIGNATED (E) SHALL BE EPOXY COATED.

DATE: 05/08/2007 C:\PROJECTS\MCHD07\0460132\0460132.DGN

5-#5 d(E) BARS AT 11" CTS, INSIDE FACE
5-#4 d₂(E) BARS AT 12" CTS, OUTSIDE FACE

REVISIONS	
NAME	DATE

ILLINOIS DEPARTMENT OF TRANSPORTATION
PARAPET DETAILS
FAP ROUTE 41 (IL ROUTE 17)
SECTION (14BR)MCHD
KANKAKEE COUNTY
STA. 652+20.15