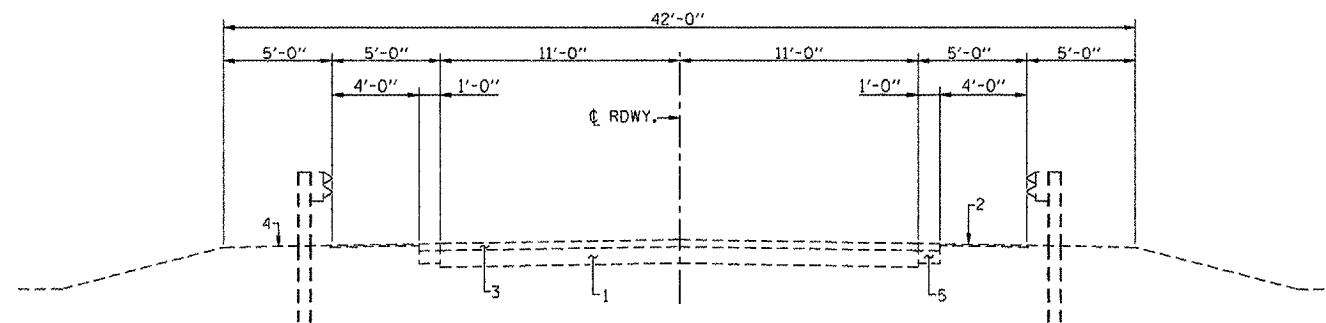
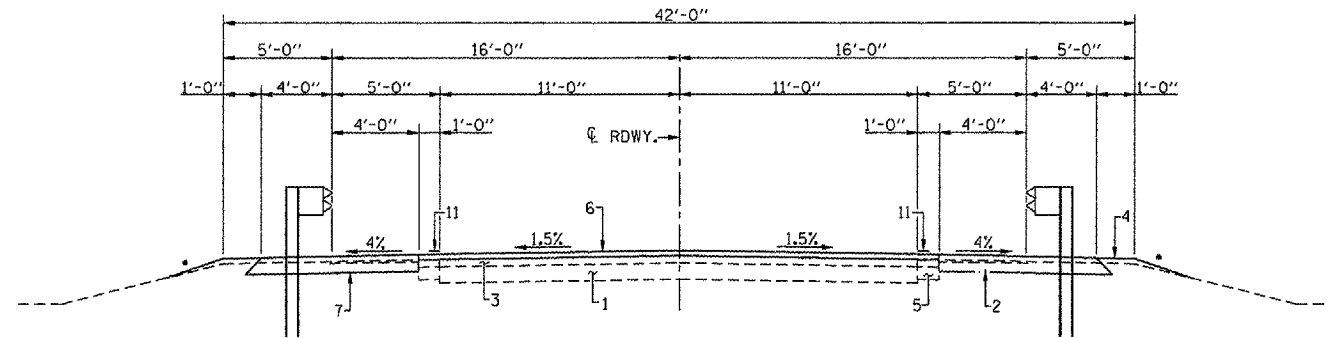


F.A.P. RTE.	SECTION	COUNTY	TOTAL SHEETS	SHEET NO.
656	(II)	TAZEWELL	32	4
STA. 162+78.50 TO STA. 170+28.50				
FED. ROAD DIST. NO.		ILLINOIS FED. AID PROJECT		

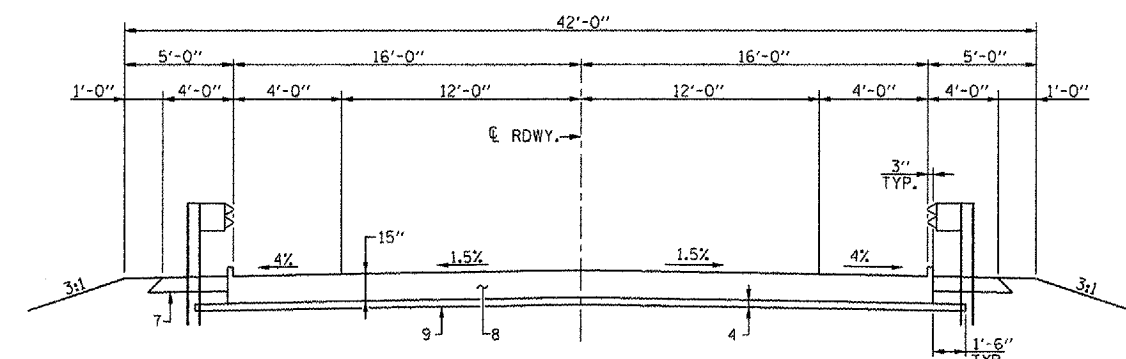


EXISTING PAVEMENT SECTION
(STA. 162+78.50 TO STA. 165+87.17 & STA. 167+19.83 TO STA. 170+28.50)

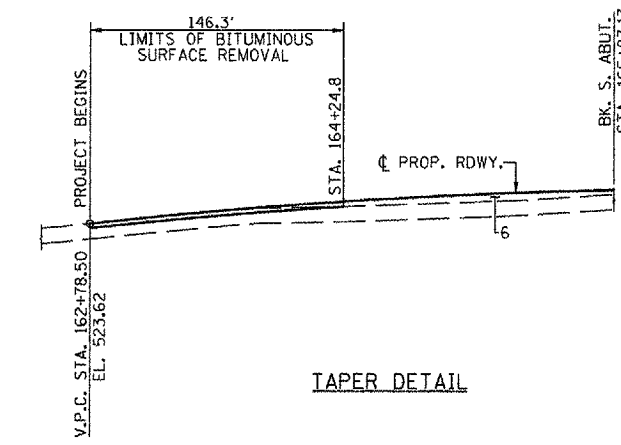


PROPOSED PAVEMENT SECTION
(STA. 162+78.50 TO STA. 165+57.17 & STA. 167+49.83 TO STA. 170+28.50)

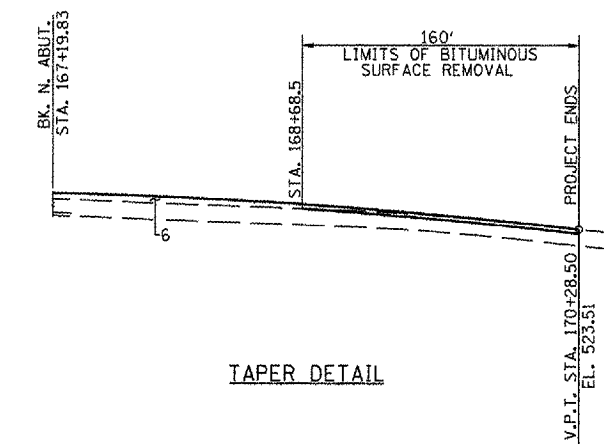
- 3:1 @ GUARDRAIL LOCATIONS
- 4:1 @ NO GUARDRAIL



PROPOSED BRIDGE APPROACH PAVEMENT
(STA. 165+57.17 TO STA. 165+87.17)
(STA. 167+19.83 TO STA. 167+49.83)



TAPER DETAIL



TAPER DETAIL

PAVEMENT LEGEND

1. EXISTING P.C.C. PAVEMENT
2. EXISTING AGGREGATE SHOULDER
3. EXISTING HOT MIX ASPHALT OVERLAY 4" - 6"
4. EARTH SHOULDER
5. EXISTING HOT MIX ASPHALT SHOULDER
6. PROPOSED HOT MIX ASPHALT SURFACE COURSE, MIXTURE C N50 (1 1/2" MIN.)
7. PROPOSED HOT MIX ASPHALT SHOULDER (8")
8. PROPOSED CONCRETE BRIDGE APPROACH PAVEMENT
9. SUB-BASE GRANULAR MATERIAL, TYPE A
10. HOT MIX ASPHALT BASE COURSE WIDENING (8")
11. PAINT PAVEMENT MARKING - LINE 4"

DETAILS AND
TYPICAL ROADWAY SECTIONS
IL. ROUTE 29 OVER CRANE CREEK
F.A.P. ROUTE 656 - SECTION (II)
TAZEWELL COUNTY
STA. 166+53.50
S.N. 090-0053

PLOT DATE: 8/20/83
DRAWN BY: J. HENDERSON
CHECKED BY: J. HENDERSON
MODEL NAME: 090-0053