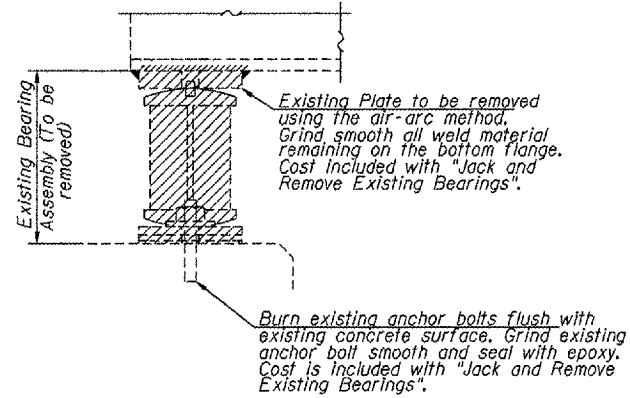


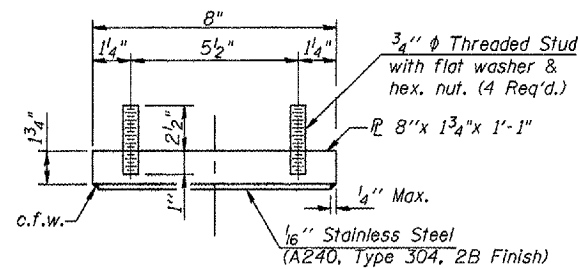
STATE OF ILLINOIS
DEPARTMENT OF TRANSPORTATION

ROUTE NO.	SECTION	COUNTY	TOTAL SHEETS	SHEET NO.
F.A.P. 656	(11)	TAZEWELL	32	20
FED. ROAD DIST. NO. 4		ILLINOIS	FED. AID PROJECT	
CONTRACT NO. 68024				

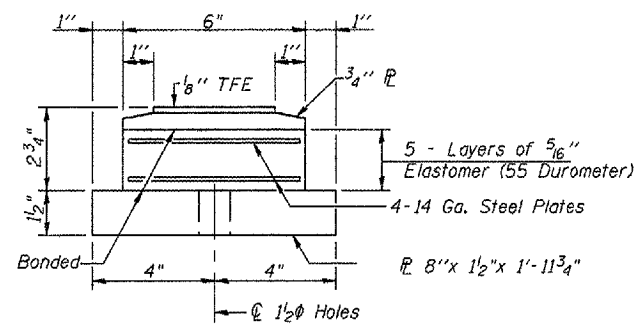
SHEET NO. 9
OF 18 SHEETS



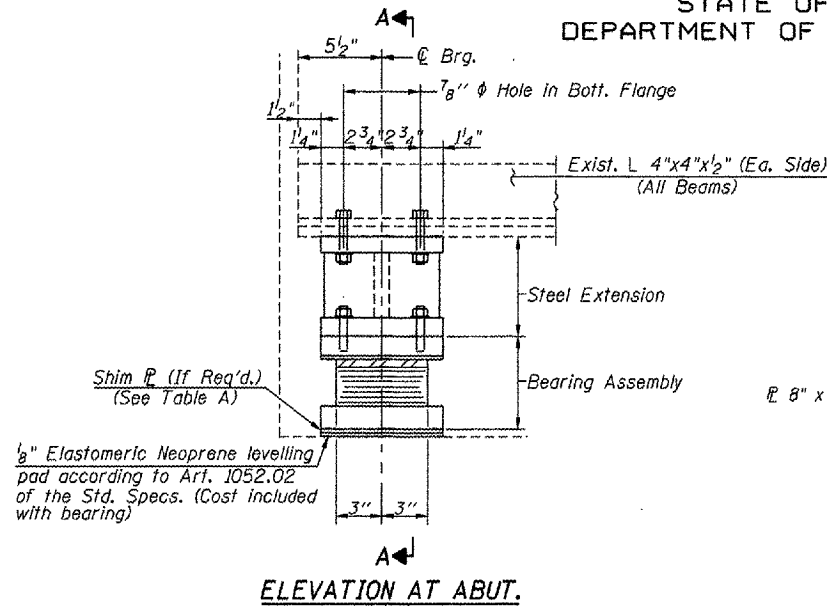
EXISTING BEARING REMOVAL DETAIL



TOP BEARING ASSEMBLY

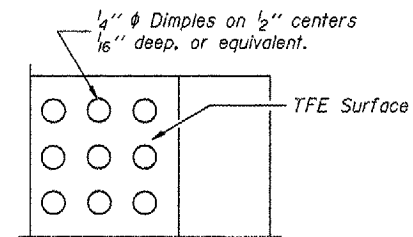


BOTTOM BEARING ASSEMBLY

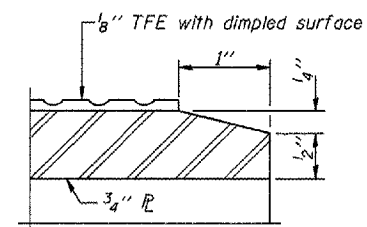


ELEVATION AT ABUT.

TYPE II ELASTOMERIC EXP. BRG.



PLAN-TFE SURFACE

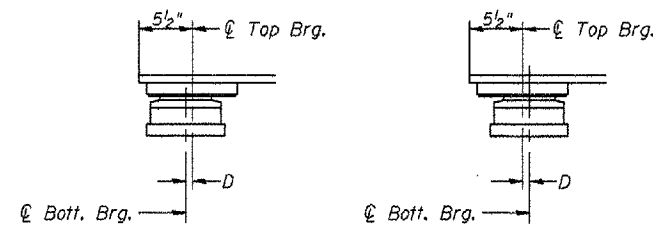


SECTION THRU TFE

Notes:

The 1/8" TFE sheet shall be bonded directly to the top steel plate with a two-component, medium viscosity epoxy resin, conforming to the requirements of the Federal Specification MMM-A-134, Type I. The bond agent shall be applied on the full area of the contact surfaces.

Bonding of 1/8" TFE sheet during vulcanizing process will be permitted provided the process and method of adjusting assembly height is approved by the Engineer.



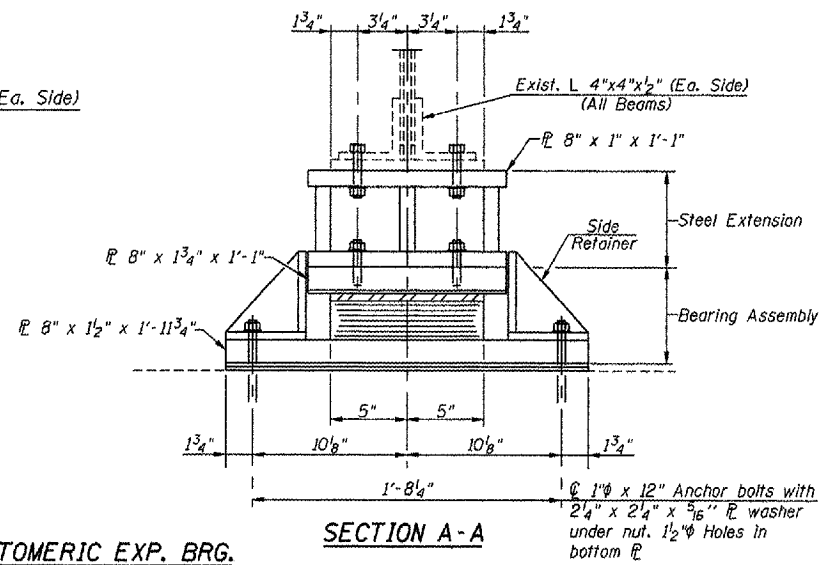
BELOW 50°F.

ABOVE 50°F.

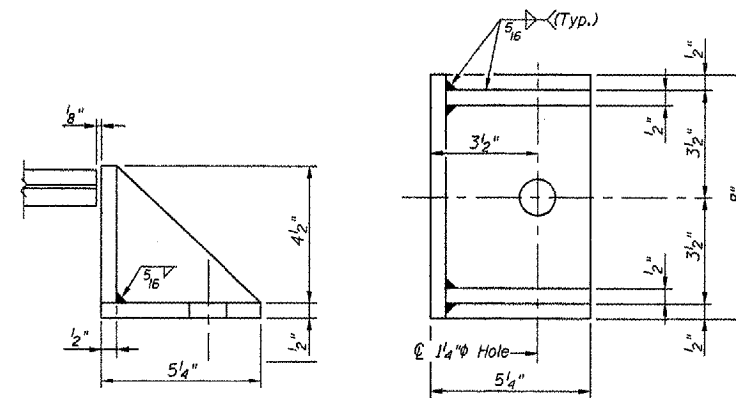
(Move bott. brg. away from fixed brg.) (Move bott. brg. toward fixed brg.)

SETTING ANCHOR BOLTS AT EXP. BRG.

D = 1/8" per each 100' of expansion for every 15° temp. change from the normal temp. of 50°F.

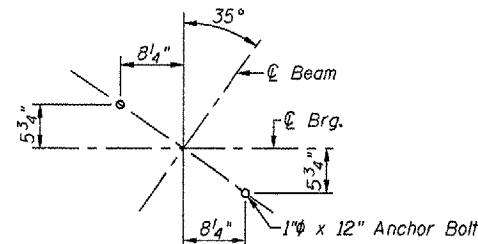


SECTION A-A



SIDE RETAINER

Weight included with Structural Steel.



ANCHOR BOLT SETTING DETAIL
(SOUTH ABUTMENT)

TABLE A

(Shim Plate Thickness)

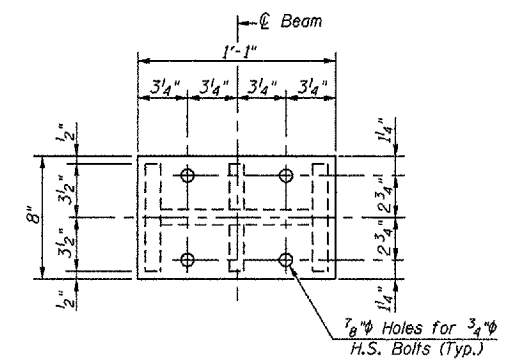
Beam No.	1	2	3	4	5	6
S. Abutment	0"	1/8"	0"	1/8"	1/4"	7/16"

* Thicknesses shown are from existing plans. Contractor shall field verify prior to ordering material.

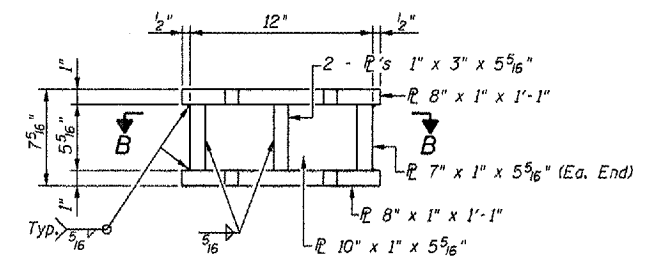
Notes:

For anchor bolt installation details, see Sheet 11 of 18. See Sheet 10 of 18 for Jack and Remove Existing Bearings procedure.

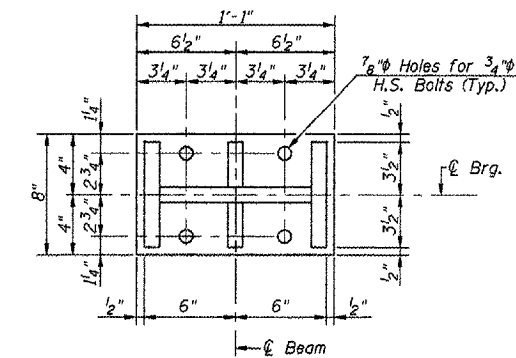
All dimensions are at right angles unless noted otherwise. Anchor bolts, side retainers, shim plates and steel extensions are included with "Furnishing and Erecting Structural Steel".



PLAN - TOP PLATE



STEEL EXTENSION AT NORTH ABUTMENT



SECTION B-B

BILL OF MATERIAL

Item	Unit	Total
Elastomeric Bearing Assembly Type II	Each	6
Jack and Remove Existing Bearings	Each	6
Furnishing and Erecting Structural Steel	Pound	960

BEARING DETAILS - SOUTH ABUTMENT

IL. ROUTE 29 OVER CRANE CREEK

F.A.P. ROUTE 656 - SECTION (11)

TAZEWELL COUNTY

STA. 166+53.50

S.N. 090-0053

DESIGNED - MAH
CHECKED - APH
DRAWN - JRP
CHECKED - MAH

I-2-E2 10-31-02