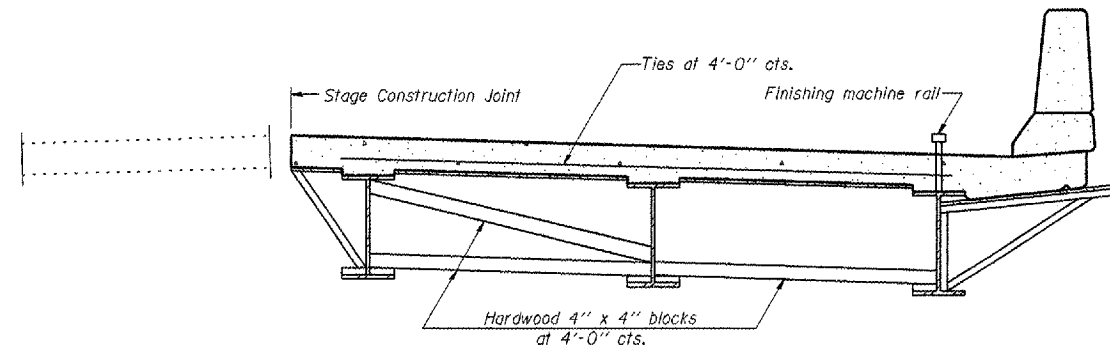


STATE OF ILLINOIS  
DEPARTMENT OF TRANSPORTATION

ROUTE NO.	SECTION	COUNTY	TOTAL SHEETS	SHEET NO.
F.A.P. 656	(D)	TAZEWELL	32	29
FED. ROAD DIST. NO. 4		ILLINOIS	FED. AID PROJECT	
CONTRACT NO. 68024				

SHEET NO. 18  
OF 18 SHEETS



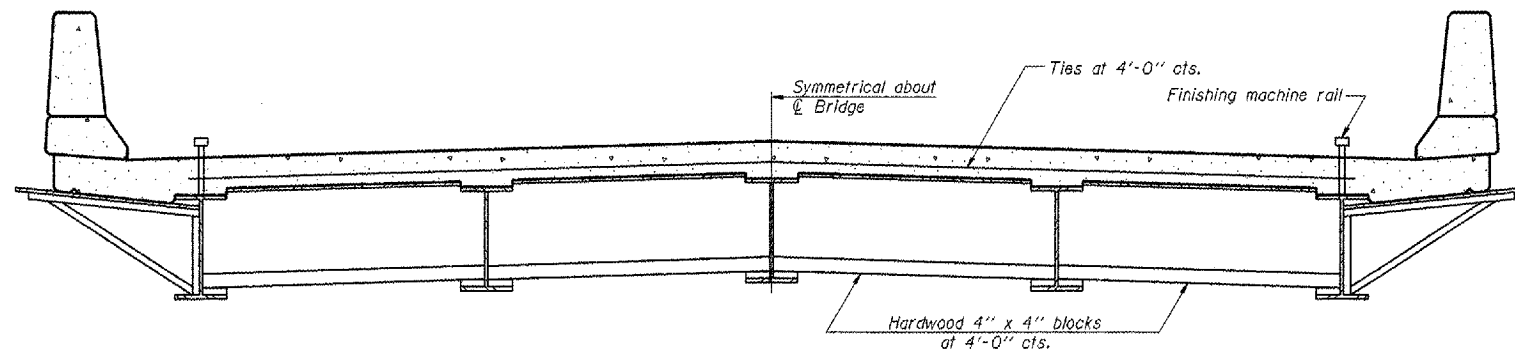
**FORM BRACES FOR  
STAGE CONSTRUCTION**

When cantilever forming brackets are used, the work shall be done according to Article 503.06(b) of the Standard Specifications, except as modified below and in the details shown on this sheet.

The finishing machine rails shall be placed on the top flange of the exterior beams.

The beams or girders, supporting cantilever forming brackets, shall be tied together at 4 foot intervals.

For Standard construction, or Stage Construction the Hardwood bracing materials shall be placed as shown between webs of beams in each bay.



**FORM BRACES FOR  
STANDARD CONSTRUCTION**

**CANTILEVER FORMING BRACKETS  
FOR SUPERSTRUCTURES WITH  
W27 BEAMS AND SMALLER  
IL. ROUTE 29 OVER CRANE CREEK  
F.A.P. ROUTE 656 - SECTION (D)  
TAZEWELL COUNTY  
STA. 166+53.50  
S.N. 090-0053**

SB-1

11-1-06