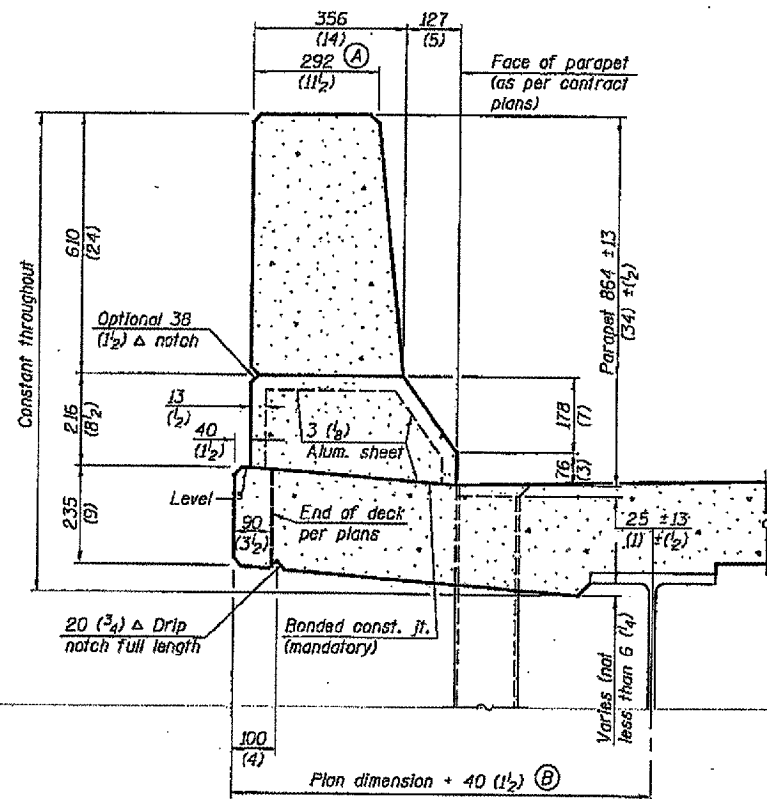
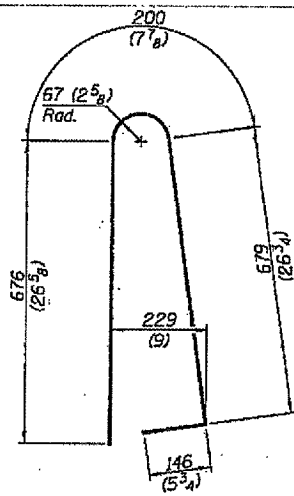


STATE OF ILLINOIS
DEPARTMENT OF TRANSPORTATION

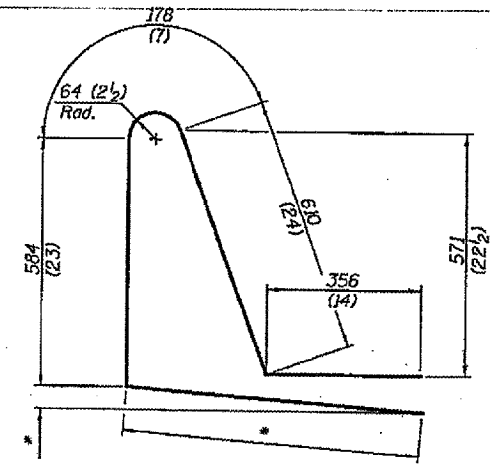
ROUTE NO.	SECTION	EMPHY	DATE	SHEET NO.	SHEET NO.
220	*	Mercer	50	35A	
Contract # 68085 * (23-6R)J					



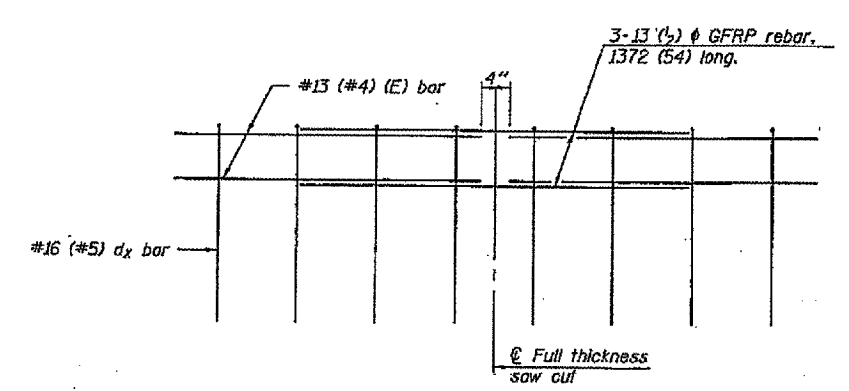
SECTION
(Showing dimensions)



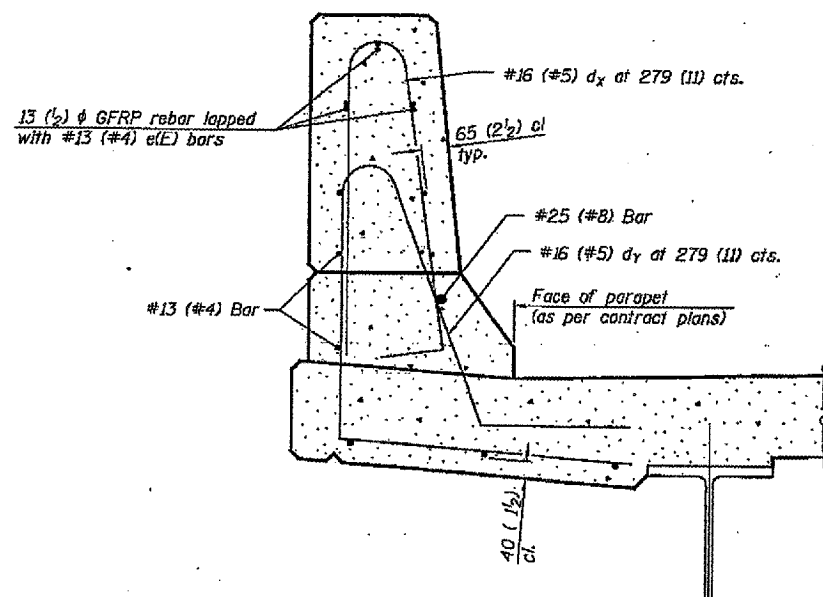
BAR dx(e)



BAR dy(e)
* Per contract plans



GFRP REBAR STIFFENING DETAIL
(Place as shown in parapet section)



SECTION
(Showing required reinforcement)

GENERAL NOTES
All dimensions shall remain the same as shown on contract plans, except dimensions A and B which are to be revised as shown to provide additional clearance. Additional concrete needed to revise dimension A and B= 0.0422 m³/m (0.165 cu. yds./ft.) of parapet. Place aluminum sheet in curb portion of and near piers. Full thickness saw cut at all other locations. Adjust/add joint locations to maintain 3 to 6 meter (10 to 20 foot) spacing.

**CONCRETE PARAPET
SLIPFORMING OPTION**