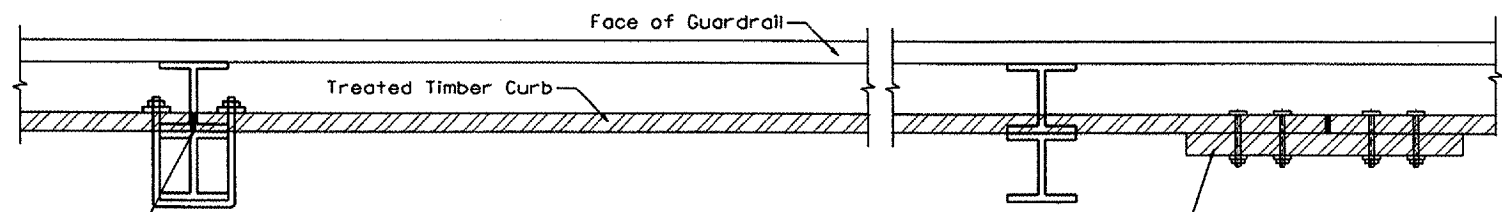


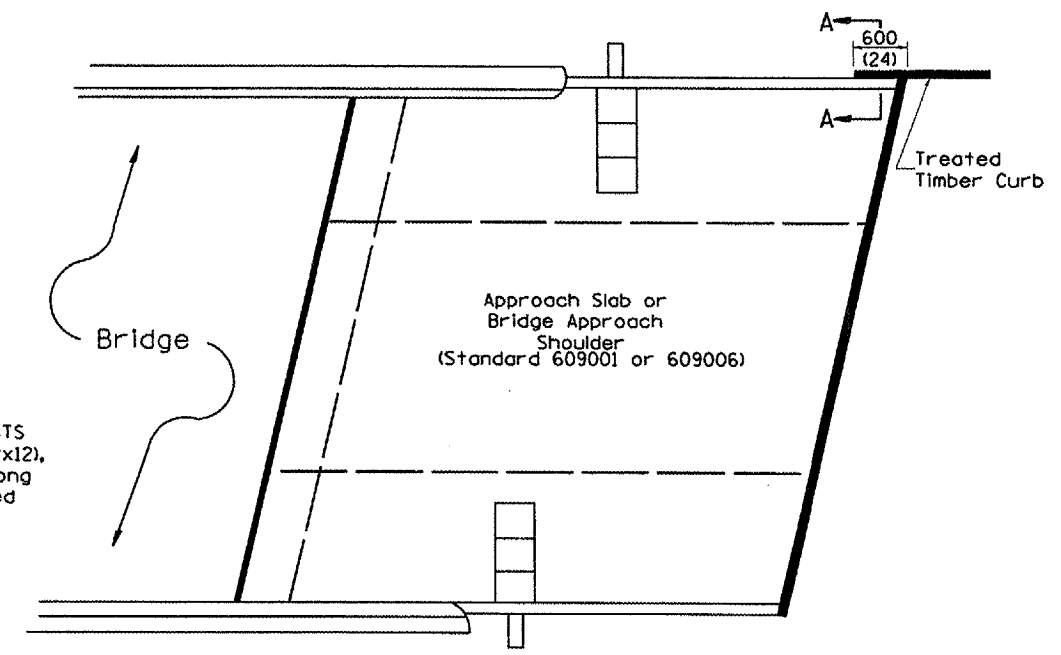
F.A.S. RTE.	SECTION	COUNTY	TOTAL SHEETS	SHEET NO.
220	(23-BR) I	Mercer	50	42
STA. 99+71		TO STA. 109+76		
FED. ROAD DIST. NO. 7 ILLINOIS FED. AID PROJECT				



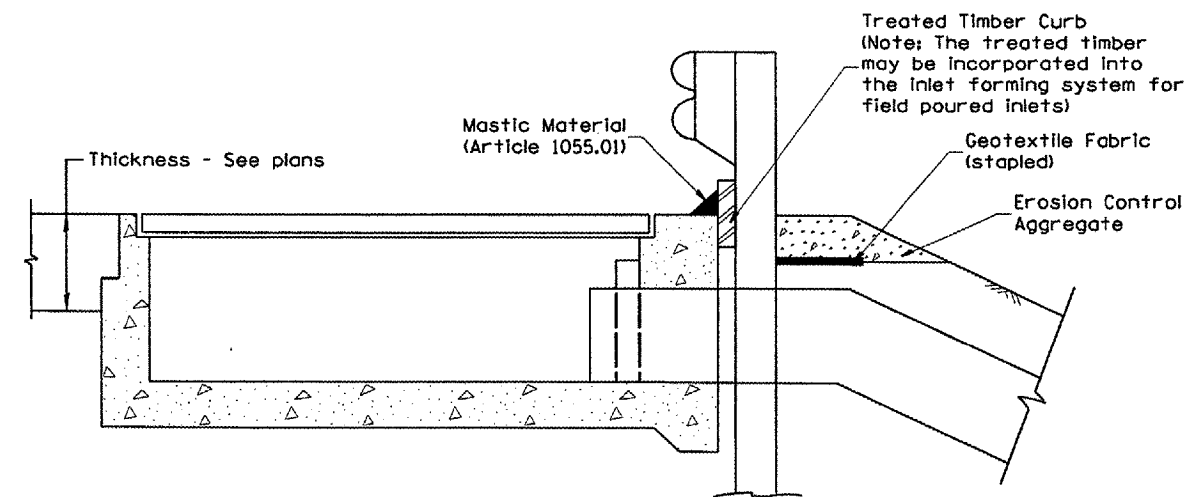
SPLICE LOCATED AT GUARDRAIL POST  
M12(1/2) galvanized U-bolt with  
nut & washer

SPLICE LOCATED BETWEEN GUARDRAIL POSTS  
treated timber splice plate 50x300 (2x12),  
actual size 40x290 (1 1/2 x 1 1/2), 600(24) long  
with 8 evenly spaced M12(1/2) galvanized  
bolts with nuts & washers.

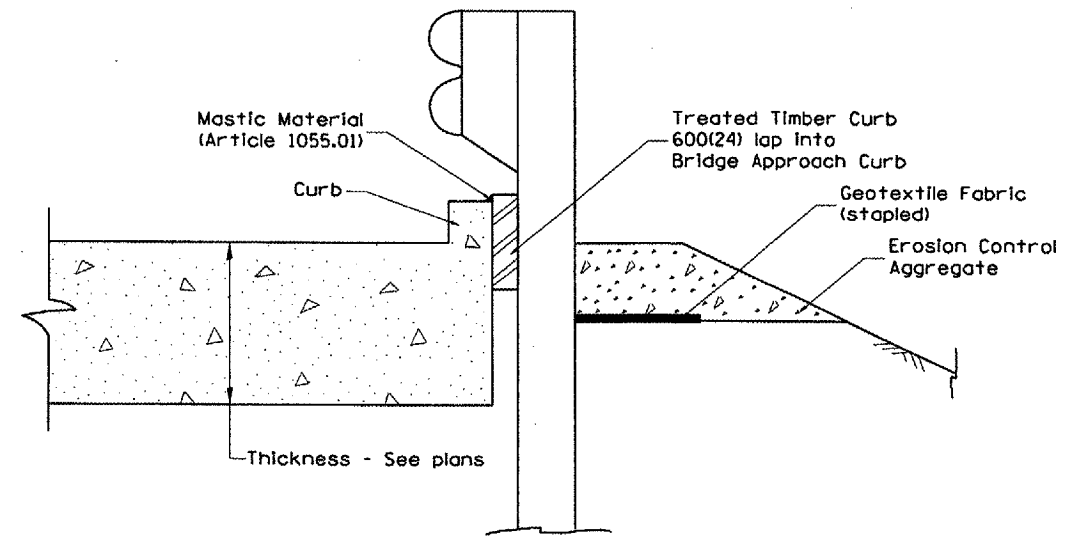
**DETAIL A**  
(Typical Treated Timber Splices)



**PLAN VIEW**  
**APPROACH SLAB OR BRIDGE APPROACH SHOULDER**  
(STANDARD 609001 or 609006)



**TYPICAL SECTION WITH EROSION CONTROL CURB**  
**AT INLETS TYPE E & F (STANDARD 610001)**



**SECTION A-A**  
**TYPICAL SECTION WITH EROSION CONTROL CURB**  
**AT BRIDGE APPROACH CURB**  
(STANDARD 609001 OR 609006)

All dimensions are in millimeters  
(inches) unless otherwise noted.

ILLINOIS DEPARTMENT OF TRANSPORTATION	
DISTRICT CADD STANDARD	
GUARDRAIL EROSION CONTROL TREATMENTS	
CADD STD NO. 630101-D4(2)	SHEET 2 OF 2
SCALE: NOT DRAWN TO SCALE	DRAWN BY CADD
DATE JAN 2003	CHECKED BY

\$\$\$DATE\$\$\$

\*DGN-ONLY\*