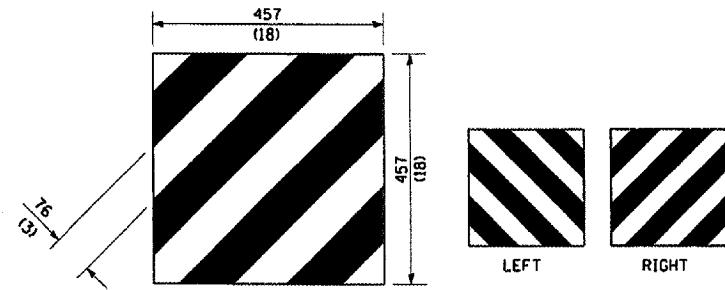
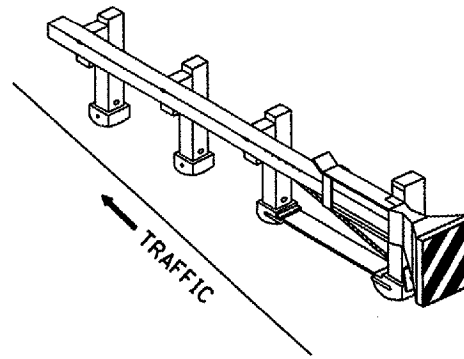


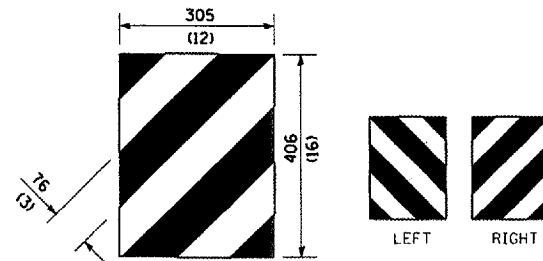
F.A.S. ATE.	SECTION	COUNTY	TOTAL SHEETS	SHEET NO.
220	(23-BR) I	Mercer	50	44
STA. 99+71		TO STA. 109+76		
FED. ROAD DIST. NO. 7 ILLINOIS FED. AID PROJECT				



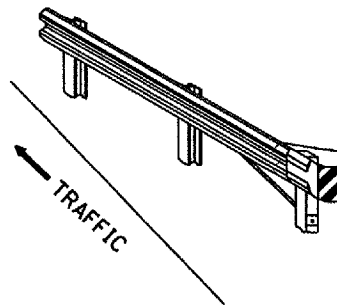
For Traffic Barrier Terminal Type 1 (Special)



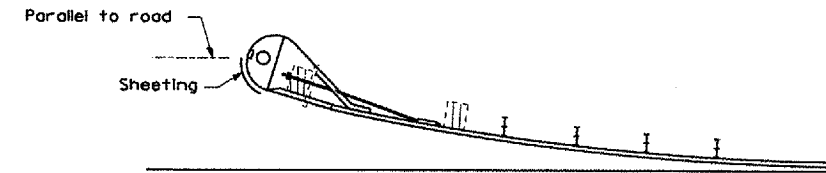
Standard Treatment - Direct Applied Sheeting
Traffic Barrier Terminal Type 1 (Special)



For Traffic Barrier Terminal Type (*)
and Post Mount
• See Plans for Type



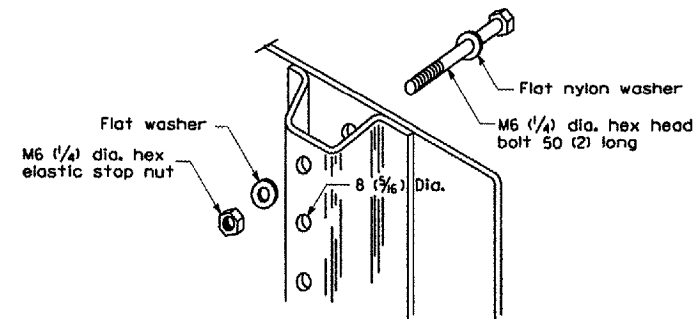
Standard Treatment - Direct Applied Sheeting
Traffic Barrier Terminal Type (*)
• See Plans for Type



Sheeting Position for
Traffic Barrier Terminal Type (*)
• See Plans for Type

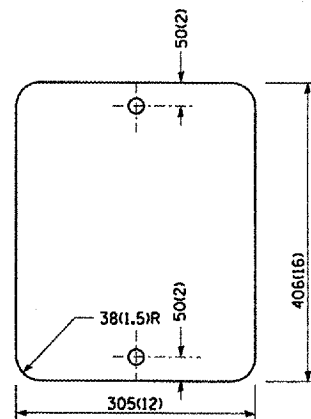
TERMINAL MARKER DETAILS

- Color: Black / Yellow reflectorized
- OM - I100 (L or R) Direct applied reflective sheeting
- OM - I200 (L or R) Post mounted

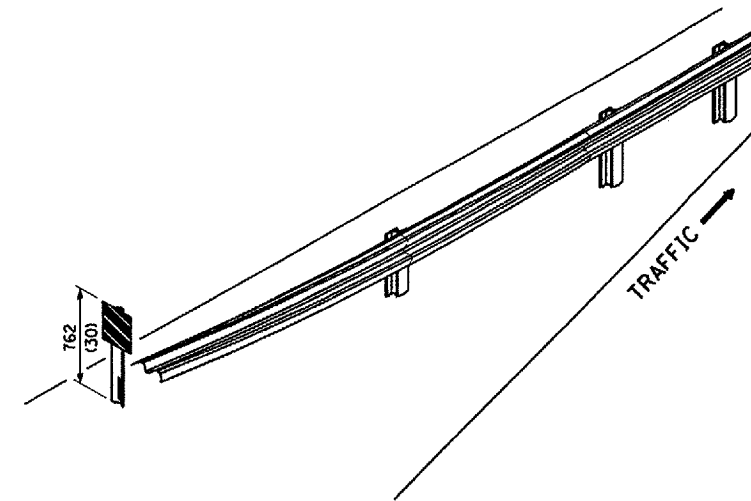


DETAIL OF MOUNTING TERMINAL MARKER TO POST

POST MOUNTED TERMINAL MARKER ASSEMBLY



STANDARD TERMINAL MARKER



ALTERNATE TREATMENT - POST MOUNTED
(For turned-down terminal where sheeting cannot be direct applied)

TERMINAL MARKER TREATMENTS

GENERAL NOTES

All dimensions are in millimeters (inches) unless otherwise noted.

ILLINOIS DEPARTMENT OF TRANSPORTATION
DISTRICT CADD STANDARD

GUARDRAIL AND
BARRIER WALL DELINEATION

CADD STD. NO. 635101-D4 SHEET 2 OF 3
SCALE: NOT DRAWN TO SCALE DRAWN BY CADD
DATE JAN 2003 CHECKED BY

\$\$\$DATE\$\$\$

DGN-ONLY