

DRILLED SHAFT DATA

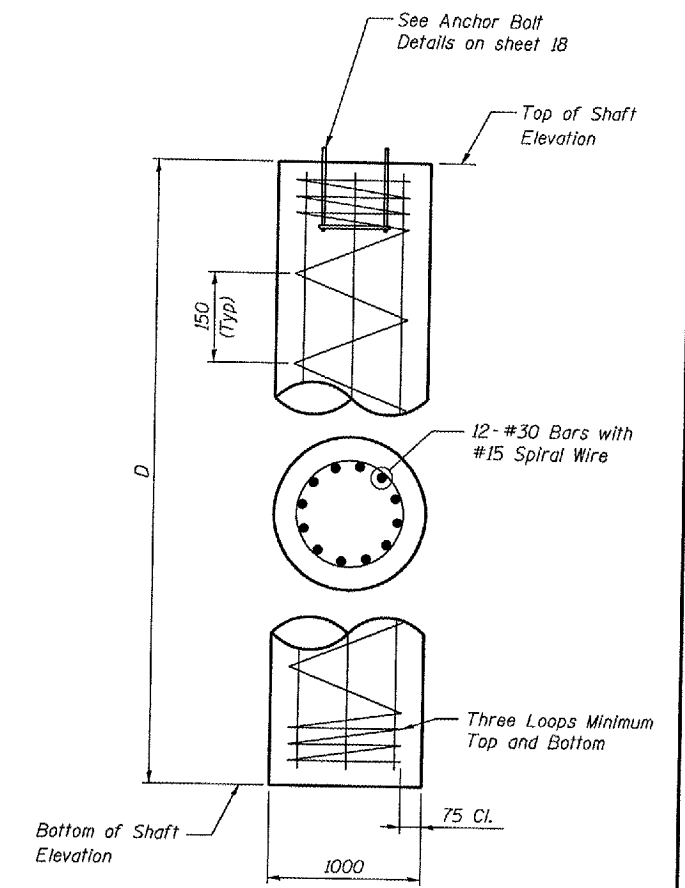
Drilled Shaft Number	EB I-74 Mainline Station	Offset Rt (m)	Finished Ground Elevation	Top of Shaft Elevation	Estimated Bottom of Shaft Elevation	Shaft Depth, D (m)	Shaft Diameter (m)	Reinforcement Bars, Epoxy Coated (kg)	Concrete Volume (Cu. m)
1	142+916.64	49.504	201.388	201.112	196.112	5.000	1.000	463.0	3.927
2	142+920.65	48.925	201.262	200.983	195.983	5.000	1.000	463.0	3.927
3	142+924.68	49.348	201.133	200.820	195.820	5.000	1.000	463.0	3.927
4	142+928.69	48.744	200.970	200.682	195.682	5.000	1.000	463.0	3.927
5	142+932.73	49.139	200.832	200.504	195.504	5.000	1.000	463.0	3.927
6	142+936.73	48.508	200.654	200.436	195.436	5.000	1.000	463.0	3.927
7	142+940.41	46.894	200.586	200.257	195.257	5.000	1.000	463.0	3.927
8	142+944.46	46.749	200.407	200.069	195.069	5.000	1.000	463.0	3.927
9	142+948.41	47.602	200.219	199.897	194.897	5.000	1.000	463.0	3.927
10	142+952.27	46.432	200.047	199.711	194.711	5.000	1.000	463.0	3.927
11	142+956.32	46.247	199.861	199.711	194.711	5.000	1.000	463.0	3.927
12	142+960.27	47.061	199.901	199.642	194.642	5.000	1.000	463.0	3.927
13	142+964.32	46.850	199.792	199.254	194.254	5.000	1.000	463.0	3.927
14	142+967.70	44.717	199.414	199.114	194.114	5.000	1.000	463.0	3.927
15	142+971.68	44.042	199.264	198.958	193.958	5.000	1.000	463.0	3.927
16	142+975.70	44.368	199.108	198.743	193.743	5.000	1.000	463.0	3.927
17	142+979.67	43.667	198.893	198.675	193.675	5.000	1.000	463.0	3.927
18	142+983.70	43.966	198.825	198.675	193.675	5.000	1.000	463.0	3.927
19	142+987.52	45.246	199.008	198.675	193.675	5.000	1.000	463.0	3.927
20	142+991.55	45.518	199.012	198.858	193.858	5.000	1.000	463.0	3.927
21	142+995.51	44.765	199.029	198.862	193.862	5.000	1.000	463.0	3.927
22	142+999.55	45.012	199.160	198.879	193.879	5.000	1.000	463.0	3.927
23	143+003.39	46.241	199.533	199.010	194.010	5.000	1.000	463.0	3.927
24	143+007.43	46.462	199.942	199.383	194.383	5.000	1.000	463.0	3.927
25	143+011.38	45.657	200.323	199.792	194.792	5.000	1.000	463.0	3.927
26	143+015.24	46.848	200.725	200.173	195.173	5.000	1.000	463.0	3.927
27	143+019.28	47.030	200.932	200.575	195.575	5.000	1.000	463.0	3.927
28	143+023.15	48.196	201.135	200.782	195.782	5.000	1.000	463.0	3.927
29	143+027.20	48.350	201.333	200.985	195.985	5.000	1.000	463.0	3.927
30	143+031.15	47.481	201.540	201.183	196.183	5.000	1.000	463.0	3.927
31	143+035.02	48.610	201.710	201.390	196.390	5.000	1.000	463.0	3.927
32	143+039.08	48.724	201.937	201.560	196.560	5.000	1.000	463.0	3.927
33	143+042.97	49.828	202.143	201.787	196.787	5.000	1.000	463.0	3.927
34	143+047.03	49.916	202.231	201.993	196.993	5.000	1.000	463.0	3.927
35	143+050.97	48.982	202.342	202.081	197.081	5.000	1.000	463.0	3.927
36	143+055.02	49.044	202.416	202.192	197.192	5.000	1.000	463.0	3.927
37	143+058.93	50.096	202.490	202.266	197.266	5.000	1.000	463.0	3.927
38	143+062.99	50.132	202.576	202.340	197.340	5.000	1.000	463.0	3.927
39	143+066.92	49.147	202.627	202.315	197.315	5.000	1.000	463.0	3.927
40	143+070.97	49.154	202.465	202.171	197.171	5.000	1.000	463.0	3.927
41	143+074.90	50.156	202.321	202.007	197.007	5.000	1.000	463.0	3.927
42	143+078.96	50.137	202.157	201.841	196.841	5.000	1.000	463.0	3.927
43	143+082.87	49.101	201.991	201.679	196.679	5.000	1.000	463.0	3.927
44	143+086.93	49.056	201.829	201.225	196.225	5.000	1.000	463.0	3.927
45	143+090.83	47.994	201.375	201.030	196.030	5.000	1.000	463.0	3.927
46	143+094.88	47.923	201.180	200.992	195.992	5.000	1.000	463.0	3.927
47	143+098.82	48.846	201.142	200.743	195.743	5.000	1.000	463.0	3.927
48	143+102.87	48.748	200.893	200.333	195.333	5.000	1.000	463.0	3.927
49	143+106.75	47.636	200.483	200.084	195.084	5.000	1.000	463.0	3.927
50	143+110.80	47.511	200.234	199.814	194.814	5.000	1.000	463.0	3.927
51	143+114.75	48.382	199.964	199.456	194.456	5.000	1.000	463.0	3.927
52	143+118.80	48.232	199.606	199.005	194.005	5.000	1.000	463.0	3.927
53	143+122.67	47.068	199.155	198.643	193.643	5.000	1.000	463.0	3.927
54	143+126.72	46.890	198.793	198.352	193.352	5.000	1.000	463.0	3.927
55	143+130.68	47.710	198.502	197.993	192.993	5.000	1.000	463.0	3.927
56	143+134.72	47.506	198.143	197.580	192.580	5.000	1.000	463.0	3.927

DRILLED SHAFT DATA

Drilled Shaft Number	EB I-74 Mainline Station	Offset Rt (m)	Finished Ground Elevation	Top of Shaft Elevation	Estimated Bottom of Shaft Elevation	Shaft Depth, D (m)	Shaft Diameter (m)	Reinforcement Bars, Epoxy Coated (kg)	Concrete Volume (Cu. m)
57	143+138.57	46.291	197.730	197.462	192.462	5.000	1.000	463.0	3.927
58	143+142.61	46.061	197.612	197.304	192.304	5.000	1.000	463.0	3.927
59	143+146.44	44.822	197.454	197.202	192.202	5.000	1.000	463.0	3.927
60	143+150.47	44.566	197.352	197.043	192.043	5.000	1.000	463.0	3.927
61	143+154.29	43.302	197.193	196.812	191.812	5.000	1.000	463.0	3.927
62	143+157.63	41.120	196.962	196.630	191.630	5.000	1.000	463.0	3.927
63	143+161.64	40.826	196.780	196.630	191.630	5.000	1.000	463.0	3.927
64	143+165.28	42.497	196.784	196.630	191.630	5.000	1.000	463.0	3.927
65	143+168.36	45.011	196.927	196.634	191.634	5.000	1.000	463.0	3.927
66	143+172.02	46.662	197.012	196.777	191.777	5.000	1.000	463.0	3.927
67	143+176.05	46.321	196.932	196.782	191.782	5.000	1.000	463.0	3.927
68	143+180.04	46.979	196.990	196.655	191.655	5.000	1.000	463.0	3.927
69	143+184.07	46.610	196.805	196.570	191.570	5.000	1.000	463.0	3.927
70	143+188.07	47.243	196.720	196.382	191.382	5.000	1.000	463.0	3.927
71	143+192.10	46.847	196.532	196.297	191.297	5.000	1.000	463.0	3.927
72	143+196.10	47.453	196.447	196.096	191.096	5.000	1.000	463.0	3.927
73	143+200.12	47.031	196.246	195.926	190.926	5.000	1.000	463.0	3.927
74	143+204.13	47.610	196.076	195.840	190.840	5.000	1.000	463.0	3.927
75	143+208.15	47.162	195.990	195.753	190.753	5.000	1.000	463.0	3.927
76	143+212.16	47.714	195.903	195.667	190.667	5.000	1.000	463.0	3.927
77	143+216.18	47.240	195.817	195.581	188.657	7.000	1.000	636.0	5.498
78	143+220.20	47.766	195.731	195.495	188.584	7.000	1.000	636.0	5.498
79	143+224.21	47.265	195.645	195.408	188.486	7.000	1.000	636.0	5.498
80	143+228.23	47.764	195.558	195.322	188.401	7.000	1.000	636.0	5.498
81	143+232.25	47.236	195.472	195.236	188.313	7.000	1.000	636.0	5.498
82	143+236.27	47.709	195.386	195.149	190.149	5.000	1.000	463.0	3.927
83	143+240.28	47.154	195.299	195.063	190.063	5.000	1.000	463.0	3.927
84	143+244.30	47.601	195.213	195.063	190.063	5.000	1.000	463.0	3.927
85	143+248.31	47.020	195.262	195.063	190.063	5.000	1.000	463.0	3.927
86	143+252.08	48.426	195.444	195.112	190.112	5.000	1.000	463.0	3.927
87	143+256.12	48.833	195.537	195.294	190.294	5.000	1.000	463.0	3.927
88	143+260.12	48.213	195.590	195.387	190.387	5.000	1.000	463.0	3.927
89	143+264.15	48.593	195.564	195.217	190.217	5.000	1.000	463.0	3.927
90	143+268.15	47.947	195.367	195.217	190.217	5.000	1.000	463.0	3.927
91	143+272.19	48.301	195.390	195.175	190.175	5.000	1.000	463.0	3.927
92	143+276.18	47.627	195.325	194.934	189.934	5.000	1.000	463.0	3.927
93	143+279.84	45.976	195.084	194.814	189.814	5.000	1.000	463.0	3.927
94	143+283.88	46.291	194.964	194.762	189.762	5.000	1.000	463.0	3.927
95	143+287.69	47.585	194.912	194.762	189.762	5.000	1.000	463.0	3.927

ROUTE NO.	SECTION	COUNTY	TOTAL SHEETS	SHEET NO.
F.A.I. I-74	#	Peoria	45	21
FED. ROAD DIST. NO. 4	ILLINOIS	FED. AID PROJECT-		

Contract # 68736 * D4 I-74 Noise Wall 2008



DRILLED SHAFT DETAILS

- NOTES:**
- All Reinforcement shall be Epoxy Coated.
 - Quantities in Table are for information only.

ILLINOIS DEPARTMENT OF TRANSPORTATION
SHAFT DETAILS
 NOISE ABATEMENT WALL
 F.A.I. RTE. 74 (I-74)
 SECTION D4 I-74 NOISE WALL 2008
 PEORIA COUNTY
 STA. 142+916.64 TO STA. 143+287.69
 STRUCTURE NUMBER 072-8554

benesch
 alfred benesch & company
 Engineers • Surveyors • Planners
 205 North Michigan Avenue, Suite 2400
 Chicago, Illinois 60601
 312-665-0460
 JOB NO. 3973

REVISIONS	
NAME	DATE

6/20/2007 4:15:22 PM c:\projects\data\3573\noise\wall\plans\3573nw_shaft1.dgn