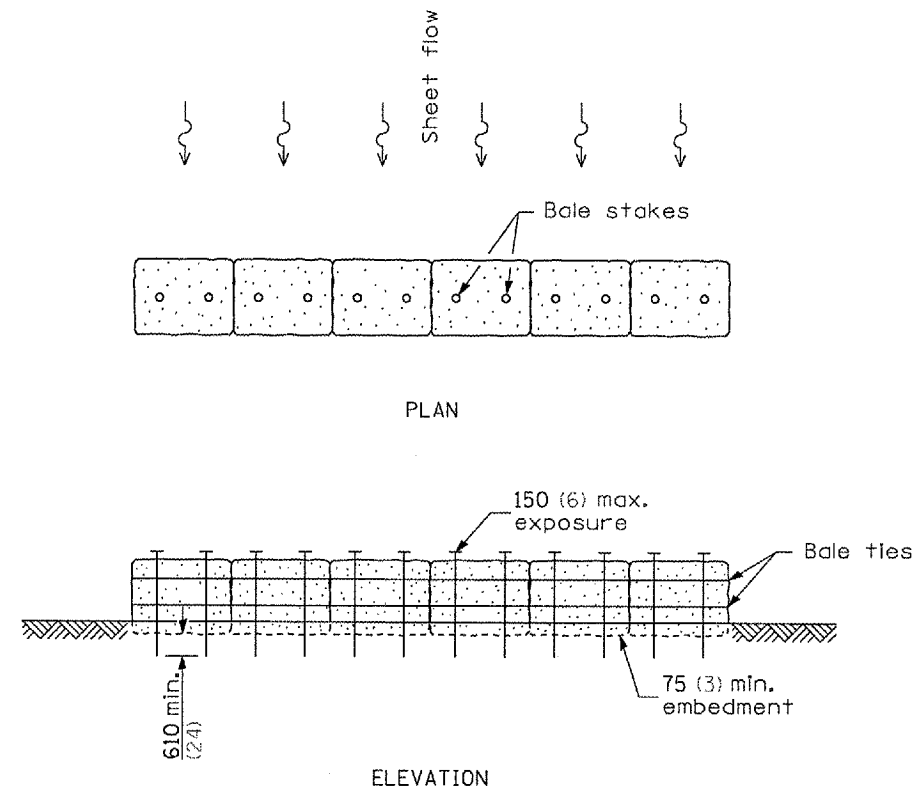
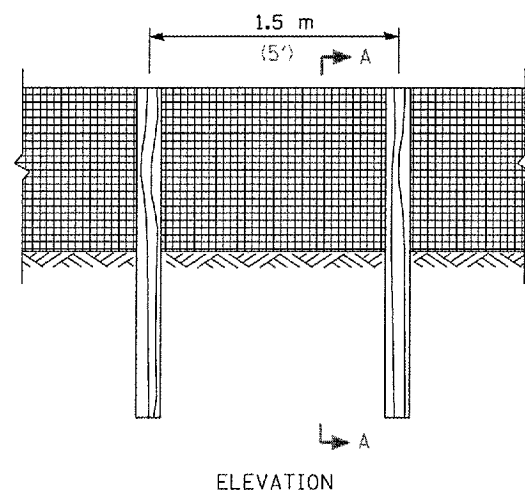


* When the ditch check is within the clear zone and the road is open to traffic, the traffic approach slope of the aggregate shall be 1:4 (V:H).

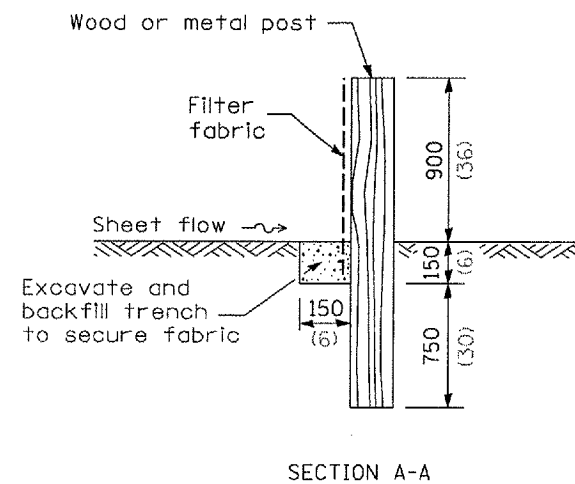
AGGREGATE DITCH CHECK



HAY OR STRAW BALES AS A PERIMETER EROSION BARRIER



SILT FILTER FENCE AS A PERIMETER EROSION BARRIER



GENERAL NOTES

The installation details and dimensions shown for perimeter erosion barriers shall also apply for inlet and pipe protection.

All dimensions are in millimeters (inches) unless otherwise shown.

TEMPORARY EROSION CONTROL SYSTEMS

(Sheet 1 of 2)

STANDARD 280001-03