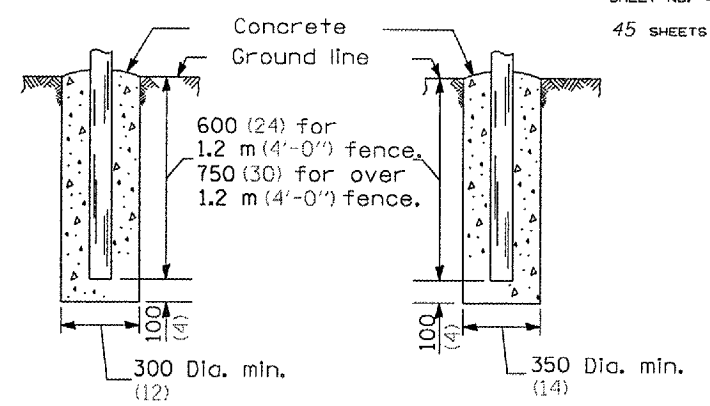


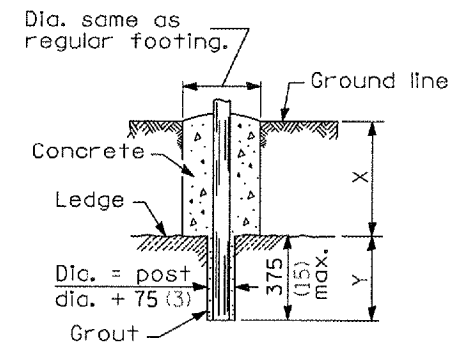
**PEDESTRIAN GATE ARRANGEMENT**

**VEHICLE GATE ARRANGEMENT**

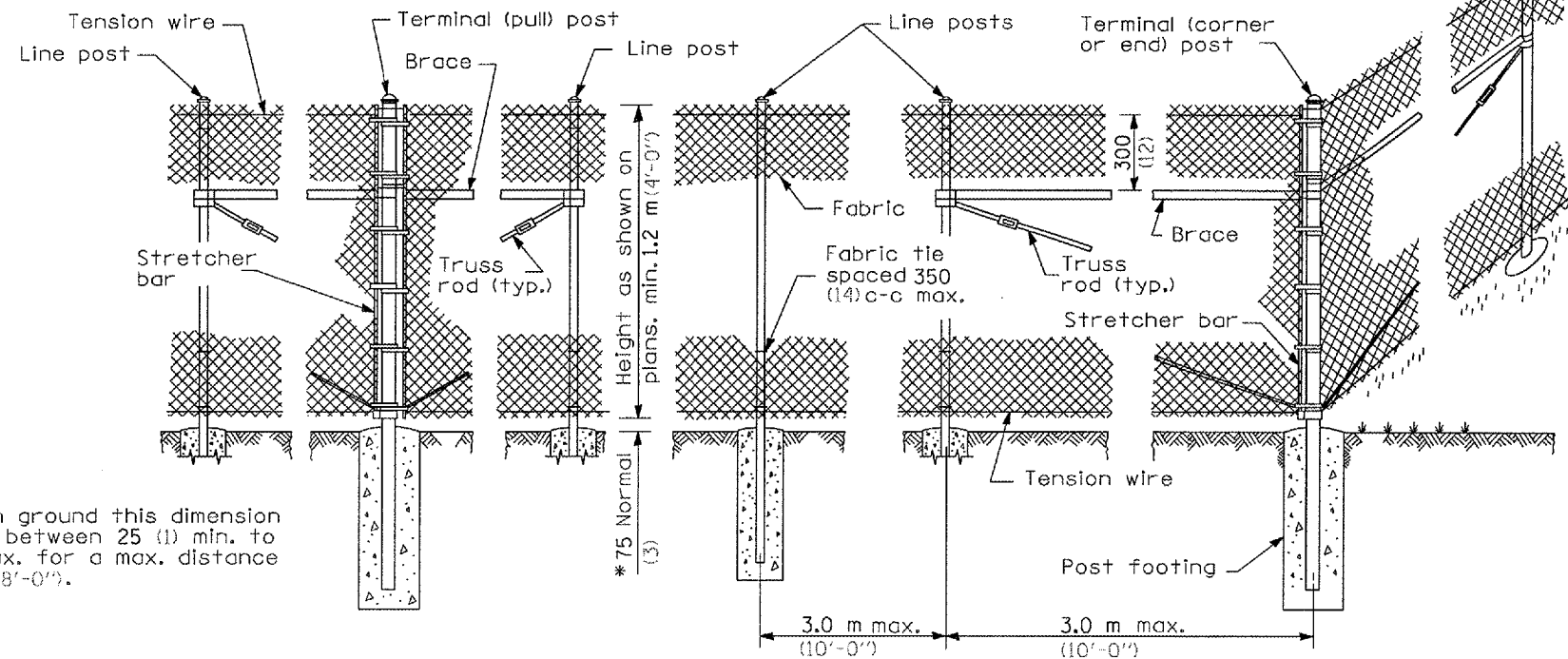


**FOOTING FOR LINE POST**

**FOOTING FOR GATE & TERMINAL POST**



**FOOTING FOR POST IN ROCK LEDGE**



**PULL POST ARRANGEMENT**

**LINE POST ARRANGEMENT**

**CORNER OR END POST ARRANGEMENT**

\* On uneven ground this dimension may vary between 25 (1) min. to 125 (5) max. for a max. distance of 2.4 m (8'-0").

**GENERAL NOTES**

Pull posts shall be placed at locations determined by the Engineer. They shall be placed at 200 m (660') intervals between posts to which the ends of the fabric are clamped or midway between such posts when the distance is less than 400 m (1320') and greater than 200 m (660').

X + Y shall not exceed 600 mm (24"), 750 mm (30") or 900 mm (36"), as applicable. When X is 0 (0) to 225 mm (9"), 380 mm (15"), or 525 mm (21"), Y = 375 mm (15"), and the post shall be shortened as required. When X exceeds 225 mm (9"), 380 mm (15"), or 525 mm (21"), Y shall be decreased correspondingly.

All dimensions are in millimeters (inches) unless otherwise shown.

**CHAIN LINK FENCE**

(Sheet 1 of 3)

**STANDARD 664001-01**