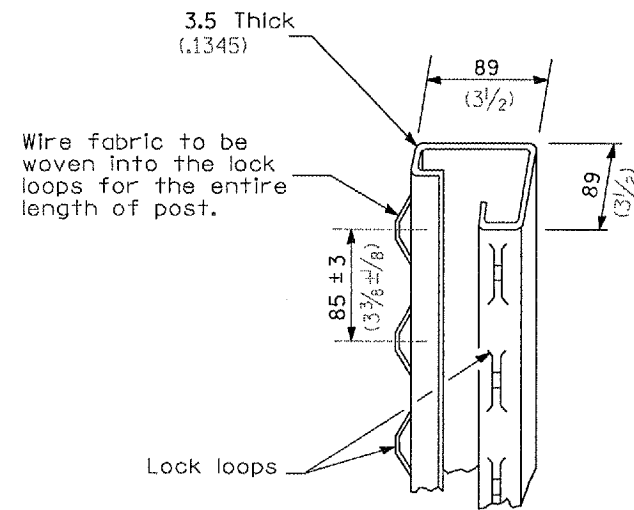
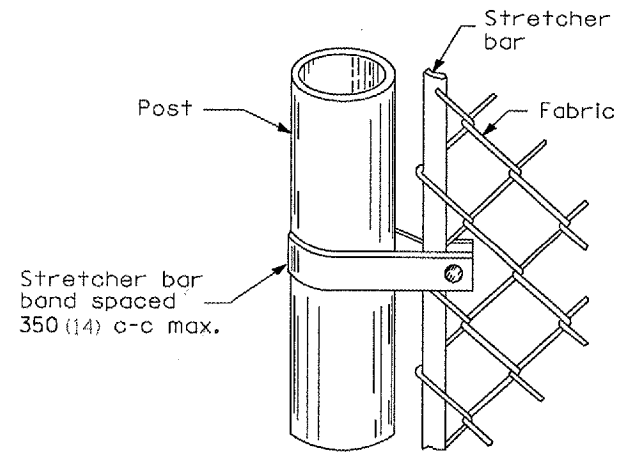


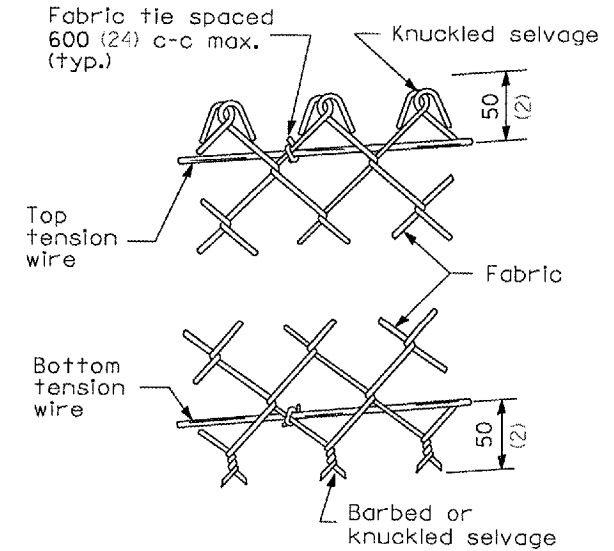
ROLL FORMED SECTION OF BRACE



ROLL FORMED SECTION OF TERMINAL & GATE POST



METHOD OF FASTENING STRETCHER BAR TO POST



METHOD OF TYING FABRIC TO TENSION WIRES

LINE POST		
Section		kg/m (lbs./ft.)
Pipe Type A 48.3 O.D. (1.90)		4.05 (2.72)
Pipe Type B 48.3 O.D. (1.90)		3.39 (2.28)
Pipe Type C 48.3 O.D. (1.90)		3.36 (2.26)
H 47.6x41.3 (1.875x1.625)		4.05 (2.72)
□		2.38 (1.60)
I		3.42 (2.30)

TERMINAL POST		
Section		kg/m (lbs./ft.)
Pipe Type A 60.3 O.D. (2.375)		5.43 (3.65)
Pipe Type B 60.3 O.D. (2.375)		4.63 (3.11)
Pipe Type C 60.3 O.D. (2.375)		4.60 (3.09)
Roll Formed 89.0x89.0 (3 1/2 x 3 1/2)		See detail
Sq. Tubing 63.5x63.5 (2 1/2 x 2 1/2)		6.43 (4.32)

HORIZONTAL BRACES		
Section		kg/m (lbs./ft.)
Pipe Type A 42.2 O.D. (1.66)		3.38 (2.27)
Pipe Type B 42.2 O.D. (1.66)		2.72 (1.83)
Pipe Type C 42.2 O.D. (1.66)		2.71 (1.82)
H 33.3x38.1 (1.31x1.5)		3.35 (2.25)
Roll Formed 41.3x31.8 (1 5/8 x 1 1/4)		See detail

GATE FRAMES		
Section		kg/m (lbs./ft.)
Pipe Type A 42.2 O.D. (1.66)		3.38 (2.27)
Pipe Type B 42.2 O.D. (1.66)		2.72 (1.83)
Pipe Type C 42.2 O.D. (1.66)		2.71 (1.82)

GATE POSTS *							
Gate Opening * m (ft.)		Pipe Type A		Sq. Tubing		Pipe Type B	
Single	Double	Size (O.D.)	kg/m (lbs./ft.)	Size	kg/m (lbs./ft.)	Size (O.D.)	kg/m (lbs./ft.)
Up to 1.2 (4)	Up to 2.5 (8)	60.3 (2.375)	5.43 (3.65)	63.5 (2 1/2)	6.43 (4.32)	60.3 (2.375)	4.63 (3.11)
Over 1.2 to 2.5 (4) (8)	Over 2.5 to 5.0 (8) (16)	73.0 (2.875)	8.62 (5.79)	76.2 (3)	8.60 (5.78)	73.0 (2.875)	6.91 (4.64)
Over 2.5 to 3.6 (8) (12)	Over 5.0 to 7.4 (16) (24)	89.0 (3.5)	11.28 (7.58)	76.2 (3)	13.10 (8.80)	89.0 (3.5)	8.49 (5.707)

\* The 89.0 x 89.0 (3 1/2 x 3 1/2) roll formed section as detailed may be used as gate posts for single gate up to 1.8 m (6') and double gate up to 3.6 m (12').

All dimensions are in millimeters (inches) unless otherwise shown.

CHAIN LINK FENCE

(Sheet 2 of 3)

STANDARD 664001-01