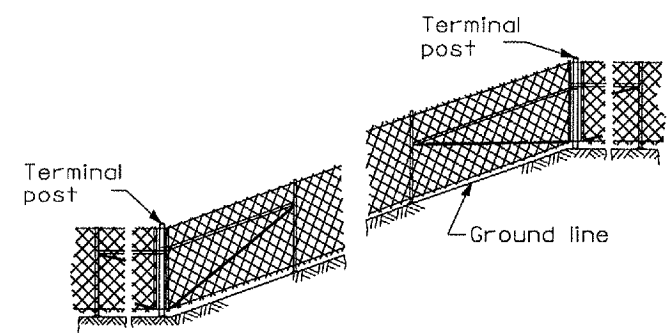
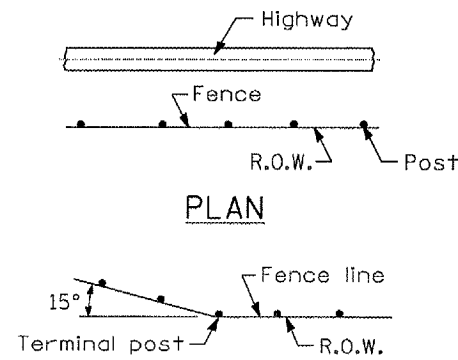


PROTECTIVE ELECTRICAL GROUNDS

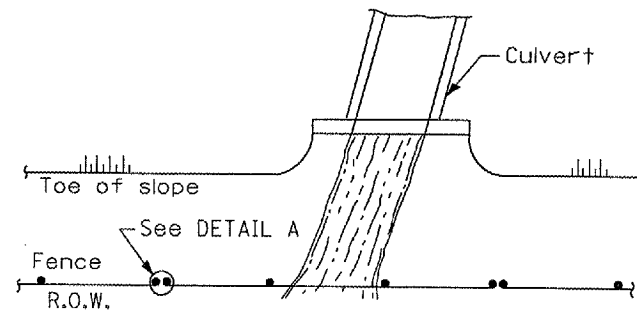


INSTALLATION ON SLOPES

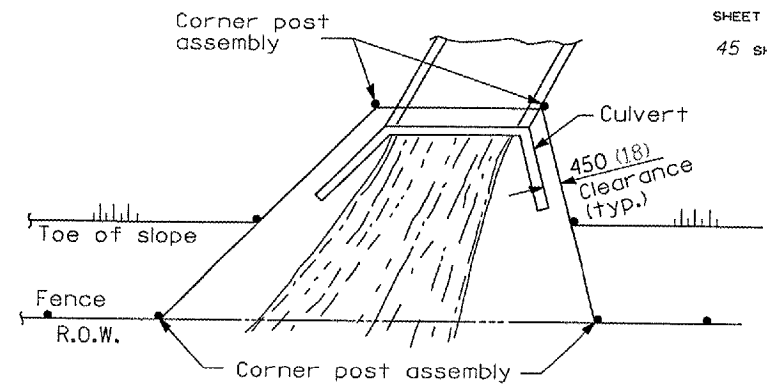


When fence line has a change in direction of 15° or more, a terminal post shall be placed as shown above.
 Where angle is less than 15° and existing conditions require a terminal post, they shall be placed as directed by the Engineer.

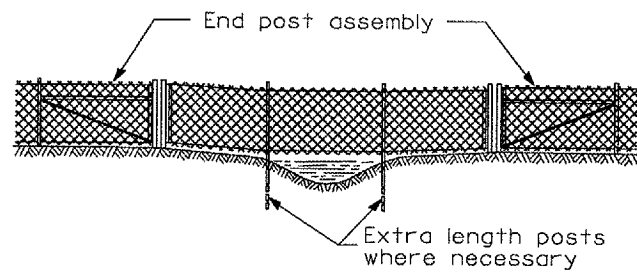
INSTALLATION AT CORNERS



PLAN AT STREAM CROSSING

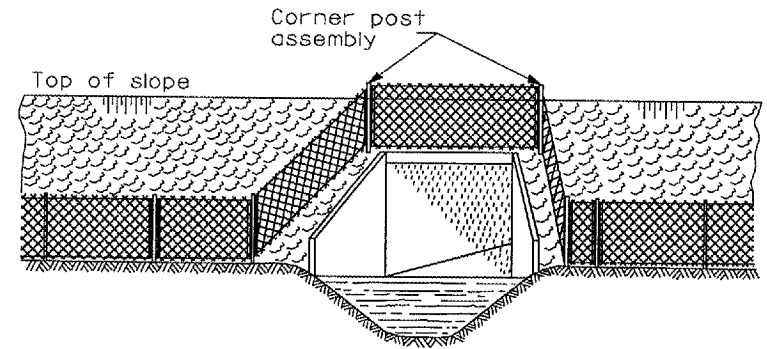


PLAN AT HEADWALL

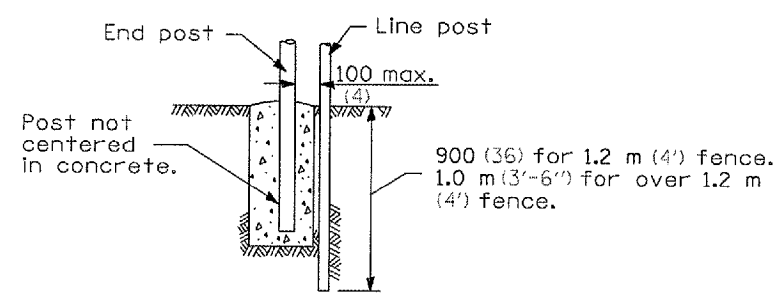


The chain link fabric shall be replaced by barbed wire strands at 300 (12) maximum centers between the double posts shown on DETAIL A when shown on the plans.

ELEVATION INSTALLATION OVER STREAM



ELEVATION INSTALLATION AROUND HEADWALL



DETAIL A

All dimensions are in millimeters (inches) unless otherwise shown.

CHAIN LINK FENCE

(Sheet 3 of 3)

STANDARD 664001-01