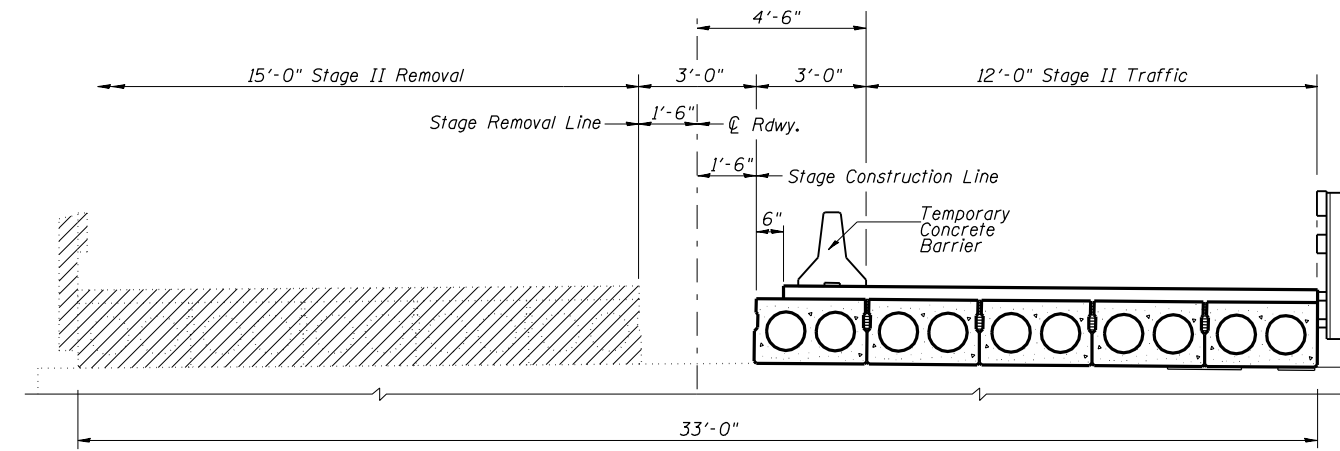
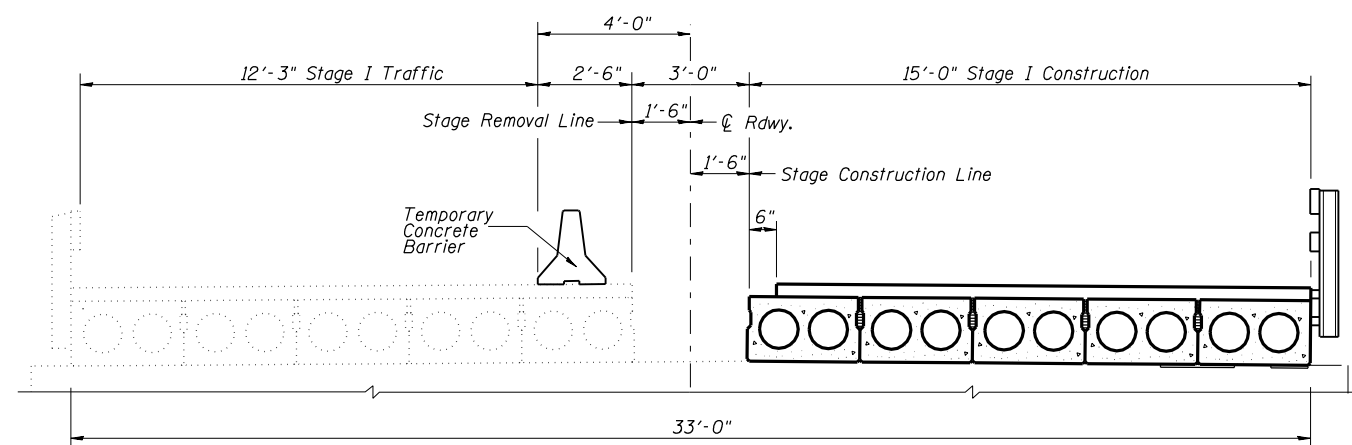


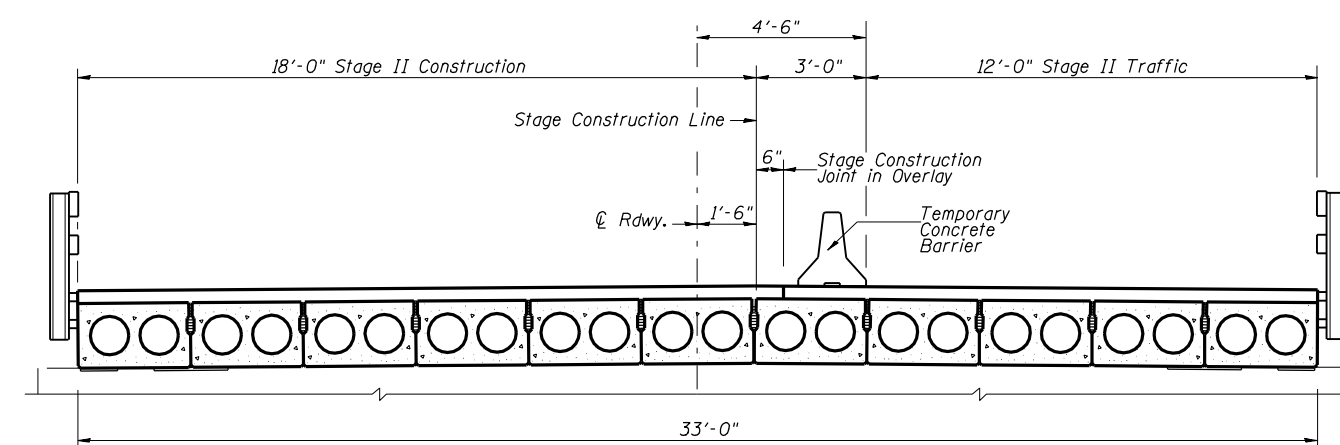
STAGE I REMOVAL



STAGE II REMOVAL



STAGE I CONSTRUCTION



STAGE II CONSTRUCTION

Notes:  
 All cross-sections are looking north.  
 Hatched area indicates Removal  
 of Existing Superstructure.  
 For Temporary Concrete Barrier Details  
 see sheet 3 of 10.

DESIGNED	BAN
CHECKED	JOH
DRAWN	TC
CHECKED	BAN

**STAGE CONSTRUCTION DETAILS**  
**ILLINOIS ROUTE 96 OVER**  
**HOMAN CREEK**  
**F.A.U. RT. 7825 SEC. (K-15D)BR**  
**ADAMS COUNTY**  
**STATION 132+83.00**  
**STR. NO. 001-0031**

**HUTCHISON ENGINEERING, INC.**  
**JACKSONVILLE, ILLINOIS**  
 Rev: \_\_\_\_\_ Date: \_\_\_\_\_