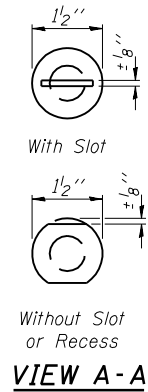
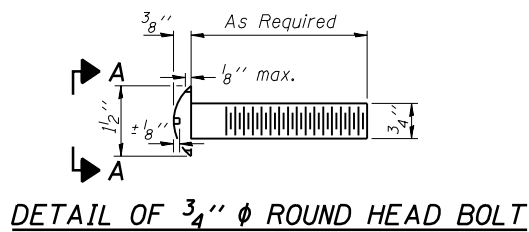


FOR RAIL POST SPACING SEE SH. #9 OF 12

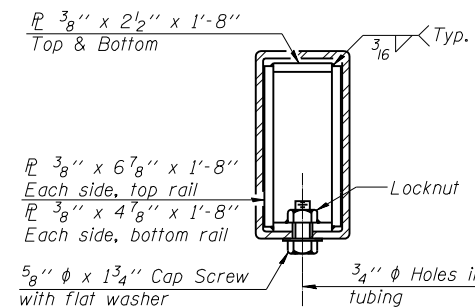
ROUTE NO.	SEC.	COUNTY	TOTAL SHEETS	SHEET NO.
FAP 753	*	MORGAN	40	27
FED. ROAD DIST. NO. 7		ILLINOIS	PROJECT	CONTRACT NO. 72AB9
* 128BR-1				



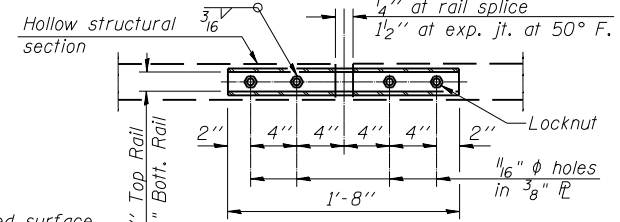
4-3/4" ϕ x 6" Round Head Bolts (With slot or approved recess in head) with locknut & flat washer. 7/8" ϕ holes in hollow structural section may be drilled in the field.

RAIL SPLICE CONNECTION AT EXPANSION JT.

1/8" x 2 1/2" Slotted Holes in hollow structural section
 5/8" ϕ x 1 3/4" Cap Screw with flat washer & 3/4" ϕ XS pipe spacer, 1/2" long.



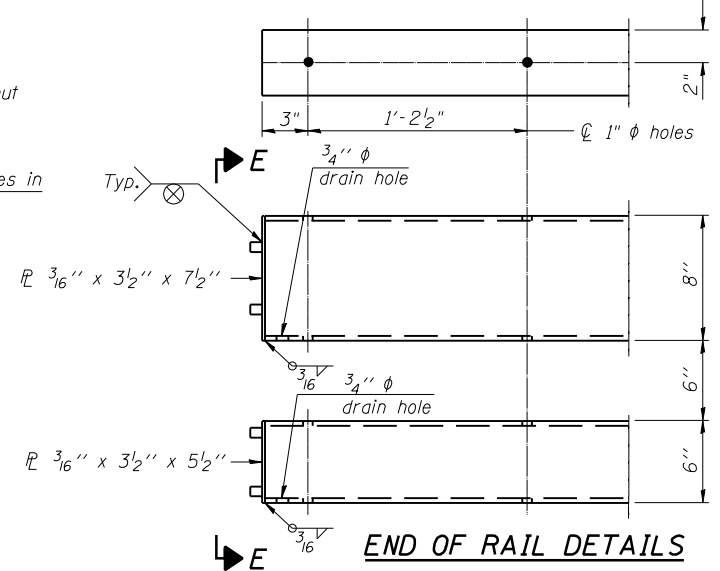
SECTION AT RAIL SPLICE



PLAN-BOTT. SPLICE P TYPICAL

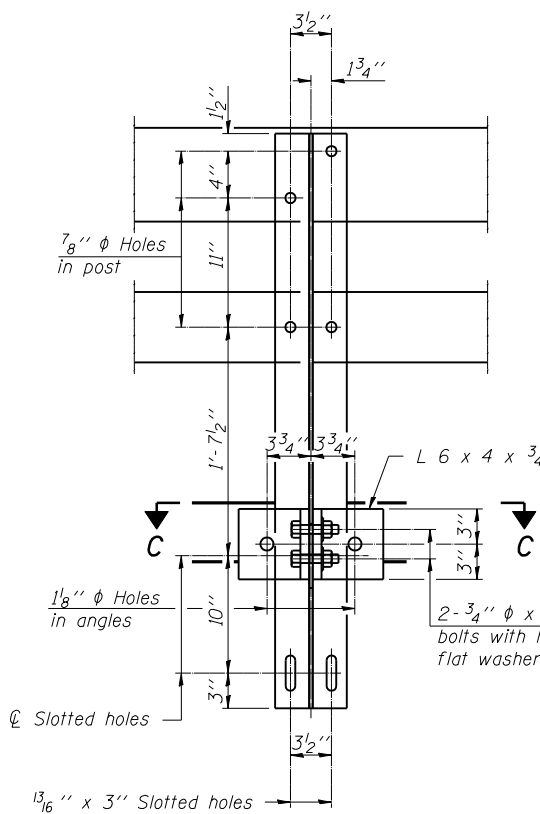
1/4" at rail splice
 1/2" at exp. jt. at 50° F.
 Hollow structural section
 2 1/2" Top Rail
 2 3/8" Bott. Rail
 Locknut
 1/16" ϕ holes in 3/8" ϕ

VIEW E-E

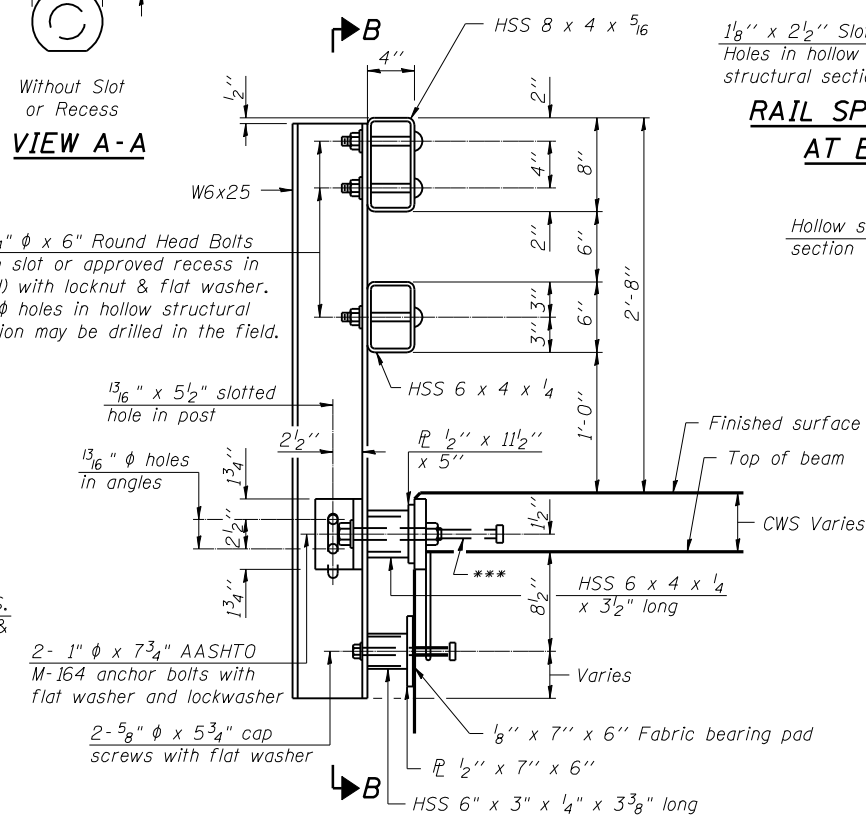


END OF RAIL DETAILS

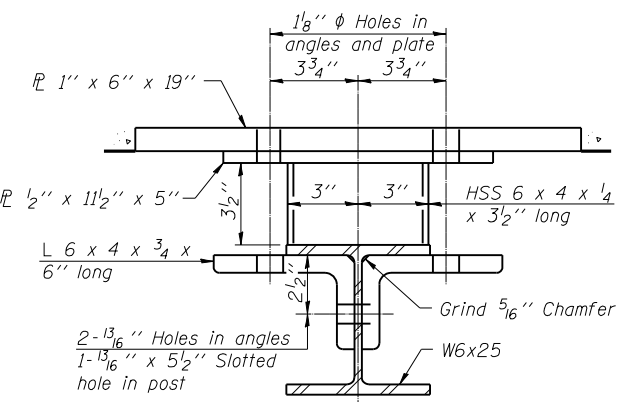
Notes:
 All field drilled holes shall be coated with an approved zinc rich paint before erection.
 For multi-span bridges, sufficient 1/4" x 6" x 1'-2" galvanized steel shims shall be provided to align rail between adjacent spans. Cost included with Steel Railing, Type SM.
 Steel rail elements shall be galvanized according to Article 509.05 of the Standard Specifications.
 *** The studs of the anchor devices shall be placed below the top reinforcement bars and the outermost longitudinal reinforcement bar shall be placed directly above the studs of the rail post anchor device.



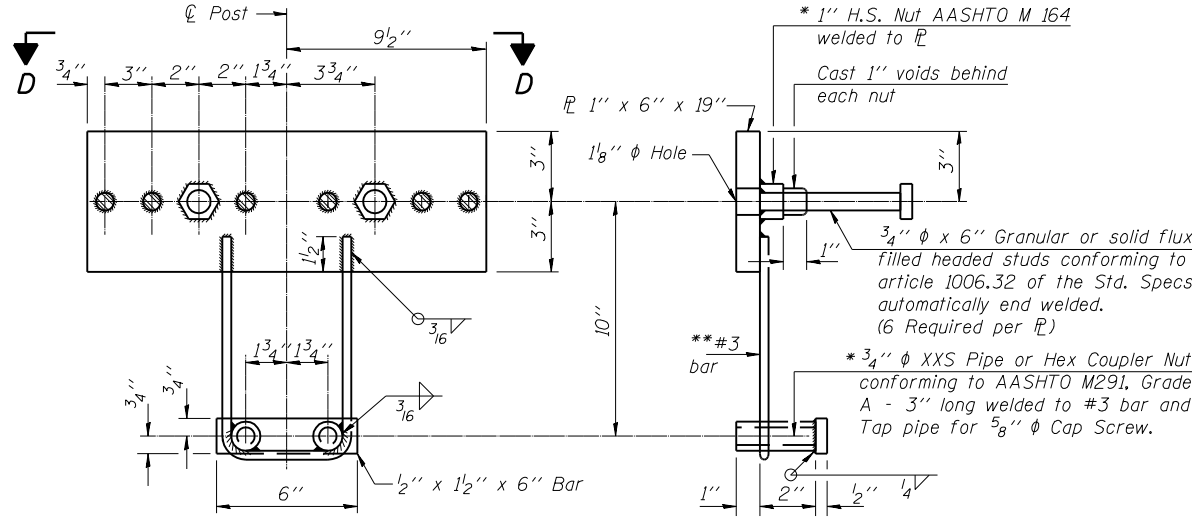
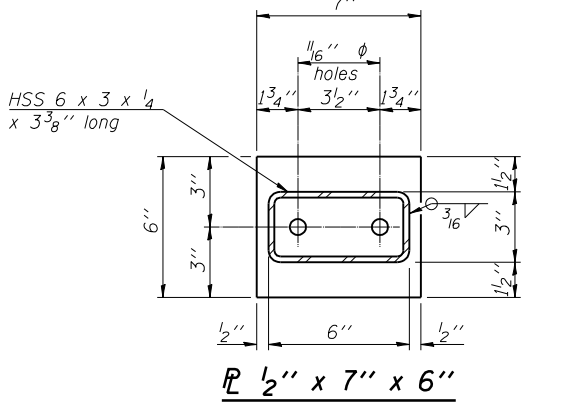
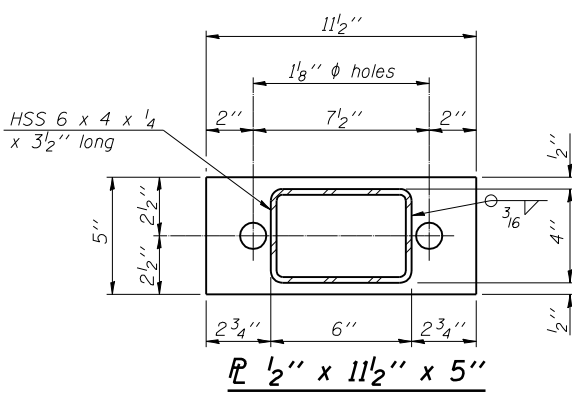
SECTION B-B



SECTION AT RAIL POST



SECTION C-C



ANCHOR DEVICE

* Threaded areas shall be plugged or blocked off during casting of beam. Galvanized after fabrication.

** Whenever the lower insert assemblies interfere with strand locations, the #3 bars shall be cut and adjusted in order to allow raising or lowering of the lower inserts. Maximum adjustment not to exceed 1/2".

BILL OF MATERIAL

Item	Unit	Quantity
Steel Railing, Type SM	Foot	206

STEEL RAILING, TYPE SM WITH CONCRETE WEARING SURFACE F.A.P. 753 (ILL 104) OVER WOODS CREEK SECTION 128BR-1 MORGAN COUNTY STATION 726+50.29 STR. NO. 069-0022

HUTCHISON ENGINEERING, INC. JACKSONVILLE, ILLINOIS
 Rev: _____ Date: _____

DESIGNED	BAN
CHECKED	JOH
DRAWN	TC
CHECKED	BAN