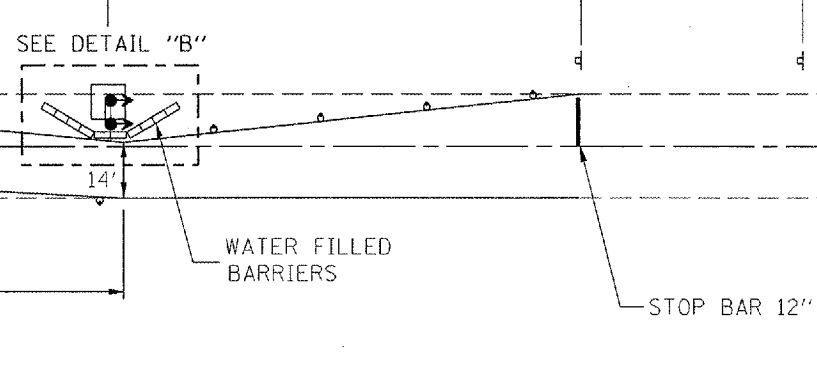
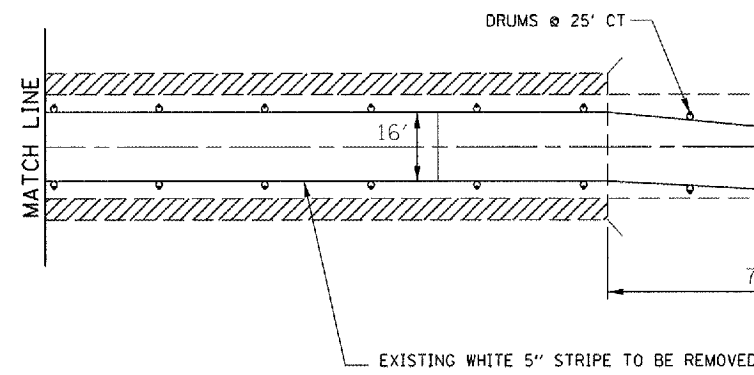
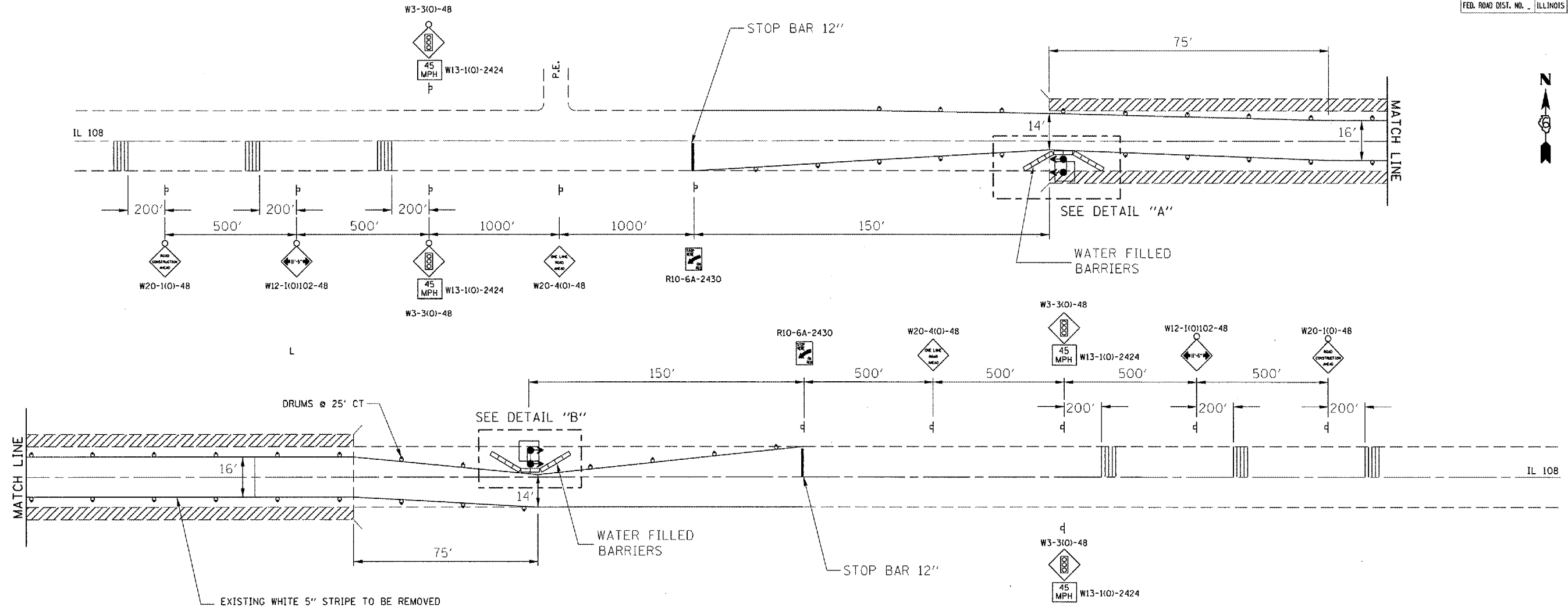


F.A.P. RTE.	SECTION	COUNTY	TOTAL SHEETS	SHEET NO.
761	107BR-6	MACOUPIN	9	4
STA. _____		TO STA. _____		
FED. ROAD DIST. NO. _____		ILLINOIS FED. AID PROJECT		



**SYMBOLS**

- WORK AREA
- SIGN
- DRUM WITH STEADY BURNING LIGHT
- TRAFFIC SIGNAL
- TEMPORARY RUMBLE STRIP

- GENERAL NOTES**
- EXISTING OR TEMPORARY PAVEMENT MARKING SHALL BE ON BOTH SIDES OF THE OPEN LANE FROM STOP BAR TO STOP BAR.
  - LOCATIONS OF PORTABLE SIGNALS TO BE DETERMINED IN THE FIELD.

REVISIONS	
NAME	DATE

ILLINOIS DEPARTMENT OF TRANSPORTATION  
 EXISTING  
 TRAFFIC CONTROL STANDARD 701316 SPECIAL  
 IL ROUTE 108 OVER HODGES CREEK  
 SECTION 107BR-6  
 MACOUPIN COUNTY

SCALE: VERT. \_\_\_\_\_  
 HORIZ. \_\_\_\_\_

DATE \_\_\_\_\_ DRAWN BY \_\_\_\_\_  
 CHECKED BY \_\_\_\_\_

PLOT DATE = 7/15/2007  
 FILE = c:\projects\107br6\107br6.ctb  
 PLOT SCALE = 1"=40'  
 USER NAME = bharneya