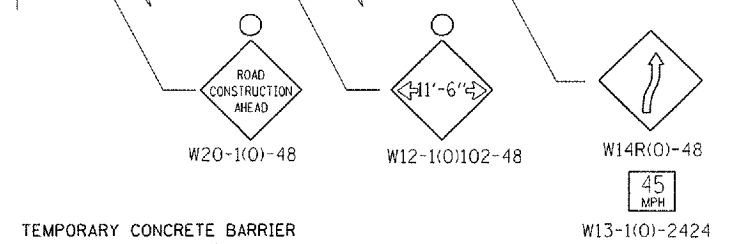
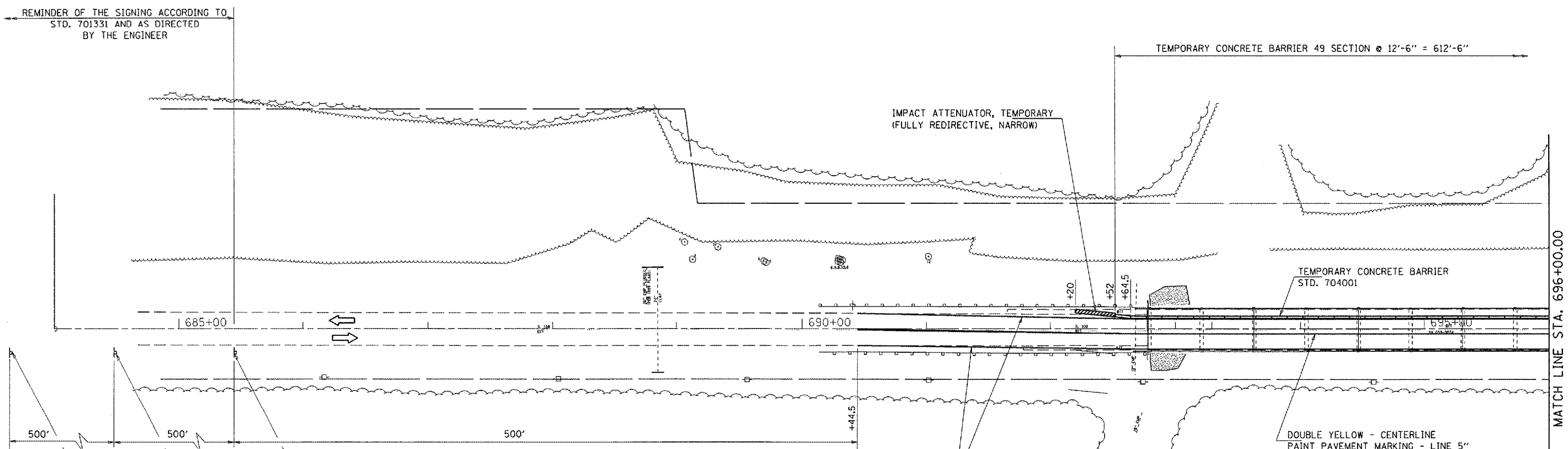


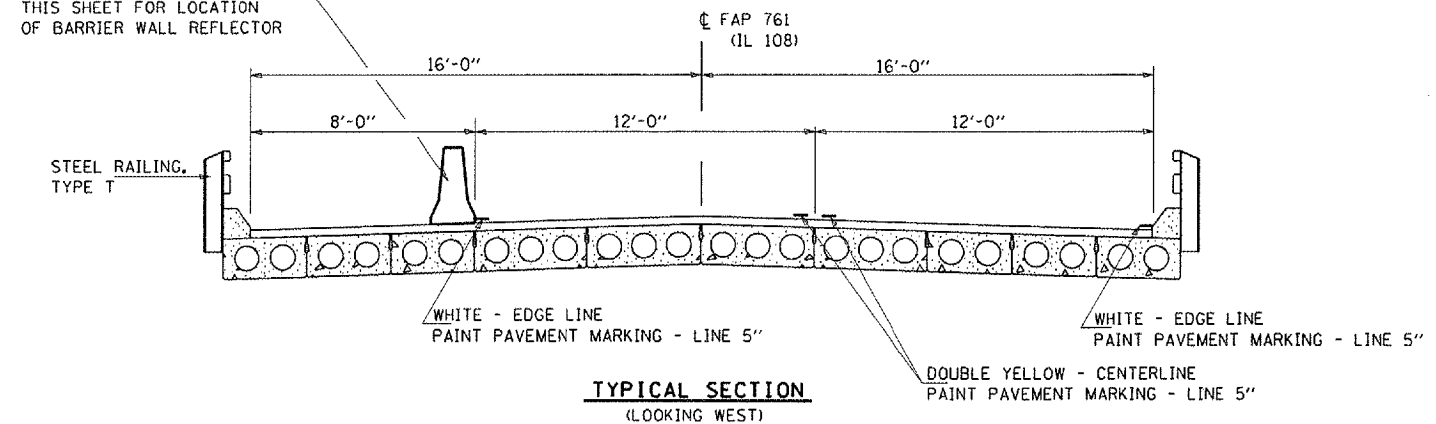
F.A.P. RTE.	SECTION	COUNTY	TOTAL SHEETS	SHEET NO.
761	107BR-6	MACOUPIN	9	6
STA. _____ TO STA. _____		FED. ROAD DIST. NO. _____ ILLINOIS FED. AID PROJECT		

SYMBOLS

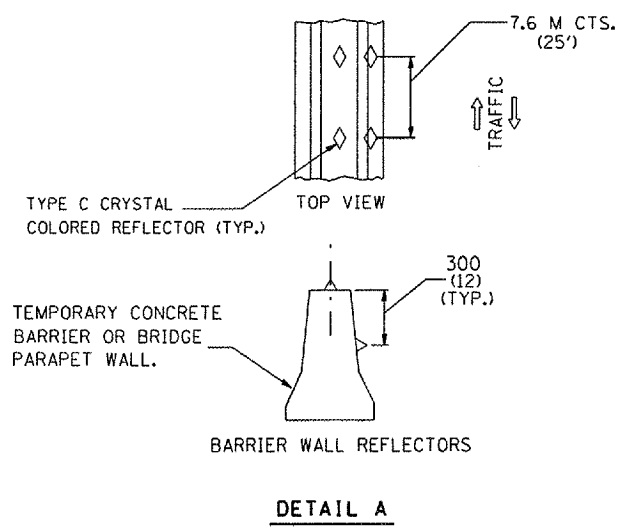
- ⊥ SIGN ON PORTABLE OR PERMANENT SUPPORT
- ⊙ DRUM WITH STEADY BURNING LIGHT
- ▬ TEMPORARY CONCRETE BARRIER WALL
- ▨ IMPACT ATTENUATOR, NARROW



TEMPORARY CONCRETE BARRIER STD. 704001, SEE DETAIL A THIS SHEET FOR LOCATION OF BARRIER WALL REFLECTOR



TYPICAL SECTION
(LOOKING WEST)



DETAIL A

NOTES:

1. PRIOR TO PLACING THE PROPOSED TRAFFIC CONTROL THE BRIDGE REPAIRS AS DETAILED IN THESE PLANS SHALL BE COMPLETED.
2. ALL TRAFFIC CONTROL DEVICES PLACED UNDER THIS CONTRACT SHALL BE LEFT IN PLACE AT COMPLETION OF THIS PROJECT AND SHALL BECOME PROPERTY OF THE STATE OF ILLINOIS. ALL TRAFFIC CONTROL DEVICES SHALL BE NEW WHEN INSTALLED AND SHALL BE IN GOOD CONDITION AT THE COMPLETION OF THE PROJECT. ANY DEVICES THAT ARE DAMAGED DURING THE PROJECT OR IN LESS THAN GOOD CONDITION SHALL BE REPLACED AT THE CONTRACTOR'S EXPENSE.

REVISIONS	
NAME	DATE

ILLINOIS DEPARTMENT OF TRANSPORTATION
PROPOSED TRAFFIC CONTROL
IL ROUTE 108 OVER HODGES CREEK
SECTION 107BR-6
MACOUPIN COUNTY

SCALE: VERT. _____
 HORIZ. _____

DRAWN BY _____
 CHECKED BY _____

PLOT DATE = 7/15/2007
 FILE NAME = c:\pco\mca\jds2287\shwtagg\1108.dgn
 PLOT SCALE = 84.742' / IN.
 USER NAME = gmmardj