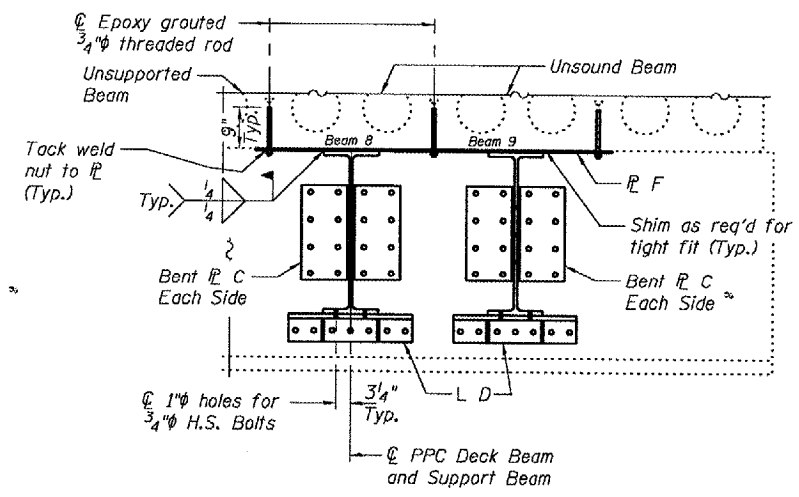
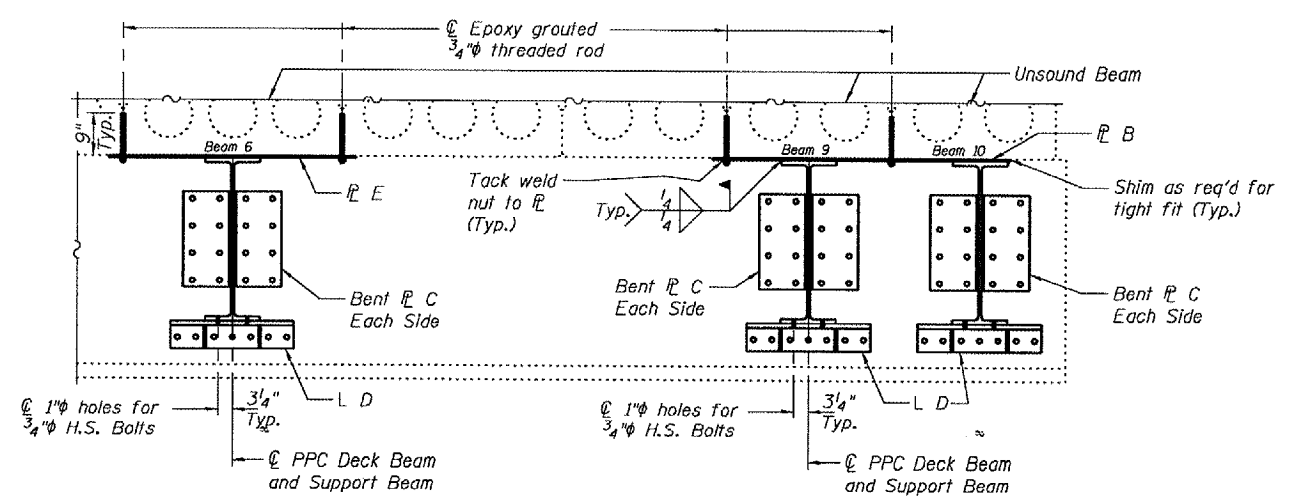
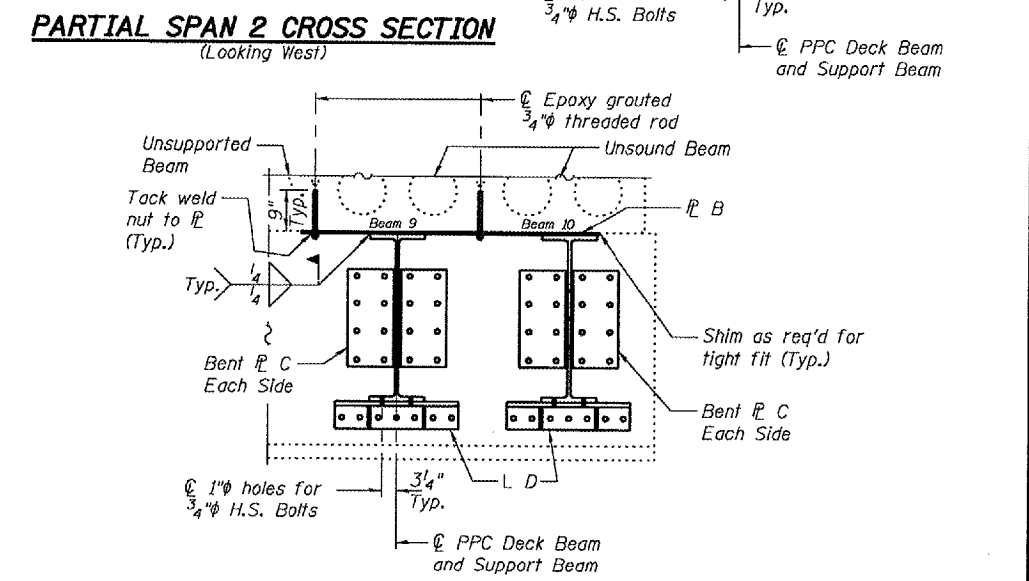
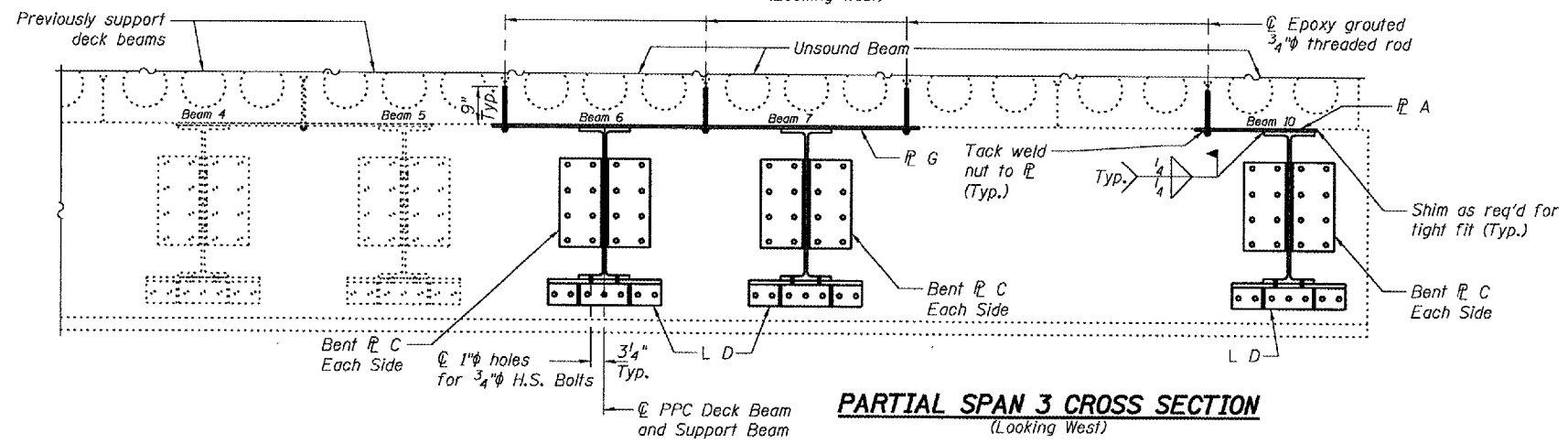
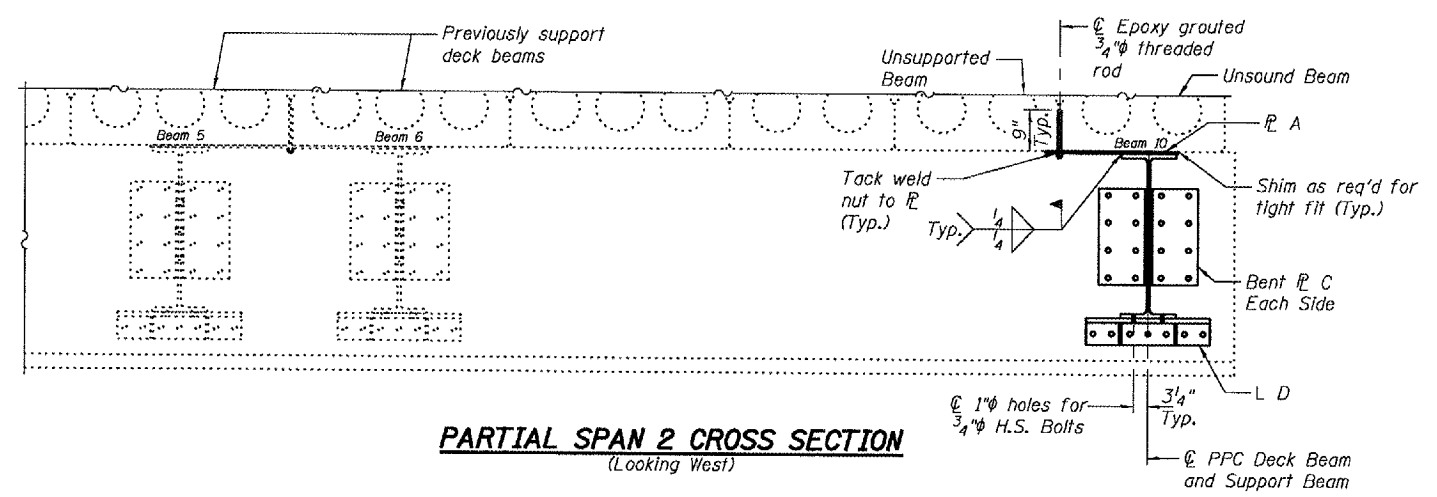
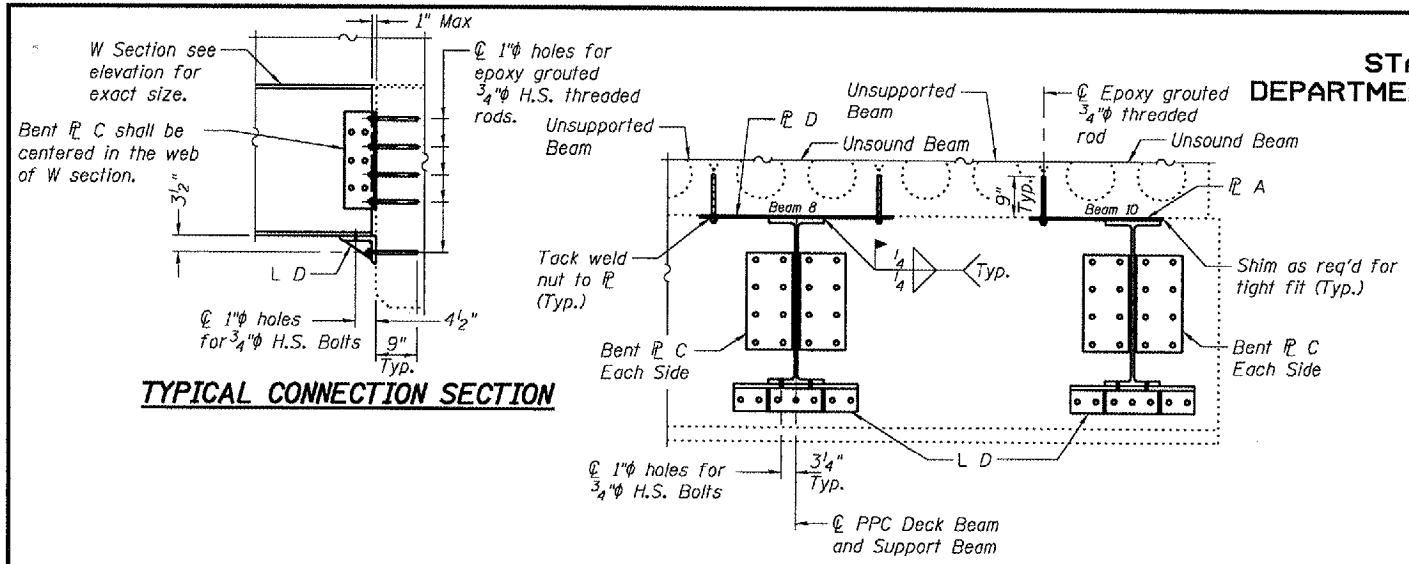


STATE OF ILLINOIS
DEPARTMENT OF TRANSPORTATION

ROUTE NO.	SECTION	COUNTY	TOTAL SHEETS	SHEET NO.
		Macoupin	99	9
SHEET NO. 2				
3 SHEETS				

Contract Number: 72B41



DESIGNED	D.A.B.	EXAMINED	August 14, 2007
CHECKED	V.H.V.	PASSED	<i>Ralph E. Anderson</i> REPAIR PLANS UNIT CHIEF ENGINEER OF BRIDGES AND STRUCTURES
DRAWN	Drew Christopher		
CHECKED	D.A.B. V.H.V.		

DECK CROSS SECTIONS
F.A.P. RT. 761 (IL 108)
MACOUPIN COUNTY
SN 059-0034