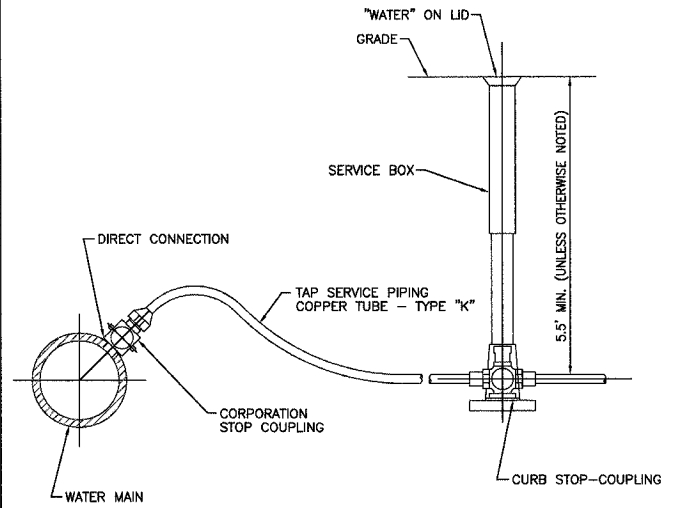


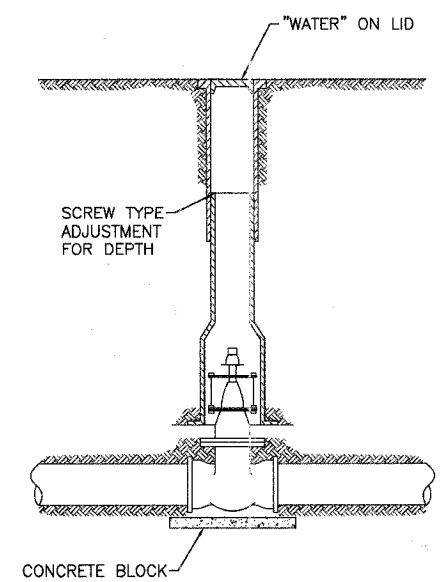
NOTE: WHERE SERVICE LINE IS BELOW FORCE MAIN, CONNECTION IS MADE ABOVE NORMAL FLOW OF MAIN SEWER.

NOTE: RISERS TO BE CONSTRUCTED IN LIEU OF WYES WHERE SEWER DEPTH EXCEEDS 12'-0". FOR PIPE MATERIAL AND CONCRETE SEE SPECIFICATIONS.

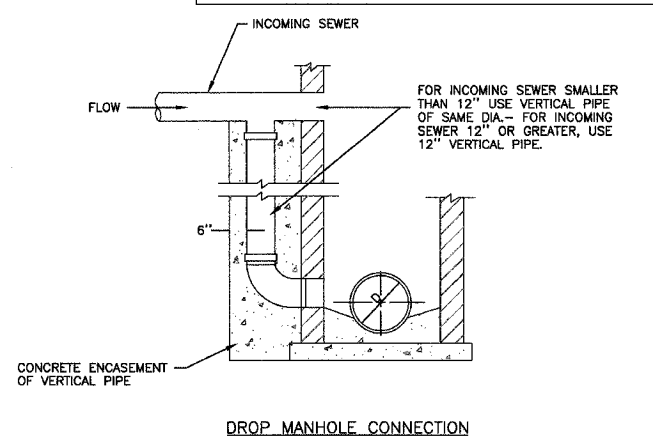
TYPICAL RISER FOR SERVICE LATERAL



TYPICAL TAP SERVICE PIPING (COPPER)



TYPICAL VALVE BOX INSTALLATION

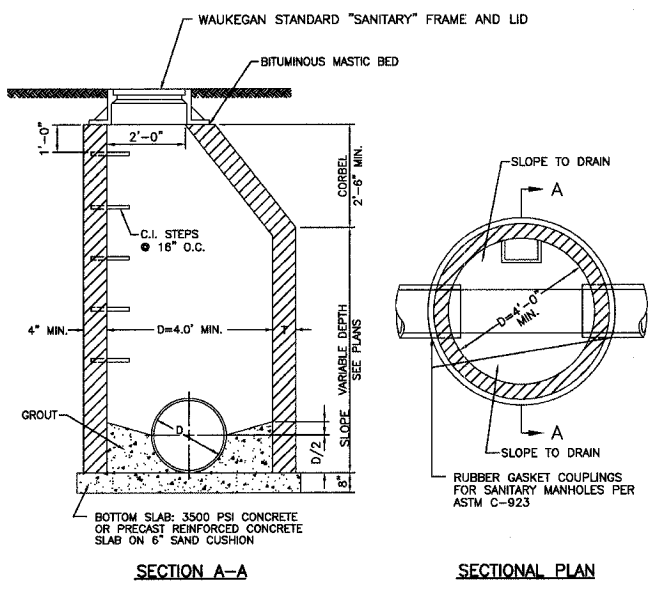


NOTE: PAYMENT FOR DROP MANHOLE CONNECTION TO BE MADE AT CONTRACT UNIT PRICE PER EACH "DROP MANHOLE CONNECTION."

NOTE: TO BE USED IN CONJUNCTION WITH TYPE "A" MANHOLES WHERE SEWER ENTERS 2'-0" OR MORE ABOVE LOWEST INVERT. NOT TO BE USED FOR INLET OR CATCH BASIN CONNECTION.

NOTE: THIS DETAIL APPLIES TO INCOMING SEWERS OF 18" DIAMETER OR LESS.

DROP MANHOLE CONNECTION DETAIL

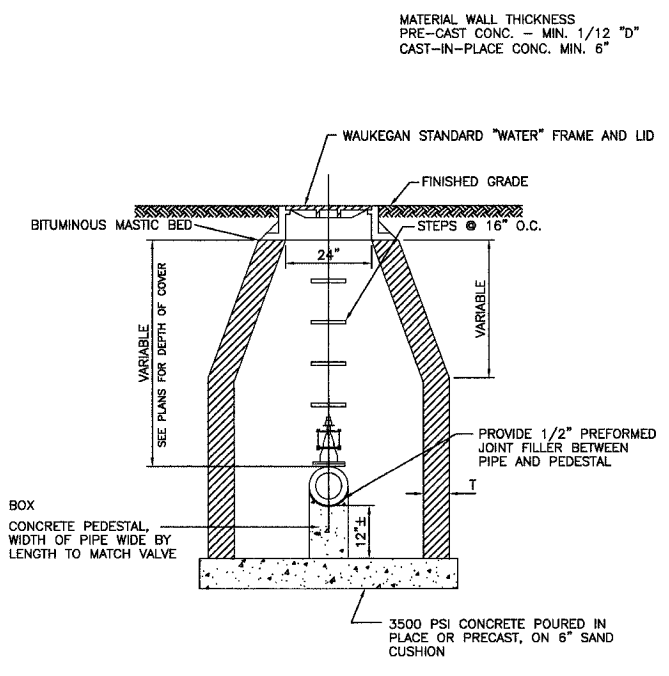


NOTE: STEPS REQUIRED, UNLESS DELETED BY SPECIAL PROVISIONS.

NOTE: SEPARATE SANITARY SEWER MANHOLES SUBJECT TO SATURATED SOIL CONDITIONS OR SURFACE SUBMERGENCE SHALL BE EQUIPPED WITH CHIMNEY SEALS AND WATER TIGHT MANHOLE COVERS.

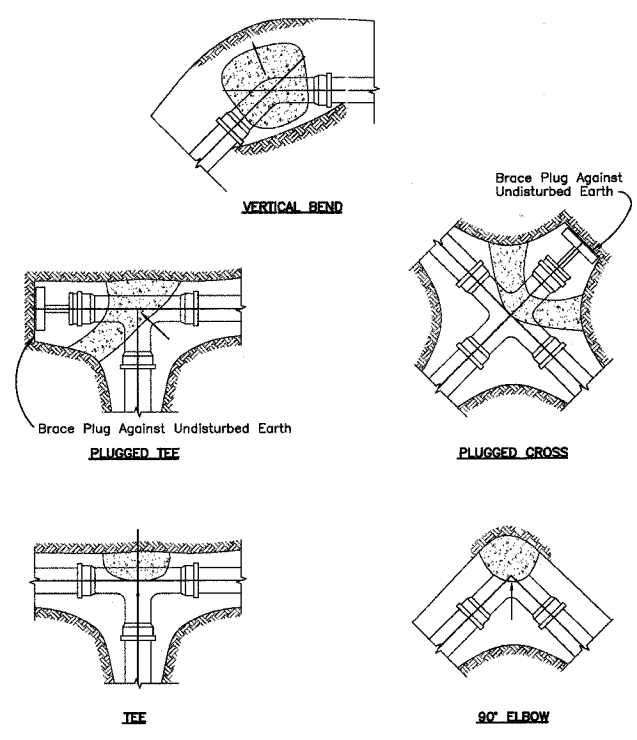
NOTE: 8" MAXIMUM OF ADJUSTING RINGS

TYPICAL SANITARY MANHOLE TYPE A



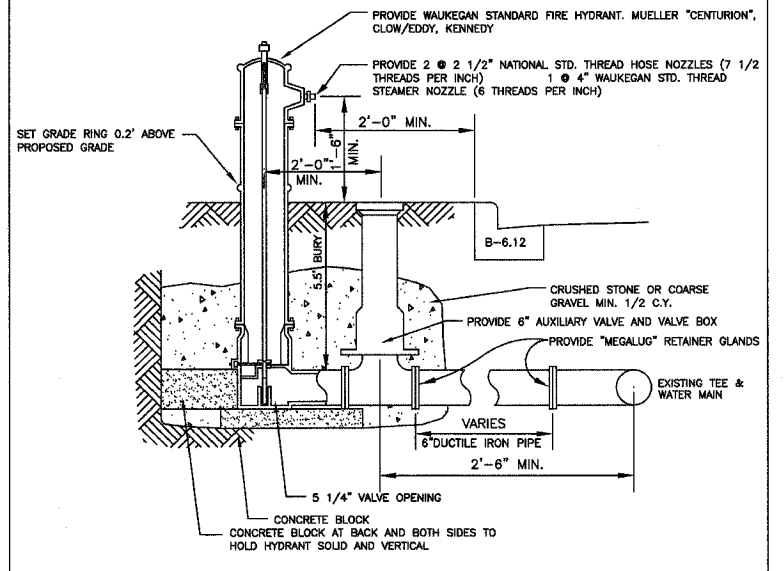
NOTE: VALVE VAULT DIA. SHALL BE 48" FOR 8" AND SMALLER VALVES AND 60" FOR 10" AND LARGER VALVES.

TYPICAL VALVE VAULT DETAIL



NOTES:
 1. ALL BLOCKS BEAR AGAINST UNDISTURBED EARTH.
 2. ARROWS INDICATE DIRECTION OF THRUST.
 3. ALL BLOCKS TO BE 3000 P.S.I. CONCRETE.
 4. ALL FITTINGS SHOWN IN PLAN EXCEPT VERTICAL BEND.

TYPICAL THRUST BLOCK INSTALLATIONS



FIRE HYDRANT DETAIL

REVISIONS		
NO.	ITEM	DATE

SCALE:	N.T.S.
DRAWN BY:	MRT
CHECKED BY:	DBD
DATE:	1-16-06

McCLURE ENGINEERING ASSOCIATES, INC.
 2728 Grand Avenue
 Waukegan, Illinois 60085
 TEL 847-336-7103 FAX 847-336-7155
 Design Firm License: Illinois #184-000816
 Copyright 2005 by McClure Engineering Associates, Inc.

WATER & SEWER CONSTRUCTION DETAILS
SHERIDAN ROAD IMPROVEMENTS
 CITY OF WAUKEGAN JOB NUMBER: 02-28-04-164 LAKE COUNTY, ILLINOIS
 W:\dwg\Wk\SHERIDAN-RD\Sher-CvrNoteDet.dwg 3/10/2006 10:52:48 AM CST