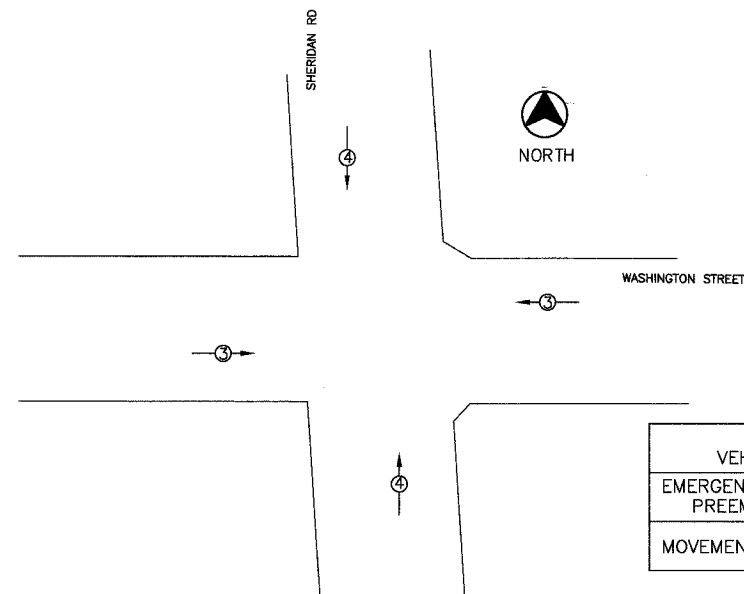


### TEMPORARY CABLE PLAN LEGEND

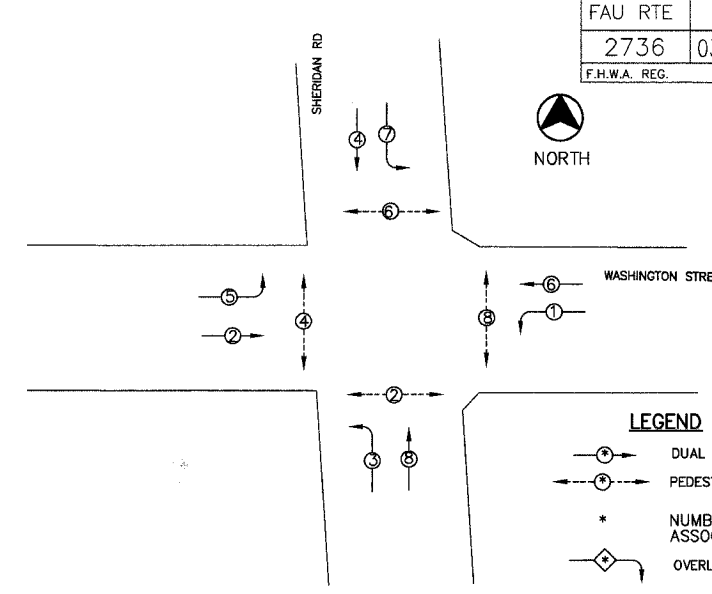
- R 12" (300MM) TRAFFIC SIGNAL SECTION
- P 12" (300MM) PEDESTRIAN SIGNAL HEAD
- C TEMPORARY CONTROLLER CABINET
- SERVICE INSTALLATION
- MAGNETIC DETECTOR
- ▶ EMERGENCY VEHICLE LIGHT DETECTOR
- ◀ CONFIRMATION BEACON
- PUSHBUTTON DETECTOR
- ② DENOTES NUMBER OF CONDUCTORS. ALL CABLE NO. 14 EXCEPT AS INDICATED. ALL LOOP DETECTOR CABLE TO BE SHIELDED.
- R SIGNAL FACE WITH BACKPLATE. "P" INDICATES PROGRAMMED HEAD.
- PROPOSED VIDEO DETECTION CAMERA



### EMERGENCY VEHICLE PREEMPTION SEQUENCE

NO SCALE

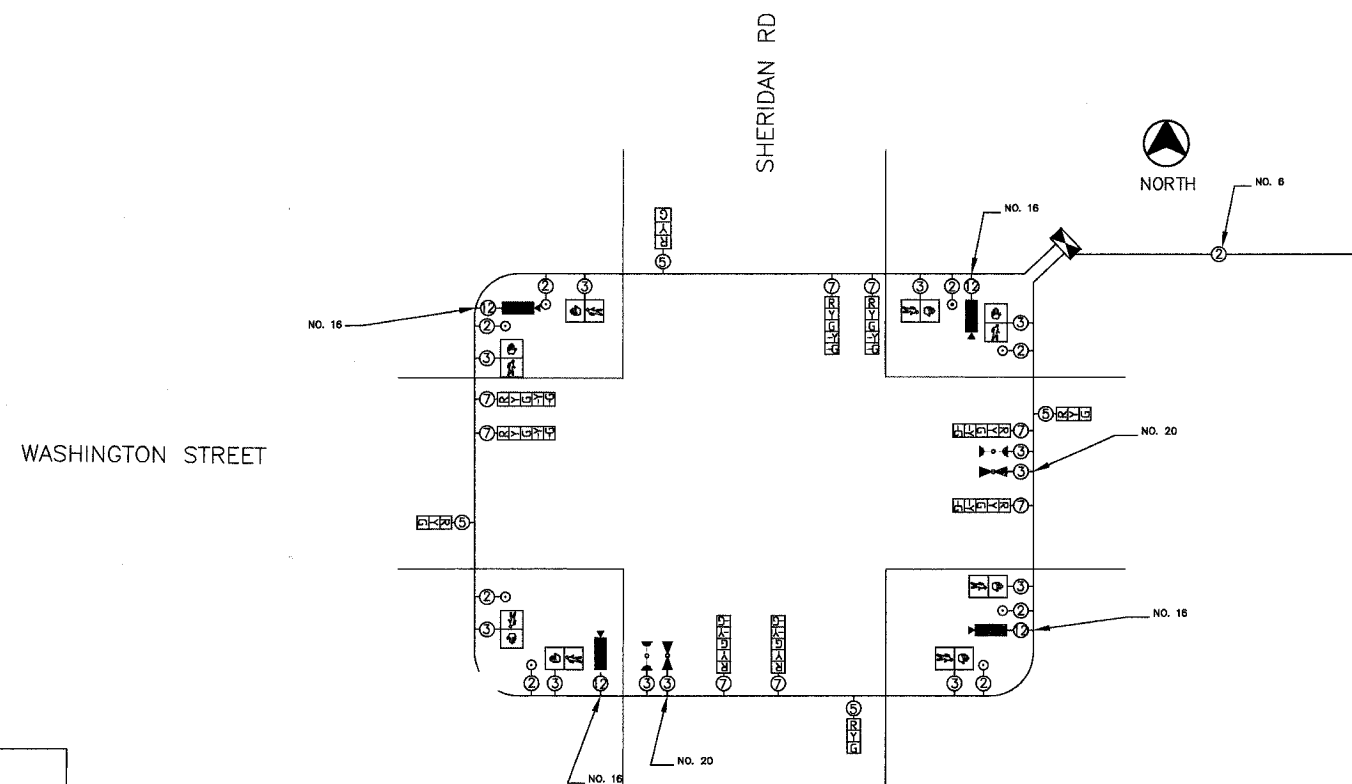
VEHICLE PREEMPTORS		
EMERGENCY VEHICLE PREEMPTOR	3	4
MOVEMENT	→	↑



### TEMPORARY PHASE DESIGNATION DIAGRAM

NO SCALE

- #### LEGEND
- ① DUAL ENTRY PHASE
  - ② PEDESTRIAN PHASE
  - \* NUMBER REFERS TO ASSOCIATED PHASE
  - ◇ OVERLAP



### TEMPORARY CABLE PLAN

STAGES 1 & 2  
NO SCALE

NOTE:  
THE TRAFFIC SIGNAL EQUIPMENT FOR THIS PROJECT SHALL BE "ECONOLITE."

I.D.O.T. TRAFFIC SIGNAL INSTALLATION ELECTRICAL SERVICE REQUIREMENTS					TOTAL WATTAGE
TYPE	NO. LAMPS	WATTAGE INCAND.	LED	% OPERATION	
SIGNAL					
RED	12	135	10	0.50	810
YELLOW	12	135	19	0.25	405
GREEN	12	135	11	0.25	405
ARROW	24	135	9	0.10	324
PED SIGNAL	8	90	9	1.00	720
CONTROLLER	1	100	100	1.00	100
LUMINAIRE	0	84		0.50	
ENERGY COSTS TO: ILLINOIS DEPARTMENT OF TRANSPORTATION 201 WEST CENTER COURT, SCHANZBERG, ILLINOIS 60196-0088					2764
ENERGY SUPPLY CONTACT: TERRY BLECK, PHONE: (847) 816-5239, COMPANY: COM. ED.					

FOUNDATION (DEPTH)	(FT.)	CABLE SLACK	(FT.)	VERTICAL	(FT.)	
TYPE A - POST	4	HANDHOLE	6.5	ALL FOUNDATIONS	3.5	
TYPE D - CONTROLLER	4	DOUBLE HANDHOLE	13	MAST ARM (L) POLE	20'-L-2-	
TYPE E - MAST ARM POLE		SIGNAL POST	2	BRACKET MOUNTED	13	
	24"	10	CONTROLLER CABINET	1	PED. PUSHBUTTON	4
	30"	15	FIBER OPTIC	13	ELECTRIC SERVICE	13.5
	36"	15	ELECTRIC SERVICE	1	SERVICE TO GROUND	13.5
			GROUND CABLE	1	POST MOUNTED	6
					MAST ARM, LUMINAIRE/CAMERA	40
					MAST ARM, PTZ CAMERA	38.5
					POST LUMINAIRE	30

REVISIONS		
NO.	ITEM	DATE

SCALE:	1" = 20'
DRAWN BY:	NMB
CHECKED BY:	CRF
DATE:	3-3-06

**McCLURE ENGINEERING ASSOCIATES, INC.**  
 2728 Grand Ave. Waukegan, IL 60085 Design Firm License: Illinois #184-000816  
 TEL 847-336-7100 FAX 847-336-7155 Copyright 2005 by  
 EMAIL wk@mcclureengineering.com McClure Engineering Associates, Inc.

**TEMPORARY CABLE PLAN/PHASE DIAGRAM SHERIDAN ROAD AT WASHINGTON STREET**  
 SHERIDAN ROAD IMPROVEMENTS  
 CITY OF WAUKEGAN JOB NUMBER: 02-28-04-164 LAKE COUNTY, ILLINOIS  
 W:\dwg\WK\SHERIDAN-RD\Sher-TrafficSignals.dwg 8/26/2005 3:07:04 PM CDT