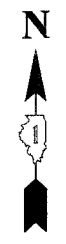
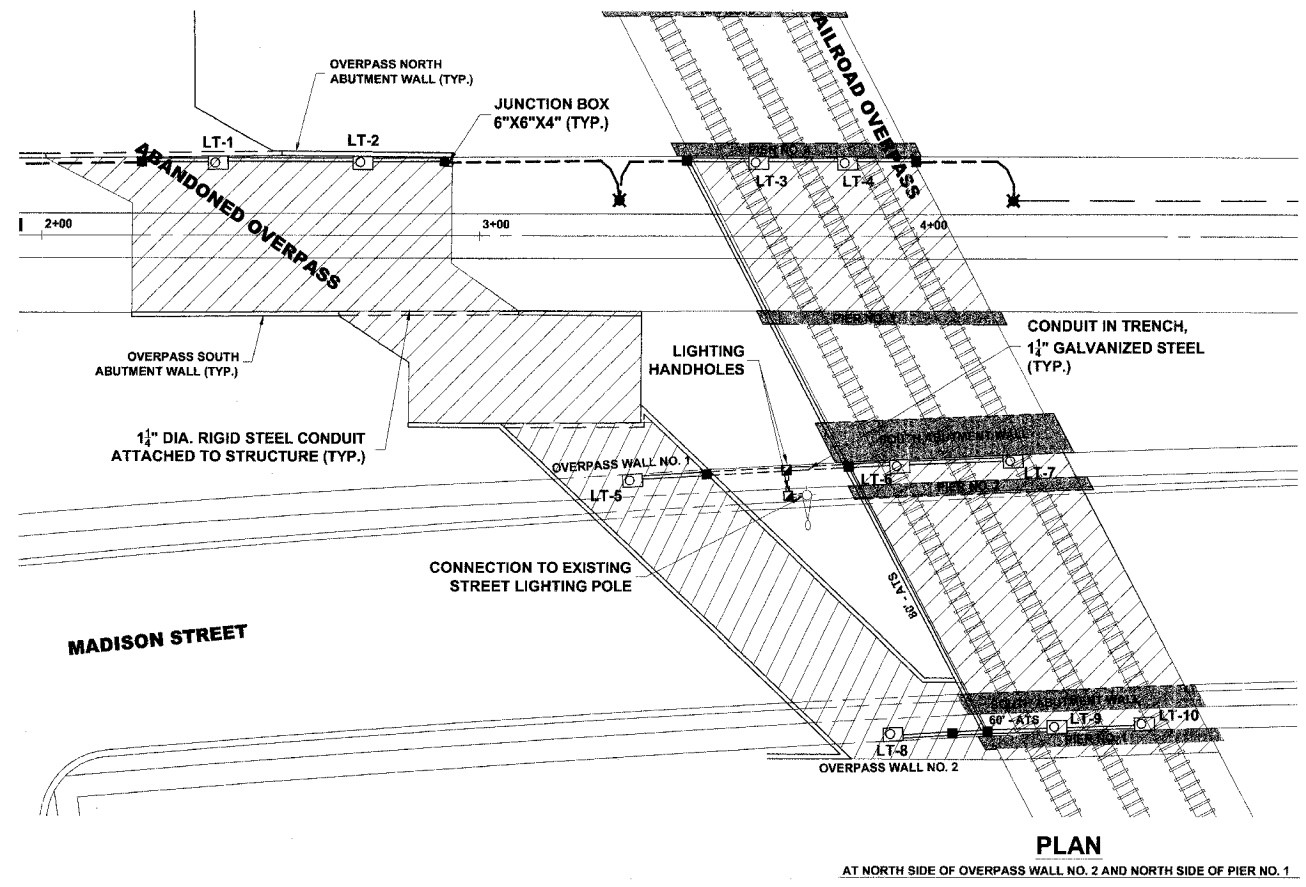
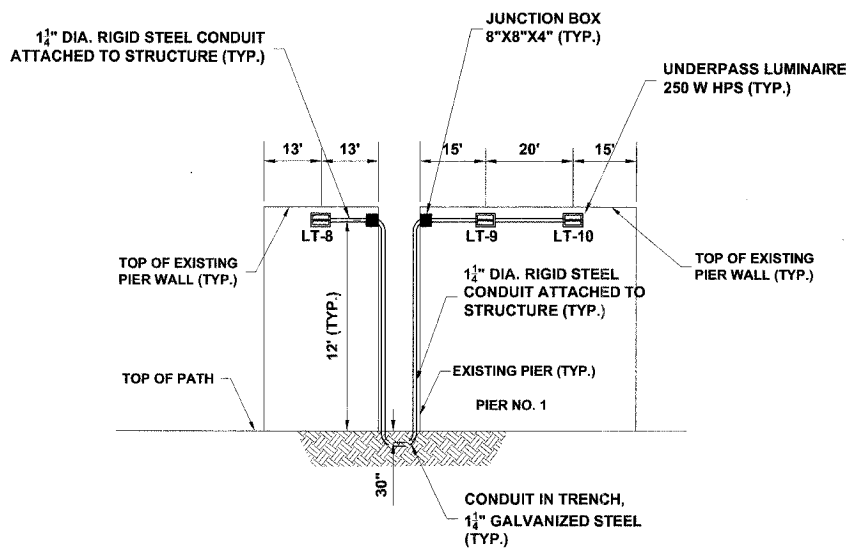


ROUTE NO.	SECTION	COUNTY	TOTAL SHEETS	SHEET NO.
		COOK	15	8
ILLINOIS PROJECT				
VILLAGE SECTION 06-00133-00-BT				
CONTRACT NO. 83933				



**PLAN**  
AT NORTH SIDE OF OVERPASS WALL NO. 2 AND NORTH SIDE OF PIER NO. 1



**UNDERPASS LIGHTING DETAILS**  
AT NORTH SIDE OF OVERPASS WALL NO. 2 AND NORTH SIDE OF PIER NO. 1

Drawing file: W:\Projects\06003085 - Prairie Path Impr\Site Plan.dwg May 22, 2007 - 2:31pm



♦ Civil Engineers  
 ♦ Municipal Consultants  
 ♦ Established 1911  
 9933 Roosevelt Road  
 Westchester, Illinois 60154-2780  
 Phone: 708/865-0300  
 Fax: 708/865-1212

**ILLINOIS PRAIRIE PATH IMPROVEMENTS**  
**VILLAGE OF BELLWOOD, ILLINOIS**

**OVERPASS LIGHTING PLAN AND LIGHTING DETAILS**

SCALE: 1"=20'H. & 1"=4'V  
 DRAWN BY: MK  
 BOOK NO.: AERIAL  
 DATE: 2/09/07  
 AS PER IDOT REVIEW 5/22/07  
 REVISION:

E.H.E. NO.: 080-03-08580

SHEET  
**8**  
 OF  
**15**