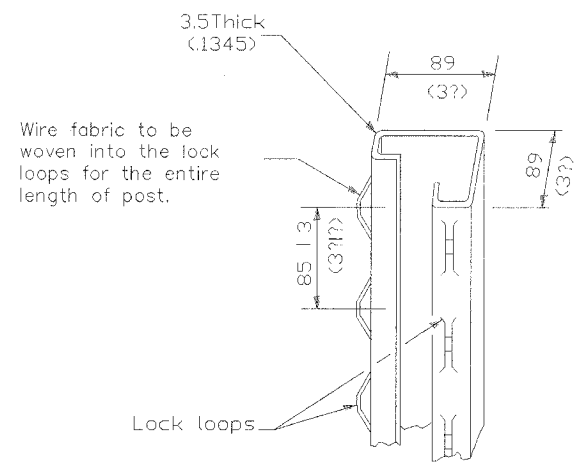
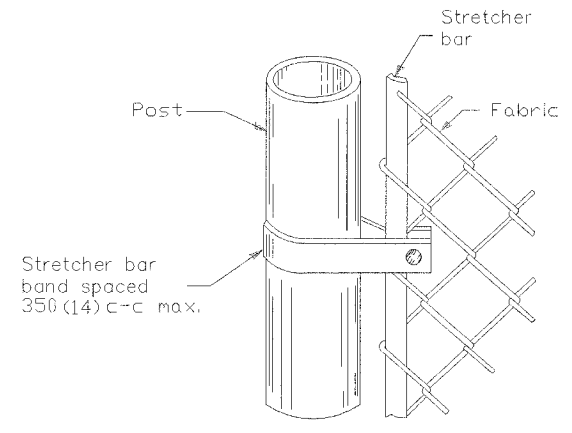


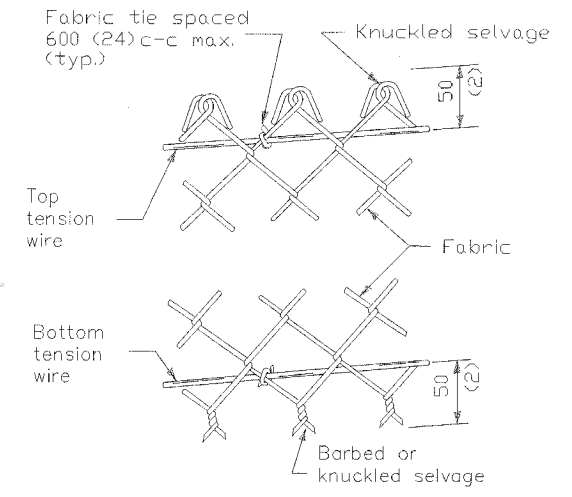
ROLL FORMED SECTION OF BRACE



ROLL FORMED SECTION OF TERMINAL & GATE POST



METHOD OF FASTENING STRETCHER BAR TO POST



METHOD OF TYING FABRIC TO TENSION WIRES

LINE POST		kg/m (lbs./ft.)
Pipe Type A	48.3 O.D. (1.90)	4.05 (2.72)
Pipe Type B	48.3 O.D. (1.90)	3.39 (2.28)
Pipe Type C	48.3 O.D. (1.90)	3.36 (2.26)
H	47.6x41.3 (1.875x1.625)	4.05 (2.72)
	□	2.38 (1.60)
	I	3.42 (2.30)

TERMINAL POST		kg/m (lbs./ft.)
Pipe Type A	60.3 O.D. (2.375)	5.43 (3.65)
Pipe Type B	60.3 O.D. (2.375)	4.63 (3.11)
Pipe Type C	60.3 O.D. (2.375)	4.60 (3.09)
Roll Formed	89.0x89.0 (3?x3?)	See detail
Sq. Tubing	63.5x63.5 (2?x2?)	6.43 (4.32)

HORIZONTAL BRACES		kg/m (lbs./ft.)
Pipe Type A	42.2 O.D. (1.66)	3.38 (2.27)
Pipe Type B	42.2 O.D. (1.66)	2.72 (1.83)
Pipe Type C	42.2 O.D. (1.66)	2.71 (1.82)
H	33.3x38.1 (1.31x1.5)	3.35 (2.25)
Roll Formed	41.3x31.8 (1?x1?)	See detail

GATE FRAMES		kg/m (lbs./ft.)
Pipe Type A	42.2 O.D. (1.66)	3.38 (2.27)
Pipe Type B	42.2 O.D. (1.66)	2.72 (1.83)
Pipe Type C	42.2 O.D. (1.66)	2.71 (1.82)

GATE POSTS *							
Gate Opening * m (ft.)		Pipe Type A		Sq. Tubing	Pipe Type B		
Single	Double	Size (O.D.)	kg/m (lbs./ft.)	Size	kg/m (lbs./ft.)	Size (O.D.)	kg/m (lbs./ft.)
Up to 1.2 (4)	Up to 2.5 (8)	60.3 (2.375)	5.43 (3.65)	63.5 (4.32)	6.43 (4.32)	60.3 (2.375)	4.63 (3.11)
Over 1.2 to 2.5 (4) (8)	Over 2.5 to 5.0 (8) (16)	73.0 (2.875)	8.62 (5.79)	76.2 (3) (5.78)	8.60 (5.78)	73.0 (2.875)	6.91 (4.64)
Over 2.5 to 3.6 (8) (12)	Over 5.0 to 7.4 (16) (24)	89.0 (3.5)	11.28 (7.58)	76.2 (3) (8.80)	13.10 (8.80)	89.0 (3.5)	8.49 (5.707)

* The 89.0 x 89.0 (3? x 3?) roll formed section as detailed may be used as gate posts for single gate up to 1.8 m (6') and double gate up to 3.6 m (12').

Drawing File: W:\Projects\06030306 - Prairie Path Imp\1\01 STAMPED.dwg May 22, 2007 - 3:51pm

<p>HANCOCK ENGINEERING</p> <p>◆ Civil Engineers ◆ Municipal Consultants ◆ Established 1911</p> <p>9933 Roosevelt Road Westchester, Illinois 60154-2780 Phone: 708/865-0300 Fax: 708/865-1211</p>	<p>REVISIONS</p> <table border="1"> <tr> <th>NAME</th> <th>DATE</th> </tr> <tr> <td>M. DE YOUNG</td> <td>06/13/90</td> </tr> <tr> <td>M. DE YOUNG</td> <td>07/03/90</td> </tr> <tr> <td>M. DE YOUNG</td> <td>3/27/92</td> </tr> <tr> <td>R. SHAH</td> <td>09/09/94</td> </tr> <tr> <td>R. SHAH</td> <td>10/25/94</td> </tr> <tr> <td>A. ABBAS</td> <td>03/21/97</td> </tr> <tr> <td>M. GOMEZ</td> <td>04/06/01</td> </tr> </table>		NAME	DATE	M. DE YOUNG	06/13/90	M. DE YOUNG	07/03/90	M. DE YOUNG	3/27/92	R. SHAH	09/09/94	R. SHAH	10/25/94	A. ABBAS	03/21/97	M. GOMEZ	04/06/01	<p>ILLINOIS DEPARTMENT OF TRANSPORTATION</p> <p>CHAIN LINK FENCE</p>
	NAME	DATE																	
	M. DE YOUNG	06/13/90																	
	M. DE YOUNG	07/03/90																	
	M. DE YOUNG	3/27/92																	
R. SHAH	09/09/94																		
R. SHAH	10/25/94																		
A. ABBAS	03/21/97																		
M. GOMEZ	04/06/01																		
SCALE: NONE	DRAWN BY: CADD																		
DATE: 03/25/02	CHECKED BY:																		
E.H.E. PROJECT NO. 080-03-085																			