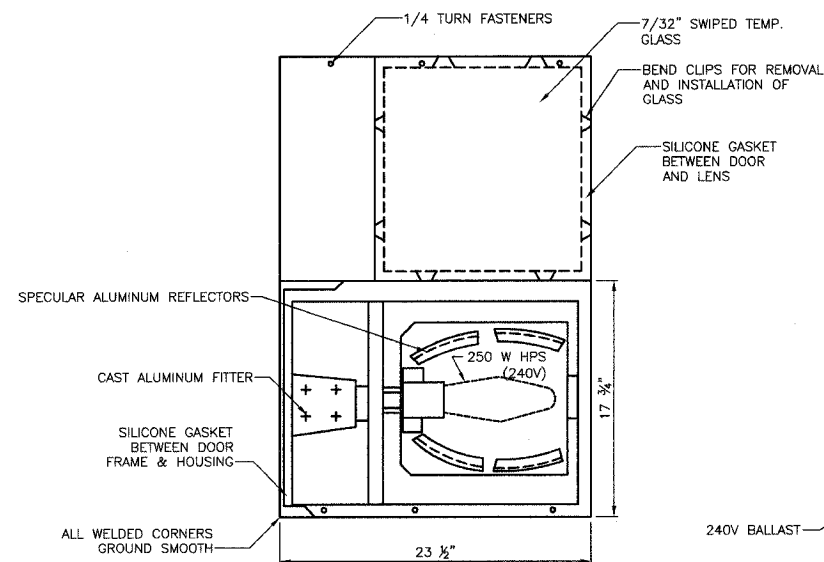
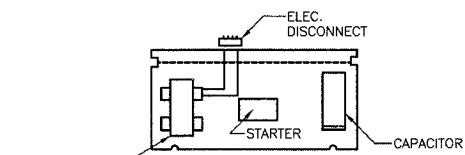


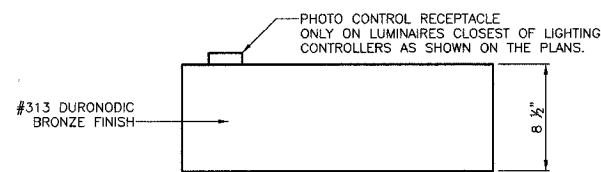
S.A. YR.	SECTION	COUNTY	TOTAL SHEETS	SHEET NO.
	03-00087-00-LT	COOK	20	17
DUNDEE ROAD		LIGHTING DETAILS		
FED. ROAD DISTRICT	ILLINOIS	FED. AID PROJECT		



BOTTOM VIEW OF CABINET SHOWN WITH DOOR OPEN

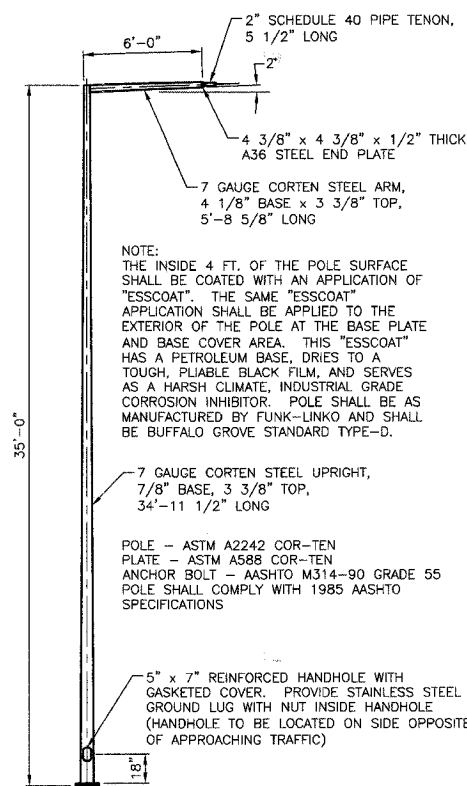


INSIDE VIEW OF REMOVABLE BALLAST COMPARTMENT COVER

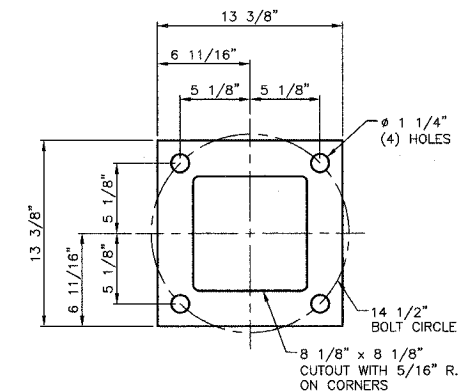
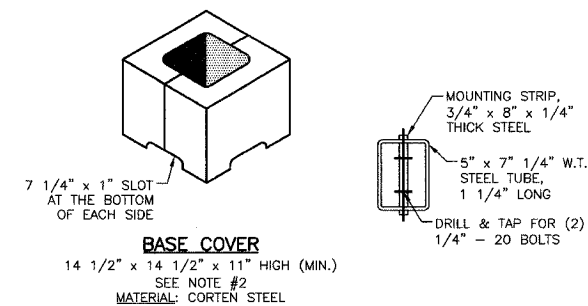


SIDE VIEW OF CABINET

LUMINAIRE, SODIUM VAPOR, RECTILINEAR TYPE, 250 WATT



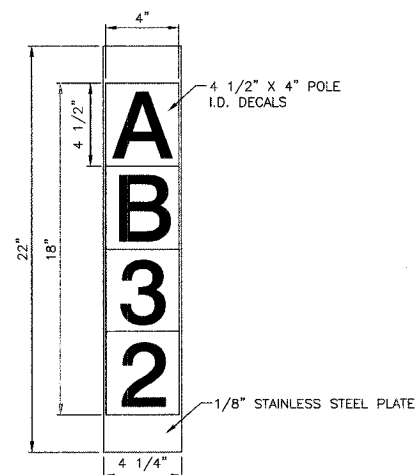
NOTE:
THE INSIDE 4 FT. OF THE POLE SURFACE SHALL BE COATED WITH AN APPLICATION OF "ESSCOAT". THE SAME "ESSCOAT" APPLICATION SHALL BE APPLIED TO THE EXTERIOR OF THE POLE AT THE BASE PLATE AND BASE COVER AREA. THIS "ESSCOAT" HAS A PETROLEUM BASE, DRIES TO A TOUGH, FLEXIBLE BLACK FILM, AND SERVES AS A HARSH CLIMATE, INDUSTRIAL GRADE CORROSION INHIBITOR. POLE SHALL BE AS MANUFACTURED BY FUNK-LINKO AND SHALL BE BUFFALO GROVE STANDARD TYPE-D.



BASEPLATE DETAIL
MATERIAL: 1 1/4" THICK ASTM A588 COR-TEN STEEL PLATE

NOTES:

1. INSTALL 3/4" x 10' GROUND ROD AT EACH LIGHT POLE. RUN 1-1/C, #2/0 GROUND FROM LIGHT POLE GROUND LUG TO GROUND ROD IN 1/2" CONDUIT. USE EXOTHERMIC WELDS (12" MIN. BURY).



BUFFALO GROVE LIGHT POLE IDENTIFICATION DECAL DETAIL

NOTES:

1. NUMBERS SHALL BE BLACK ON YELLOW BACKGROUNDS.
2. DECAL COLOR AND NUMBERS SHALL MEET BUFFALO GROVE AND 3M STANDARDS.
3. NUMBERS SHALL BE PLACED AT A HEIGHT OF 3 FEET (BOTTOM ID PLATE TO TOP OF POLE FOUNDATION)
4. STAINLESS STEEL PLATE SHALL BE Banded TO POLE WITH 2 STAINLESS STEEL BANDS.

REVISIONS	DATE	BY

VILLAGE OF BUFFALO GROVE
DUNDEE ROAD LIGHTING IMPROVEMENT
LIGHTING DETAILS

DESIGNED BY: S.J.C.
CHECKED BY: D.N.M.
DATE: 07/10/2007

NOT TO SCALE