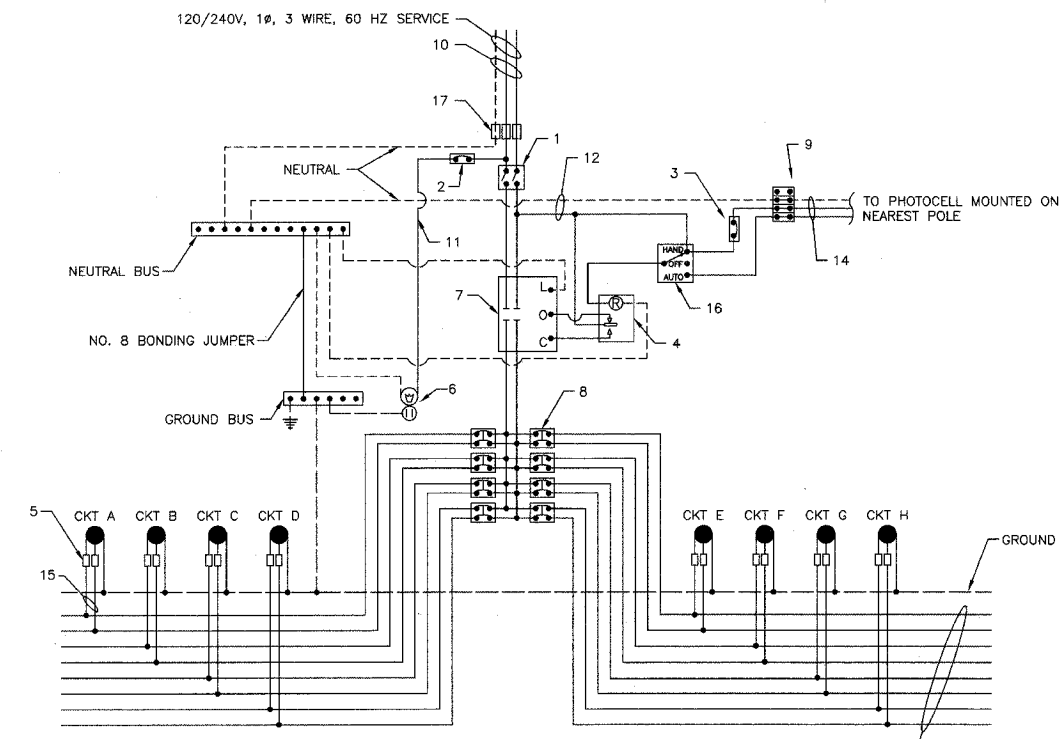
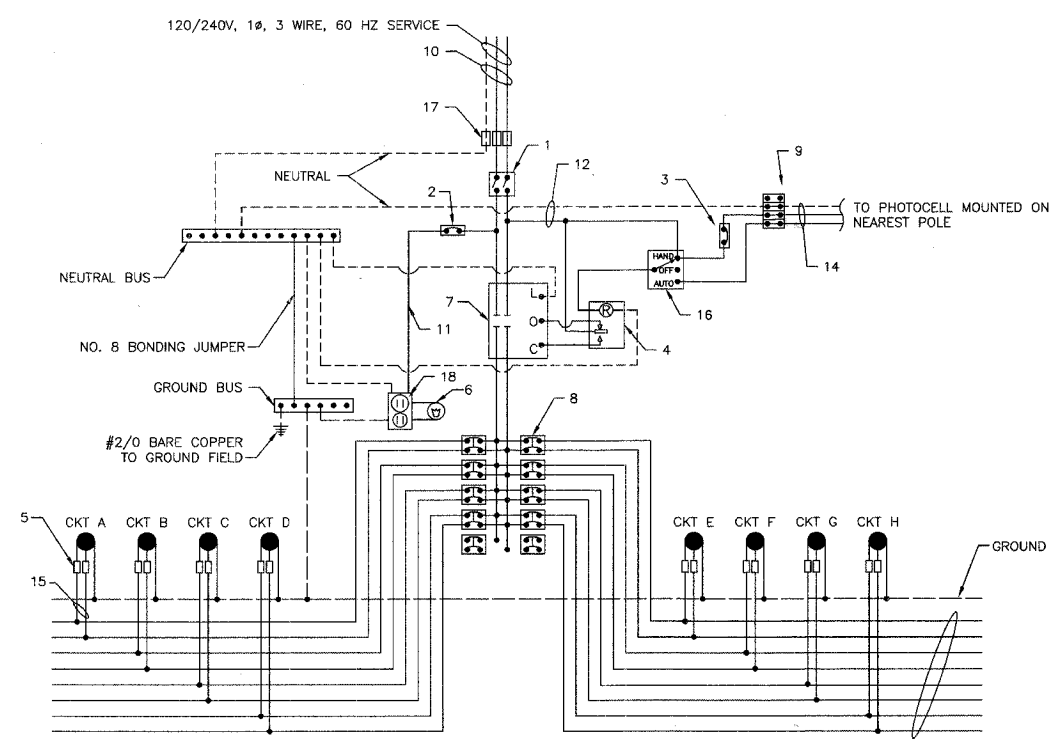


F.A. NO.	SECTION	COUNTY	TOTAL SHEETS	SHEET NO.
03-00087-00-LT	COOK	20	19	
DUNDEE ROAD		LIGHTING DETAILS		
FED. ROAD DISTRICT	BLANKS	FED. AID PROJECT		



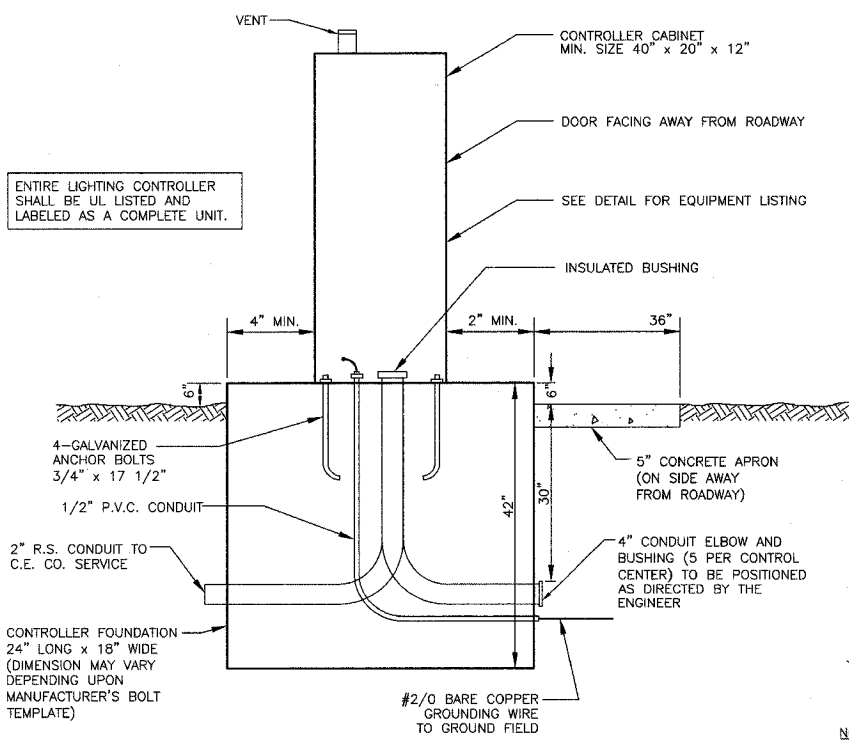
LIGHTING CONTROLLER #BG1 - WIRING DIAGRAM
(EXISTING - SEE CIRCUIT DIAGRAM SHEET NO. 20)



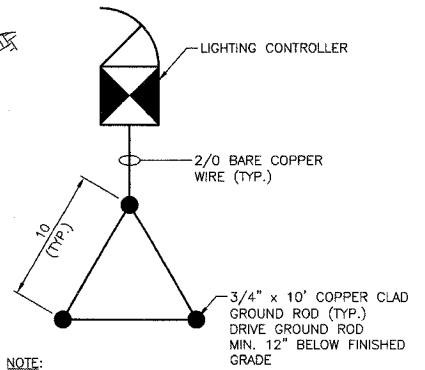
LIGHTING CONTROLLER #BG2 - WIRING DIAGRAM

CONTROL CENTER COMPONENT SCHEDULE	
ITEM	SPECIFICATION OR EQUAL
① MAIN CIRCUIT BREAKER	200 AMPERE, 2 POLE, 240 VOLT RATING, 10,000 AMPERE I.R.
② LAMPHOLDER CIRCUIT BREAKER	20 AMPERE, 1 POLE, 120 VOLT RATING, 10,000 AMPERE I.R.
③ PHOTOELECTRIC CONTROL CIRCUIT BREAKER	20 AMPERE, 1 POLE, 120 VOLT RATING, 10,000 AMPERE I.R.
④ CONTROL RELAY	120 VOLT SPST 60 HZ COIL
⑤ IN-LINE FUSES	5 AMP, TYPE FNQ
⑥ LAMPHOLDER	20 AMP, 120 VOLT SWITCHED PORCELAIN LAMPHOLDER POWERED FROM LOAD TERMINAL OF GFI RECEPTACLE
⑦ LIGHTING CONTACTOR	200 AMPERE, 2 POLE, 240 VOLT RATING, 100,000 AMPERE I.R.
⑧ BRANCH LINE CIRCUIT BREAKERS	CIRCUIT A - H 40 AMPERE, 2 POLE, 240 VOLT RATING, 10,000 AMPERE I.R.
⑨ FOUR POINT TERMINAL BLOCK	600 VOLT
⑩ SERVICE CABLES	3-600V (XLP-TYPE USE) NO. 3/0
⑪ LAMPHOLDER WIRE	2-600V XLP NO. 10
⑫ CONTROL WIRE	2-600V XLP NO. 10
⑬ BRANCH LINE CABLES	SEE PLANS FOR SIZE
⑭ PHOTOELECTRIC CONTROL WIRE	3-600V XLP NO. 10
⑮ LIGHTING POLE WIRE	2-600V XLP NO. 10 CABLES WITH POLE GROUND AND FUSING
⑯ HAND-AUTO-OFF CONTROL SWITCH	20 AMPERE, 3 POLE, 120 VOLT
⑰ LIGHTNING ARRESTOR	10,000 AMP
⑱ GFI RECEPTACLE	NEMA 5-20 GFI RECEPTACLE COMMERCIAL SPECIFICATION GRADE

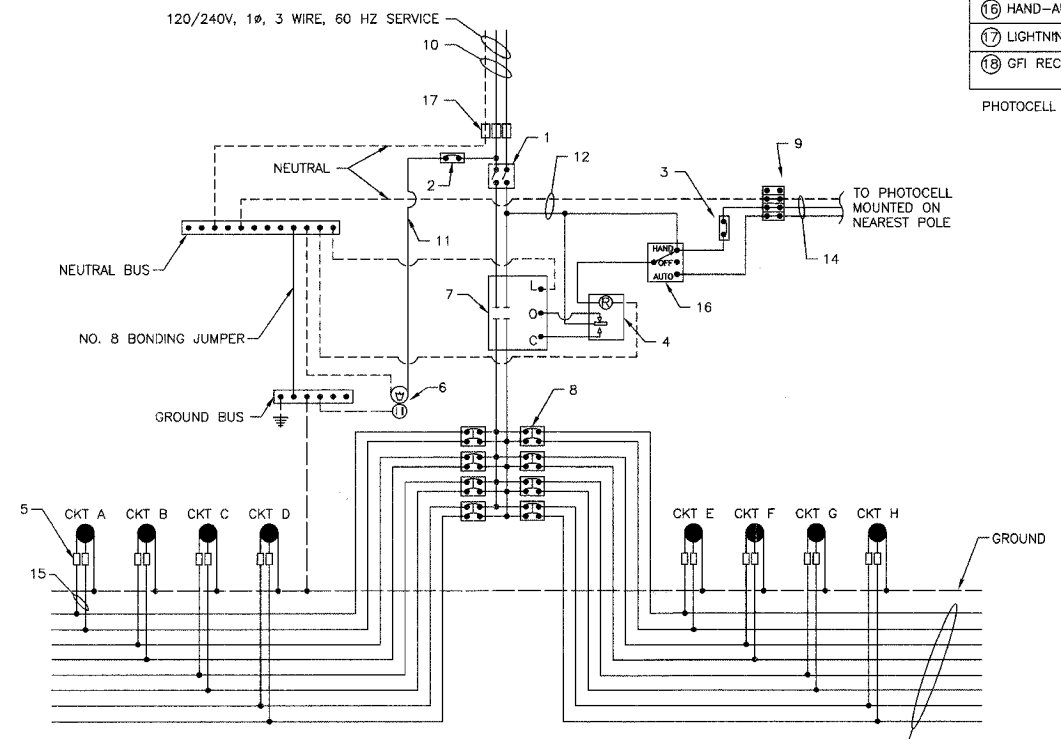
PHOTOCELL TO BE MOUNTED ON NEAREST POLE



LIGHTING CONTROLLER



GROUND FIELD DETAIL



LIGHTING CONTROLLER #BG3 - WIRING DIAGRAM
(EXISTING - SEE CIRCUIT DIAGRAM SHEET NO. 20)

REVISIONS

VILLAGE OF BUFFALO GROVE
DUNDEE ROAD LIGHTING IMPROVEMENT
LIGHTING DETAILS

DESIGNED BY: S.J.C.
CHECKED BY: D.N.M.
DATE: 07/10/2007

NOT TO SCALE