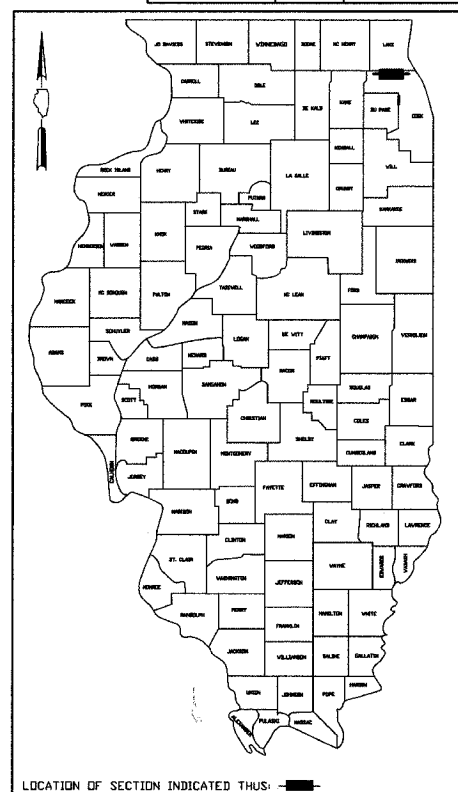


FALL REC.	SECTION	COUNTY	TOTAL SHEETS	SHEET NO.
	03-00087-00-LT	COOK	20	1
TITLE SHEET				
FED. ROAD DISTRICT NO. 7	ILLINOIS	FED. AID PROJECT M-8003(664)		



# STATE OF ILLINOIS DEPARTMENT OF TRANSPORTATION DIVISION OF HIGHWAYS

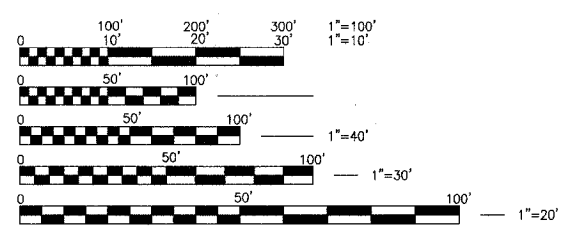
## PLANS FOR PROPOSED FEDERAL AID PROJECT DUNDEE ROAD SECTION 03-00087-00-LT PROJECT NO. M-8003(664) LIGHTING COOK COUNTY C-91-439-06 FAP ROUTE 343 Buffalo Grove R 11 E

INDEX OF SHEETS

SHEET NO.	DESCRIPTION
1	TITLE, INDEX & LOCATION MAP
2	SUMMARY OF QUANTITIES AND GENERAL NOTES
3-16	LIGHTING PLANS
17-20	LIGHTING DETAILS

INDEX OF STATE STANDARDS

NO.	DESCRIPTION
424001-04	CURB RAMPS FOR SIDEWALKS
701501-03	LANE CLOSURE, 2L 2W, DAY OR NIGHT OPERATIONS
701606-04	URBAN LANE CLOSURE, MULTILANE 2W WITH MOUNTABLE MEDIAN
701701-04	URBAN LANE CLOSURE, MULTILANE INTERSECTION
701801-03	LANE CLOSURE, MULTILANE, 1W OR 2W CROSSWALK OR SIDEWALK CLOSURE
702001-06	TRAFFIC CONTROL DEVICES



ENGINEERING SCALES, REDUCED SIZED PLANS WILL NOT CONFORM TO STANDARD SCALES, IN MAKING MEASUREMENTS ON REDUCED PLANS, THE ABOVE SCALES MAY BE USED.

THE "STANDARD SPECIFICATIONS FOR ROAD AND BRIDGE CONSTRUCTION", ADOPTED JANUARY 1, 2007 BY THE ILLINOIS DEPARTMENT OF TRANSPORTATION, SHALL GOVERN THIS WORK.



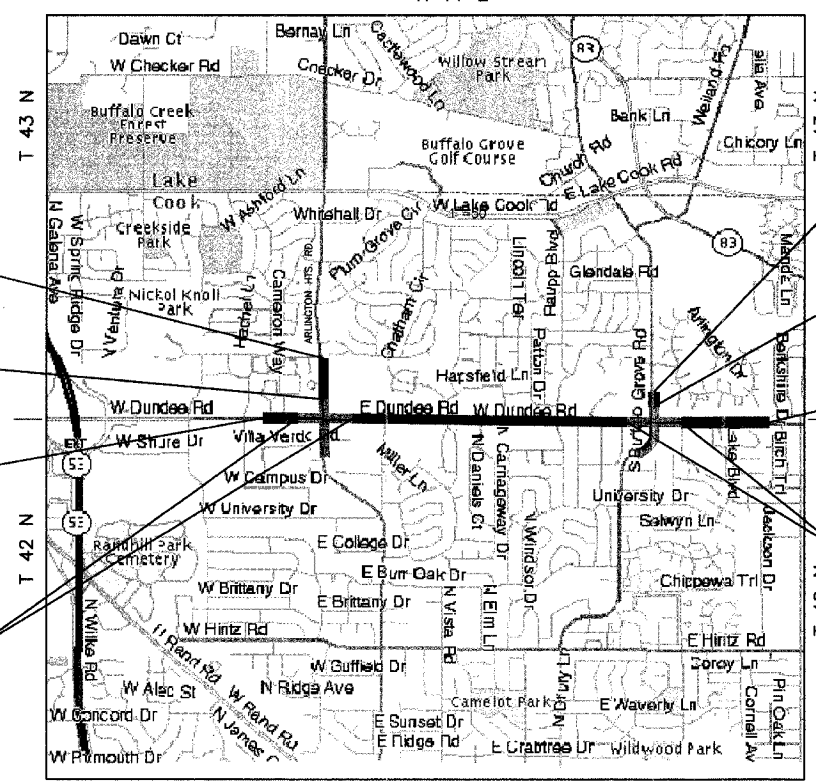
1-800-892-0123

PROJECT ENDS STA. 227+38  
ARLINGTON HEIGHTS RD.

PROJECT BEGINS STA. 220+06  
ARLINGTON HEIGHTS RD.

PROJECT BEGINS STA. 0+83  
DUNDEE RD.

INTERSECTION OMISSION STA. 7+63 TO STA. 19+16



R 11 E  
LOCATION MAP (NOT TO SCALE)

PROJECT ENDS STA. 319+16  
BUFFALO GROVE RD.

PROJECT BEGINS STA. 313+91  
BUFFALO GROVE RD.

PROJECT ENDS STA. 110+05  
DUNDEE RD.

INTERSECTION OMISSION STA. 78+30 TO STA. 91+95

NET AND GROSS PROJECT LENGTH: 9,638 FT. (1.83 MI)

STATE OF ILLINOIS  
DEPARTMENT OF TRANSPORTATION  
DIVISION OF HIGHWAYS

APPROVED July 11, 2007  
*Angus P. Bryan*  
VILLAGE OF BUFFALO GROVE, DIRECTOR OF PUBLIC WORKS

PASSED JULY 16, 2007  
*Christopher Holt*  
DISTRICT ONE ENGINEER OF LOCAL ROADS & STREETS

RELEASING FOR BID BASED ON LIMITED REVIEW July 17, 2007  
*Diane O'Keefe*  
DEPUTY DIRECTOR OF HIGHWAYS, REGION ONE ENGINEER

P.E. SIGNATURE: *David Mertz*  
P.E. NAME: DAVID MERTZ  
DATE: 10 JULY 2007  
IL LICENSE NO.: 062-052068  
LICENSE EXPIRATION: 11/30/2007

P.E. SIGNATURE: *Derek M. Mall*  
P.E. NAME: DEREK MALL  
DATE: July 12, 2007  
IL LICENSE NO.: 062-051308  
LICENSE EXPIRATION: 11/30/2007

SECTION	COUNTY	TOTAL SHEETS	SHEET NO
03-0087-00-LT	COOK	20	2
DUNDEE ROAD STA.		TO STA.	
FED. ROAD DISTRICT	ILLINOIS	FED. AID PROJECT	

SUMMARY OF QUANTITIES

Y030-1E

ITEM	PAY ITEM DESCRIPTION	UNIT	TOTAL QUANTITY
20101300	TREE PRUNING (1 TO 10 INCH DIAMETER)	EACH	13
20101350	TREE PRUNING (OVER 10 INCH DIAMETER)	EACH	7
20101400	NITROGEN FERTILIZER NUTRIENT	POUND	506
20101500	PHOSPHORUS FERTILIZER NUTRIENT	POUND	506
20101600	POTASSIUM FERTILIZER NUTRIENT	POUND	506
20101700	SUPPLEMENTAL WATERING	UNIT	102
21101615	TOPSOIL FURNISH AND PLACE, 4"	SQ YD	11,244
25200100	SODDING	SQ YD	11,244
4200130	PROTECTIVE COAT	SQ YD	156
42400200	PORTLAND CEMENT CONCRETE SIDEWALK 5 INCH	SQ FT	1450
44000600	SIDEWALK REMOVAL	SQ FT	1450
67100100	MOBILIZATION	L SUM	1
70102620	TRAFFIC CONTROL AND PROTECTION, STANDARD 701501	L SUM	1
70102625	TRAFFIC CONTROL AND PROTECTION, STANDARD 701606	L SUM	1
70102635	TRAFFIC CONTROL AND PROTECTION, STANDARD 701701	L SUM	1
70102640	TRAFFIC CONTROL AND PROTECTION, STANDARD 701801	L SUM	1
80400100	ELECTRIC SERVICE INSTALLATION	EACH	2
80400200	ELECTRIC UTILITY SERVICE CONNECTION	L SUM	1
81000600	CONDUIT IN TRENCH, 2" DIA., GALVANIZED STEEL	FOOT	215
81018500	CONDUIT PUSHED, 2" DIA., GALVANIZED STEEL	FOOT	125
81018900	CONDUIT PUSHED, 4" DIA., GALVANIZED STEEL	FOOT	3722
81019000	CONDUIT PUSHED, 5" DIA., GALVANIZED STEEL	FOOT	73
81400100	HANDHOLE	EACH	1
81900200	TRENCH AND BACKFILL FOR ELECTRICAL WORK	FOOT	14,400
81700120	ELECTRIC CABLE IN CONDUIT, 600V (EPR-TYPE RHW) 1-1/C NO. 6	FOOT	265
81701345	ELECTRIC CABLE IN CONDUIT, 600V (EPR-TYPE USE) 3-1/C NO. 3/0	FOOT	75
82102100	LUMINAIRE, SODIUM VAPOR, HORIZONTAL MOUNT, 100 WATT	EACH	1
82102250	LUMINAIRE, SODIUM VAPOR, HORIZONTAL MOUNT, 250 WATT	EACH	126
82103250	LUMINAIRE, SODIUM VAPOR, HORIZONTAL MOUNT, PHOTO-CELL CONTROL, 250 WATT	EACH	2
82500505	LIGHTING CONTROLLER, SPECIAL	EACH	1
83029200	LIGHT POLE, STEEL, 35 FT. M.H., 6 FT. MAST ARM	EACH	99
83600110	LIGHT POLE FOUNDATION (SPECIAL)	EACH	10
83600200	LIGHT POLE FOUNDATION, 24" DIAMETER	FOOT	870
83600215	LIGHT POLE FOUNDATION, 24" DIAMETER, OFFSET	FOOT	192
84200500	REMOVAL OF EXISTING LIGHTING UNIT, SALVAGE	EACH	3
84200700	LIGHTING FOUNDATION REMOVAL	EACH	18
84400105	RELOCATE EXISTING LIGHTING UNIT	EACH	14
84500110	REMOVAL OF LIGHTING CONTROLLER	EACH	1
84500120	REMOVAL OF ELECTRIC SERVICE INSTALLATION	EACH	6
84500130	REMOVAL OF LIGHTING CONTROLLER FOUNDATION	EACH	1
X0321478	MAINTENANCE OF EXISTING LIGHTING SYSTEM COMPLETE	L SUM	1
X0324637	BASE COVER, LIGHT POLE	EACH	27
X0325379	DIRECTIONAL BORING	FOOT	500
X8380083	BREAKAWAY DEVICE	EACH	113
XX000986	REMOVAL OF EXISTING LUMINAIRE AND SALVAGE	EACH	29
XX001368	PULL EXISTING CABLE FROM UNIT DUCT	FOOT	4,220
XX003303	CONCRETE LIGHT POLE	EACH	1
Δ Z0076600	TRAINEES	HOURLY	500
X007043	UNIT DUCT, WITH 4-1/C NO.6 AND 1-1/C NO. 6 GROUND, 600V (EPR-TYPE RHW), 2" DIA., POLYETHYLENE	FOOT	9,482
X007044	UNIT DUCT, WITH 2-1/C NO.6 AND 1-1/C NO. 6 GROUND, 600V (EPR-TYPE RHW), 2" DIA., POLYETHYLENE	FOOT	1,984
X007045	UNIT DUCT, WITH 4-1/C NO.4 AND 1-1/C NO. 4 GROUND, 600V (EPR-TYPE RHW), 2" DIA., POLYETHYLENE	FOOT	8,074
X007046	UNIT DUCT, WITH 2-1/C NO.4 AND 1-1/C NO. 4 GROUND, 600V (EPR-TYPE RHW), 2" DIA., POLYETHYLENE	FOOT	706

Δ Y080

GENERAL NOTES

SPECIFICATIONS, STANDARDS AND SPECIAL PROVISIONS

- ALL REFERENCES TO "STANDARD SPECIFICATIONS" IN THESE GENERAL NOTES SHALL BE INTERPRETED TO MEAN THE "STANDARD SPECIFICATIONS FOR ROAD AND BRIDGE CONSTRUCTION", ADOPTED BY THE ILLINOIS DEPARTMENT OF TRANSPORTATION ON JANUARY 1, 2007.
- ALL CONSTRUCTION SHALL BE IN ACCORDANCE WITH THE "STANDARD SPECIFICATIONS"; THE "SUPPLEMENTAL SPECIFICATIONS AND RECURRING SPECIAL PROVISIONS", ADOPTED JANUARY 1, 2007; THE LATEST EDITION OF THE "ILLINOIS MANUAL ON UNIFORM TRAFFIC CONTROL DEVICES FOR STREETS AND HIGHWAYS"; AND THE "SPECIAL PROVISIONS AND IDOT STANDARD DRAWINGS" INCLUDED IN THE CONTRACT DOCUMENTS.
- ANY REFERENCE TO "STANDARD" THROUGHOUT THE PLANS, SPECIAL PROVISIONS OR THESE GENERAL NOTES SHALL BE INTERPRETED TO MEAN THE LATEST VERSION OF THAT IDOT STANDARD DRAWING.
- ALL TRAFFIC CONTROL AND OTHER ADVISORY SIGNS NEEDED FOR CONSTRUCTION ARE TO BE FURNISHED BY THE CONTRACTOR IN ACCORDANCE WITH SECTION 700 OF THE "STANDARD SPECIFICATIONS".
- ALL REFERENCES TO "ENGINEER" SHALL BE INTERPRETED TO MEAN THE RESIDENT ENGINEER. ALL REFERENCES TO "VILLAGE" SHALL BE INTERPRETED TO MEAN THE VILLAGE OF BUFFALO GROVE.

LANDSCAPING

- WHEN DIRECTED BY THE ENGINEER, SUPPLEMENTAL WATERING SHALL BE APPLIED TO ALL SODDED AREAS PRIOR TO FINAL ACCEPTANCE, AT A RATE SPECIFIED BY THE ENGINEER AND IN ACCORDANCE WITH THE "STANDARD SPECIFICATIONS" AND SPECIAL PROVISIONS.

UTILITIES

- THE CONTRACTOR SHALL COOPERATE WITH THE VILLAGE IN ANY UNDERGROUND UTILITY CONSTRUCTION THAT THE VILLAGE MAY WANT TO INITIATE DURING THE CONTRACTOR'S OPERATIONS.
- THE CONTRACTOR SHALL COORDINATE CONSTRUCTION ACTIVITIES WITH UTILITY COMPANIES. THE LOCATIONS OF PUBLIC OR PRIVATE UTILITIES SHOWN ON THE PLANS ARE APPROXIMATE, AND THE ENGINEER DOES NOT GUARANTEE THEIR ACCURACY. THE CONTRACTOR WILL BE REQUIRED TO ASCERTAIN THE EXACT LOCATIONS OF SUCH UTILITIES AND EXERCISE CARE DURING HIS CONSTRUCTION OPERATIONS SO AS NOT TO DAMAGE THEM, IN ACCORDANCE WITH THE SPECIAL PROVISIONS AND ARTICLE 107.31 OF THE "STANDARD SPECIFICATIONS". THE CONTRACTOR SHALL BE RESPONSIBLE FOR CONTACTING THE OWNERS OF ALL EXISTING UTILITIES SO THAT THEIR FACILITIES MAY BE LOCATED AND ADJUSTED OR MOVED, IN NECESSARY, PRIOR TO THE START OF CONSTRUCTION OPERATIONS.
- THE CONTRACTOR SHALL BE RESPONSIBLE FOR THE PROTECTION OF ALL UNDERGROUND OR SURFACE UTILITIES EVEN THOUGH THEY MAY NOT BE SHOWN ON THE PLANS. ANY UTILITY THAT IS DAMAGED DURING CONSTRUCTION SHALL BE REPAIRED OR REPLACED TO THE SATISFACTION OF THE ENGINEER AND THE VILLAGE. THIS WORK SHALL BE AT THE CONTRACTOR'S EXPENSE.
- COORDINATION OF ANY UTILITY WORK INVOLVED IN THE CONSTRUCTION AREA WILL BE DISCUSSED AT THE PRECONSTRUCTION CONFERENCE.
- BEFORE STARTING ANY EXCAVATION, THE CONTRACTOR SHALL CALL "JULIE" AT 1-800-892-0123 FOR FIELD LOCATIONS OF BURIED ELECTRIC, TELEPHONE, GAS, WATER, SEWER AND CABLE TELEVISION FACILITIES (48 HOUR NOTIFICATION IS REQUIRED).
- THE CONTRACTOR SHALL RECEIVE NO ADDITIONAL COMPENSATION FOR CONSTRUCTION STAGING NECESSARY TO ACCOMMODATE UTILITY RELOCATION OR ADJUSTMENT, AND/OR FOR DELAYS CAUSED BY UTILITY RELOCATION OR ADJUSTMENT.

PERMIT

- THE CONTRACTOR SHALL BE RESPONSIBLE FOR OBTAINING ALL NECESSARY PERMITS AND CONTRACT OR PERMIT BONDS FROM THE VILLAGE OF BUFFALO GROVE, VILLAGE OF ARLINGTON HEIGHTS, COOK COUNTY OR ANY OTHER AGENCY THAT REQUIRES IT. ANY COSTS INCURRED BY THE CONTRACTOR WILL BE INCIDENTAL TO THIS CONTRACT.
- INITIAL PLAN PERMIT FOR COOK COUNTY HAS BEEN APPLIED FOR. CONTRACTOR SHALL PROVIDE NECESSARY BOND AND INSURANCE.

MAINTENANCE OF EXISTING LIGHTING SYSTEM COMPLETE

- EXISTING LIGHTING SYSTEMS WITHIN THE PROJECT AREA WHICH ARE EITHER BEING RELOCATED OR REMOVED SHALL BE MAINTAINED BY THE CONTRACTOR AND REMAIN OPERATIONAL DURING CONSTRUCTION UNTIL PROPOSED LIGHTING UNITS ARE READY TO BE ERECTED OR UNTIL THE UNIT IS REQUIRED TO BE REMOVED DUE TO PROPOSED CONSTRUCTION OR AS DIRECTED BY THE ENGINEER.

MISCELLANEOUS

- THE CONTRACTOR SHALL PROVIDE ACCESS TO ABUTTING PROPERTY AT ALL TIMES DURING THE CONSTRUCTION OF THIS PROJECT, EXCEPT FOR PERIODS OF SHORT DURATION (4 HOURS OR LESS). THIS WORK SHALL BE CONSIDERED INCIDENTAL TO THE CONTRACT.
- IT SHALL BE THE CONTRACTOR'S RESPONSIBILITY TO VERIFY ALL DIMENSIONS AND CONDITIONS IN THE FIELD PRIOR TO ORDERING MATERIALS AND BEGINNING CONSTRUCTION.
- THE CONTRACTOR SHALL PROVIDE AND INSTALL 2 WEIGHTED SANDBAGS ON ANY TYPE I OR TYPE II BARRICADE USED (1 SANDBAG SHALL BE PLACED ACROSS EACH BOTTOM RAIL).
- PAY ITEMS IN THE SUMMARY OF QUANTITIES HAVE BEEN ESTIMATED. IF, IN THE ENGINEER'S OPINION, ANY WORK IS NOT REQUIRED, THAT ITEM WILL BE DEDUCTED FROM THE CONTRACT AND NO ADDITIONAL COMPENSATION WILL BE ALLOWED.
- ALL WASTE MATERIAL SHALL BE LEGALLY DISPOSED OF OUTSIDE THE LIMITS OF THE R.O.W. AT THE CONTRACTOR'S EXPENSE. THE CONTRACTOR SHALL BE RESPONSIBLE FOR PROMPT CLEANUP AND DISPOSAL OF ANY AND ALL DEBRIS GENERATED BY OR INCIDENTAL TO WORK COVERED BY THIS CONTRACT.
- THE CONTRACTOR SHALL COMPLY WITH ALL LOCAL CODES, ORDINANCES AND REGULATIONS CONCERNING MAINTENANCE OF TRAFFIC.
- THE CABLE TRENCH SHALL BE BACKFILLED AND FIRMLY COMPACTED BEFORE ANY LIGHT STANDARD IS ERECTED.
- EXISTING LIGHTING CABLES SHALL BE REMOVED OR ABANDONED AS SHOWN OR AS DIRECTED BY THE ENGINEER. CABLES IN CONDUIT OR UNIT DUCT SHALL BE REMOVED. DIRECT BURIAL CABLES MAY BE ABANDONED WHERE APPROVED BY THE ENGINEER.
- ALL PUSHED CONDUITS ON PLANS SHALL BE DIRECTIONAL BORE AND QUANTITY SHALL BE PAID FOR AS CONDUIT PUSHED.
- ALL EXISTING LIGHTING UNIT TO BE RELOCATED OR TO REMAIN IN PLACE SHALL HAVE THEIR LUMINAIRES REMOVED AND REPLACED WITH NEW LUMINAIRE. THIS WORK SHALL BE PAID AS REMOVAL OF EXISTING LUMINAIRE AND SALVAGE, AND INSTALL LUMINAIRE OF THE TYPE SPECIFIED.
- THE VILLAGE OF ARLINGTON HEIGHTS SHALL BE CONTACTED PRIOR TO ANY WORK ON THEIR ELECTRICAL SYSTEM.
- GROUNDING CONNECTIONS AT THE FOUNDATION SHALL BE EXOTHERMICALLY WELDED AND SHALL BE INSPECTED AND APPROVED BY THE RESIDENT ENGINEER PRIOR TO POURING CONCRETE OR BACKFILLING AS APPLICABLE.
- THE INSTALLATION OF BURIED WARNING TAPE SHALL BE INSPECTED AND APPROVED BY THE RESIDENT ENGINEER.
- ALL STREET LIGHT POLES ON BUFFALO GROVE ROAD AND ARLINGTON HEIGHTS ROAD SHALL BE SET BACK A MINIMUM OF 6 FEET FROM THE BACK OF CURB.
- NO POLES SHALL BE ERECTED UNTIL THE RESPECTIVE FOUNDATIONS HAVE CURED, AS APPROVED BY ENGINEER.

REVISIONS	

VILLAGE OF BUFFALO GROVE  
DUNDEE ROAD LIGHTING IMPROVEMENT  
GENERAL NOTES

DESIGNED BY: S.J.C.  
CHECKED BY: D.N.M.  
DATE: 07/10/2007

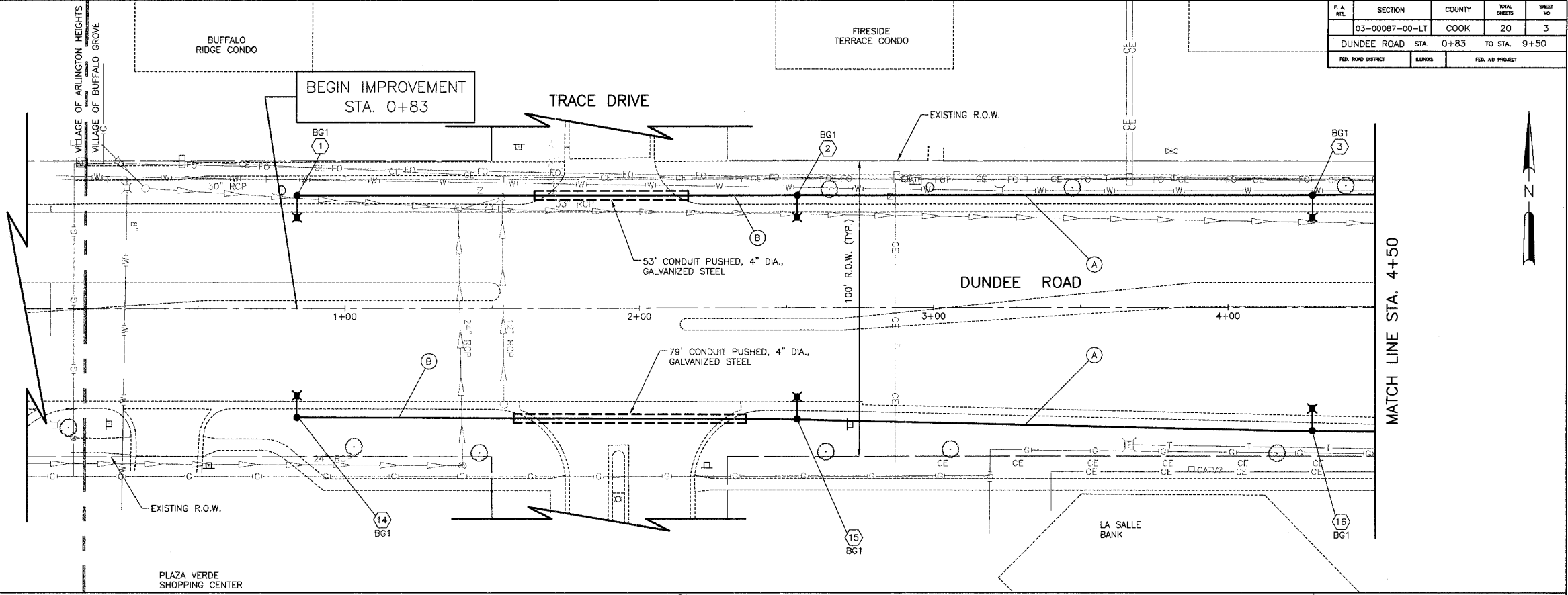
NO SCALE

T.A. NO.	SECTION	COUNTY	TOTAL SHEETS	SHEET NO.
03-0087-00-LT		COOK	20	3
DUNDEE ROAD STA. 0+83 TO STA. 9+50				
FED. ROAD DISTRICT	ILLINOIS	FED. AID PROJECT		

POLE NUMBER	CONTROLLER NO.	STATION	OFFSET	LIGHT CIRCUIT	FOUNDATION TYPE
1	BG1	0+84	3' B.C.	B	OS
2	BG1	2+54	3' B.C.	A	24
3	BG1	4+29	3' B.C.	B	24
14	BG1	0+84	3' B.C.	A	24
15	BG1	2+54	3' B.C.	B	24
16	BG1	4+29	3' B.C.	A	24

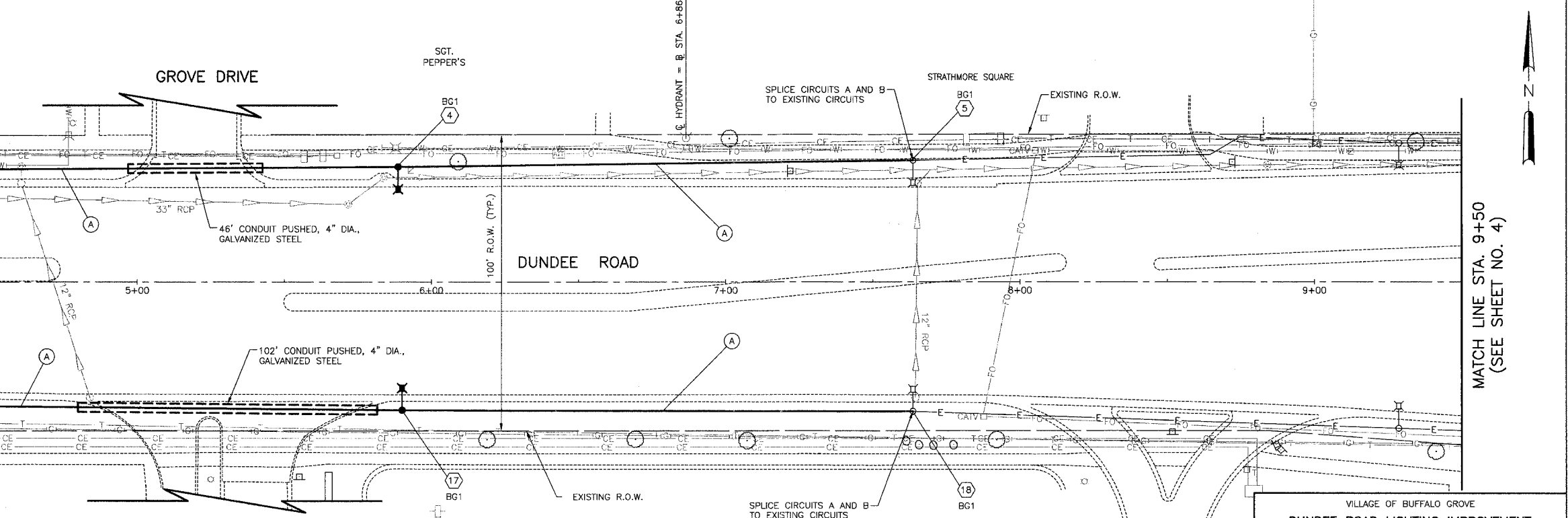
**FOUNDATION TYPE**  
 24 = LIGHT POLE FOUNDATION, 24" DIAMETER  
 OS = LIGHT POLE FOUNDATION, 24" DIAMETER, OFFSET  
 SP = LIGHT POLE FOUNDATION (SPECIAL)  
 EX = EXISTING FOUNDATION

- (A) UNIT DUCT, WITH 4-1/C NO. 6 AND 1-1/C NO. 6 GROUND, 600V (EPR-TYPE RHW), 2" DIA., POLYETHYLENE
- (B) UNIT DUCT, WITH 2-1/C NO. 6 AND 1-1/C NO. 6 GROUND, 600V (EPR-TYPE RHW), 2" DIA., POLYETHYLENE
- (C) UNIT DUCT, WITH 4-1/C NO. 4 AND 1-1/C NO. 4 GROUND, 600V (EPR-TYPE RHW), 2" DIA., POLYETHYLENE
- (D) UNIT DUCT, WITH 2-1/C NO. 4 AND 1-1/C NO. 4 GROUND, 600V (EPR-TYPE RHW), 2" DIA., POLYETHYLENE



**LEGEND**

- PROPOSED BUFFALO GROVE STANDARD LIGHTING UNIT-LIGHT POLE, STEEL, 35 FT. M.H., 6 FT. MAST ARM WITH LUMINAIRE, SODIUM VAPOR, HORIZONTAL MOUNT, 250 WATT
- PROPOSED BUFFALO GROVE LIGHTING UNIT-LIGHT POLE, STEEL, 30 FT. M.H., 6 FT. MAST ARM WITH LUMINAIRE, SODIUM VAPOR, HORIZONTAL MOUNT, 100 WATT
- EXISTING STANDARD BUFFALO GROVE LIGHTING UNIT
- EXISTING STANDARD ARLINGTON HEIGHTS LIGHTING UNIT
- EXISTING UTILITY POLE MOUNTED LIGHTING UNIT TO BE REMOVED BY OTHERS
- EXISTING LIGHTING UNIT TO BE REMOVED
- EXISTING LIGHTING UNIT TO BE RELOCATED
- EXISTING LIGHTING UNIT TO BE REMAIN REMOVAL OF EXISTING LUMINAIRE AND SALVAGE INSTALL LUMINAIRE, SODIUM VAPOR, HORIZONTAL MOUNT, 250 WATT, INSTALL BASE COVER, LIGHT POLE.
- PROPOSED LIGHTING CONTROLLER (SPECIAL)
- PROPOSED HANDHOLE
- PROPOSED UNIT DUCT, PUSHED OR TRENCHED AS NOTED
- EXISTING CABLE IN CONDUIT
- PROPOSED RIGID GALVANIZED STEEL CONDUIT, PUSHED, OF THE SIZE SPECIFIED
- BUFFALO GROVE LIGHTING CONTROLLER NUMBER 2
- LIGHT POLE NUMBER 1
- EXISTING SIDEWALK TO BE REMOVED AND REPLACED WITH P.C.C. SIDEWALK, 5"



POLE NUMBER	CONTROLLER NO.	STATION	OFFSET	LIGHT CIRCUIT	FOUNDATION TYPE
4	BG1	5+90	3' B.C.	A	24
5	BG1	EX. VILLAGE ID # 9950		B	EX
17	BG1	5+90	3' B.C.	B	24
18	BG1	EX. VILLAGE ID # 9951		A	EX

NO.	REVISIONS

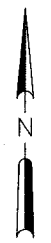
VILLAGE OF BUFFALO GROVE  
**DUNDEE ROAD LIGHTING IMPROVEMENT**  
**LIGHTING PLAN**  
 DUNDEE ROAD  
 STA. 0+83 TO STA. 9+50

DESIGNED BY: S.J.C.  
 CHECKED BY: D.N.M.  
 DATE: 07/10/2007

SCALE IN FEET

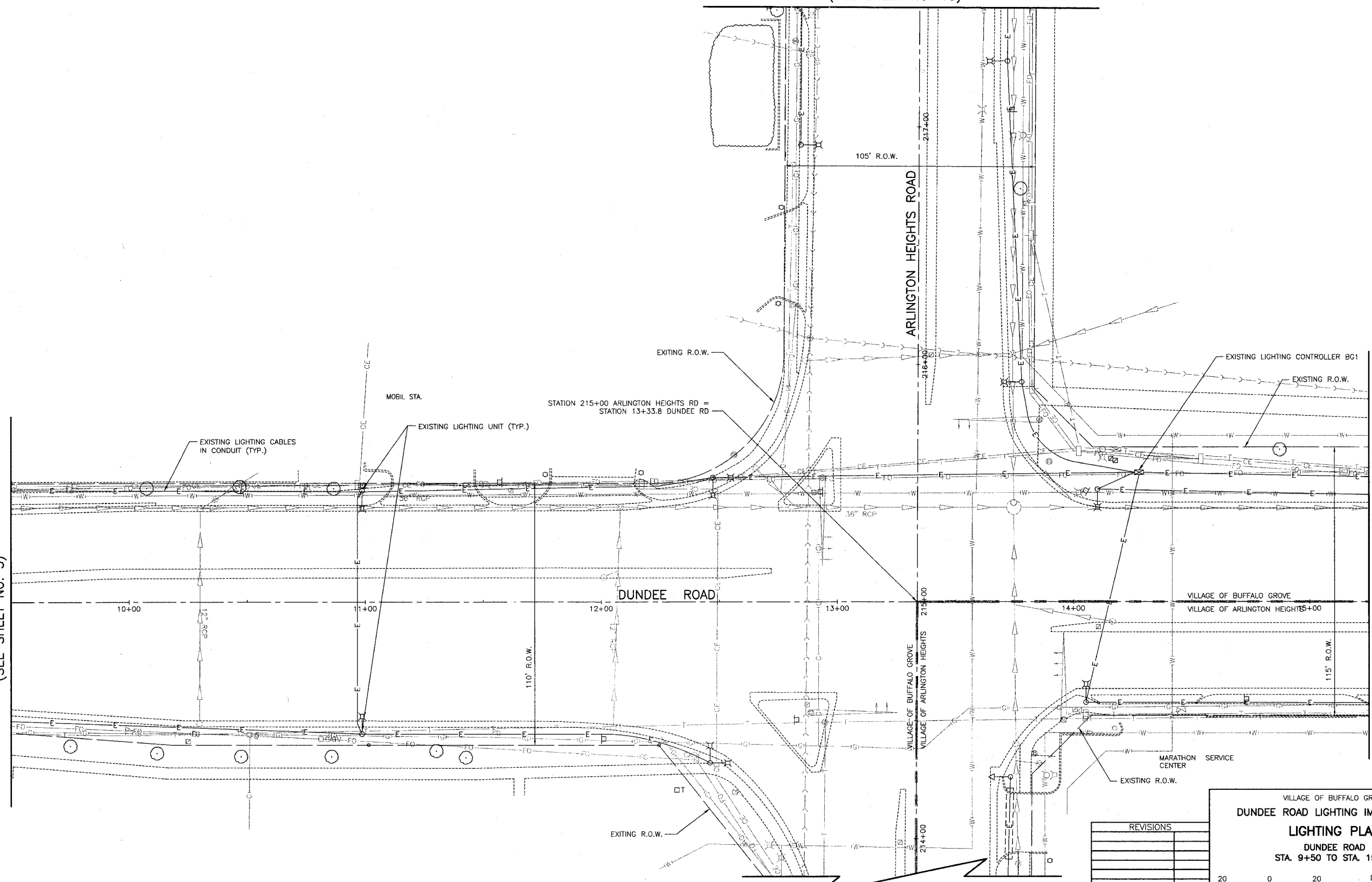
F.A. NO.	SECTION	COUNTY	TOTAL SHEETS	SHEET NO.
03-00087-00-LT		COOK	20	4
DUNDEE ROAD STA. 9+50 TO STA. 15+25				
FED. ROAD DISTRICT	ILLINOIS	FED. AID PROJECT		

MATCH LINE STA. 217+50  
(SEE SHEET NO. 15)



MATCH LINE STA. 9+50  
(SEE SHEET NO. 3)

MATCH LINE STA. 15+25  
(SEE SHEET NO. 5)



NO.	DATE	REVISIONS

VILLAGE OF BUFFALO GROVE  
**DUNDEE ROAD LIGHTING IMPROVEMENT**  
**LIGHTING PLAN**  
 DUNDEE ROAD  
 STA. 9+50 TO STA. 15+25

DESIGNED BY: S.J.C.  
 CHECKED BY: D.N.M.  
 DATE: 07/10/2007

SCALE IN FEET

F.A. NO.	SECTION	COUNTY	TOTAL SHEETS	SHEET NO.
03-0007-00-LT	COOK	20	5	
DUNDEE ROAD STA. 15+25 TO STA. 25+25				
FEL. ROAD DISTRICT	ILLINOIS	FEL. AD. PROJECT		

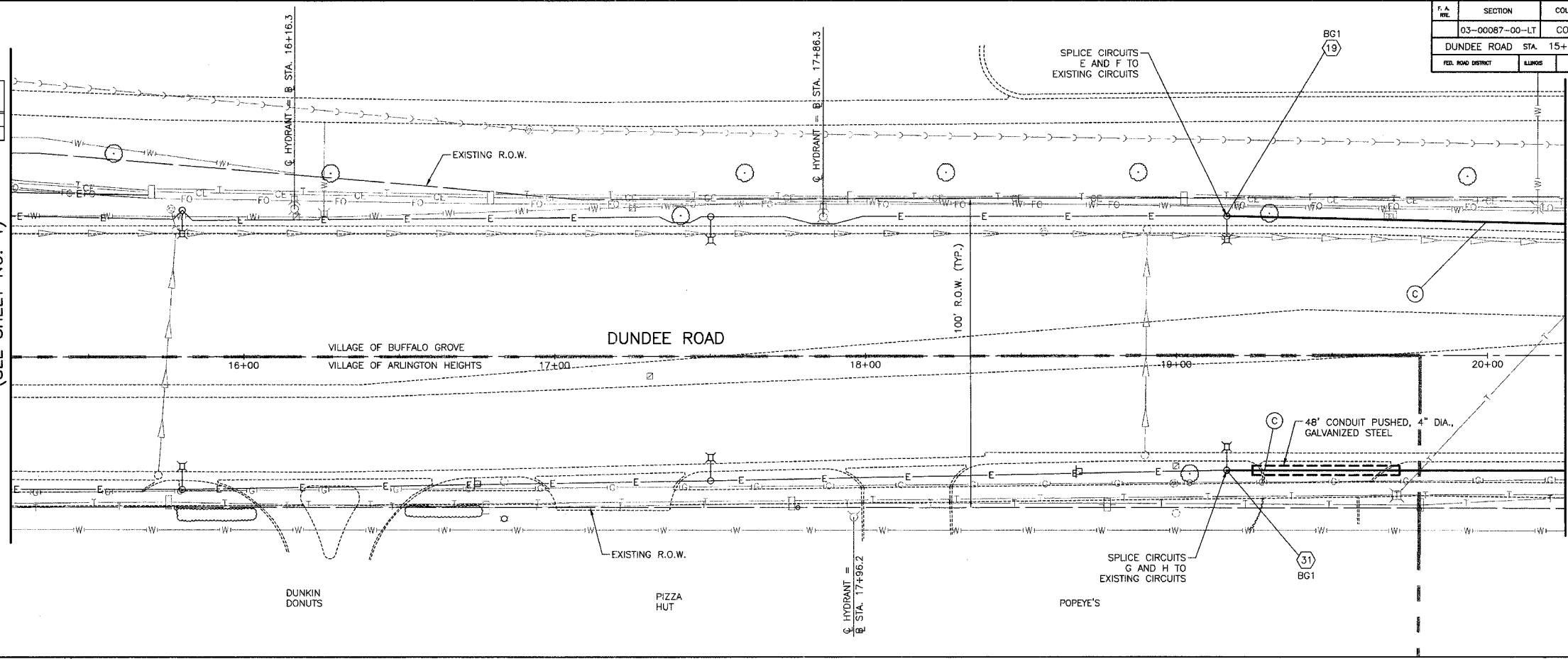
POLE NUMBER	CONTROLLER NO.	STATION	OFFSET	LIGHT CIRCUIT	FOUNDATION TYPE
19	BG1	EX. VILLAGE ID # 9964		F	EX
31	BG1	EX. VILLAGE ID # 9965		H	EX

**FOUNDATION TYPE**  
 24 = LIGHT POLE FOUNDATION, 24" DIAMETER  
 OS = LIGHT POLE FOUNDATION, 24" DIAMETER, OFFSET  
 SP = LIGHT POLE FOUNDATION (SPECIAL)  
 EX = EXISTING FOUNDATION

- (A) UNIT DUCT, WITH 4-1/C NO. 6 AND 1-1/C NO. 6 GROUND, 600V (EPR-TYPE RHW), 2" DIA., POLYETHYLENE
- (B) UNIT DUCT, WITH 2-1/C NO. 6 AND 1-1/C NO. 6 GROUND, 600V (EPR-TYPE RHW), 2" DIA., POLYETHYLENE
- (C) UNIT DUCT, WITH 4-1/C NO. 4 AND 1-1/C NO. 4 GROUND, 600V (EPR-TYPE RHW), 2" DIA., POLYETHYLENE
- (D) UNIT DUCT, WITH 2-1/C NO. 4 AND 1-1/C NO. 4 GROUND, 600V (EPR-TYPE RHW), 2" DIA., POLYETHYLENE

MATCH LINE STA. 15+25  
(SEE SHEET NO. 4)

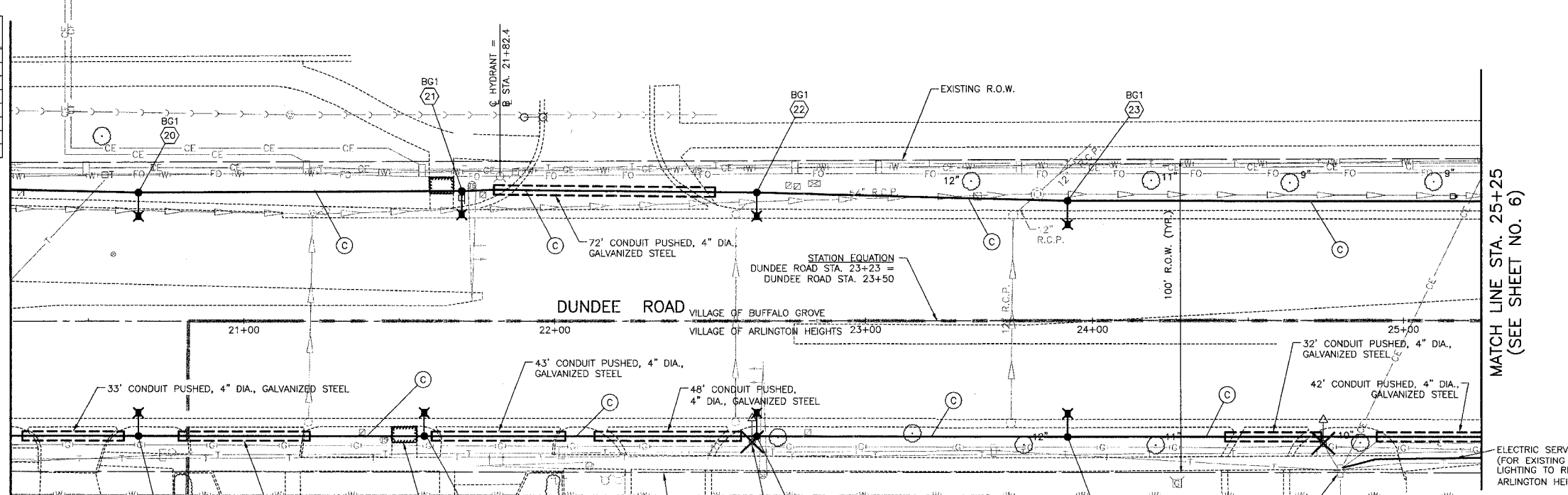
MATCH LINE STA. 20+25



POLE NUMBER	CONTROLLER NO.	STATION	OFFSET	LIGHT CIRCUIT	FOUNDATION TYPE
20	BG1	20+66	3' B.C.	E	24
21	BG1	21+70	3' B.C.	F	24
22	BG1	22+65	3' B.C.	E	OS
23	BG1	23+65	3' B.C.	F	24
32	BG1	20+66	3' B.C.	G	24
33	BG1	21+57	3' B.C.	H	24
34	BG1	22+85	3' B.C.	G	24
35	BG1	23+65	3' B.C.	H	24

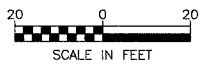
MATCH LINE STA. 20+25

MATCH LINE STA. 25+25  
(SEE SHEET NO. 6)



VILLAGE OF BUFFALO GROVE  
**DUNDEE ROAD LIGHTING IMPROVEMENT**  
**LIGHTING PLAN**  
 DUNDEE ROAD  
 STA. 15+25 TO STA. 25+25

NO.	REVISIONS

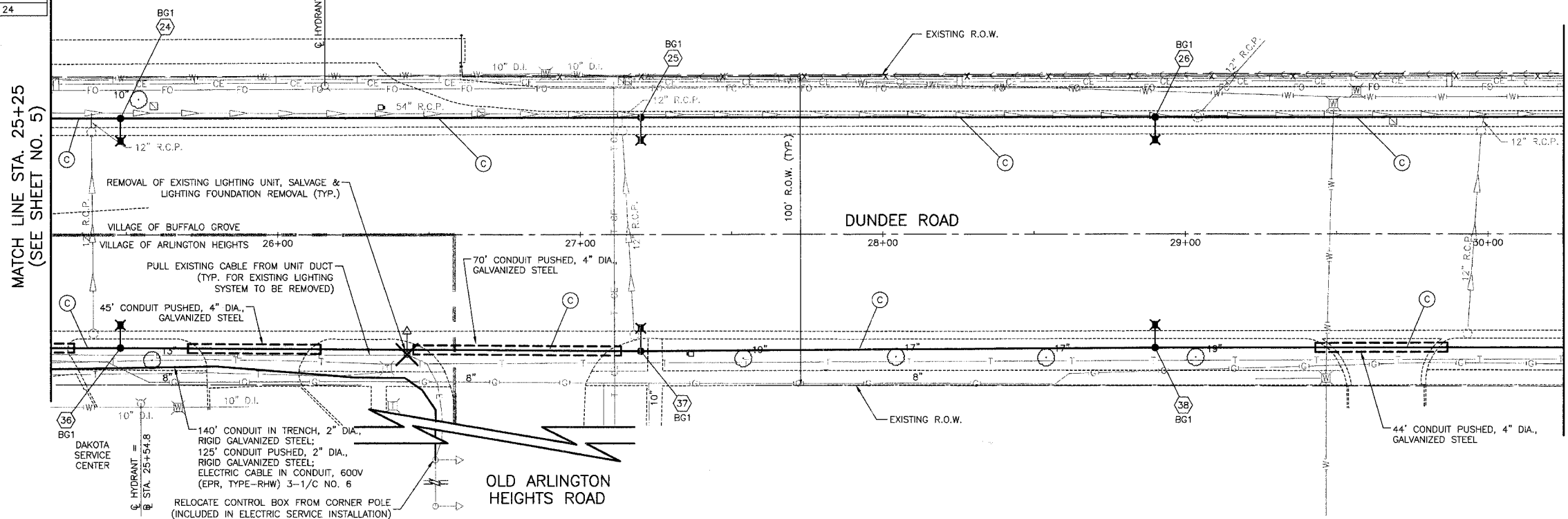


DESIGNED BY: S.J.C.  
 CHECKED BY: D.N.M.  
 DATE: 07/10/2007

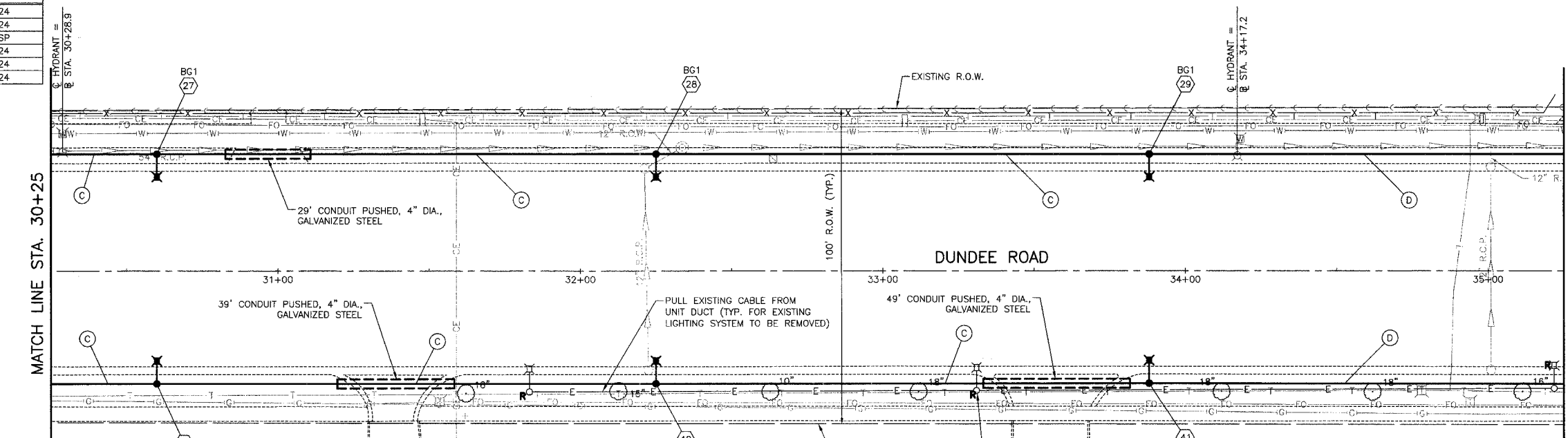
F.A. NO.	SECTION	COUNTY	TOTAL SHEETS	SHEET NO.
03-0087-00-LT	COOK	20	6	
DUNDEE ROAD STA. 25+25 TO STA. 35+25				
FED. ROAD DISTRICT	ALIKINS	FED. AID PROJECT		

POLE NUMBER	CONTROLLER NO.	STATION	OFFSET	LIGHT CIRCUIT	FOUNDATION TYPE
24	BG1	25+48	3' B.C.	E	SP
25	BG1	27+20	3' B.C.	F	SP
26	BG1	28+90	3' B.C.	E	24
36	BG1	25+48	3' B.C.	G	24
37	BG1	27+20	3' B.C.	H	24
38	BG1	28+90	3' B.C.	G	24

**FOUNDATION TYPE**  
 24 = LIGHT POLE FOUNDATION, 24" DIAMETER  
 OS = LIGHT POLE FOUNDATION, 24" DIAMETER, OFFSET  
 SP = LIGHT POLE FOUNDATION (SPECIAL)  
 EX = EXISTING FOUNDATION



POLE NUMBER	CONTROLLER NO.	STATION	OFFSET	LIGHT CIRCUIT	CONTROLLER NO.
27	BG1	29+60	3' B.C.	F	24
28	BG1	32+25	3' B.C.	E	24
29	BG1	33+88	3' B.C.	F	SP
39	BG1	29+60	3' B.C.	H	24
40	BG1	32+25	3' B.C.	G	24
41	BG1	33+88	3' B.C.	H	24

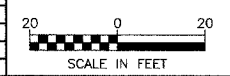


- (A) UNIT DUCT, WITH 4-1/2\"/>
- (B) UNIT DUCT, WITH 2-1/2\"/>
- (C) UNIT DUCT, WITH 4-1/2\"/>
- (D) UNIT DUCT, WITH 2-1/2\"/>

RELOCATE EXISTING LIGHTING UNIT, LIGHTING FOUNDATION REMOVAL, REMOVAL OF EXISTING LUMINAIRE, AND INSTALL NEW LUMINAIRE, SODIUM VAPOR, HORIZONTAL MOUNT, 250 WATT (TYP.)

NO.	REVISIONS

VILLAGE OF BUFFALO GROVE  
**DUNDEE ROAD LIGHTING IMPROVEMENT**  
**LIGHTING PLAN**  
 DUNDEE ROAD  
 STA. 25+25 TO STA. 35+25



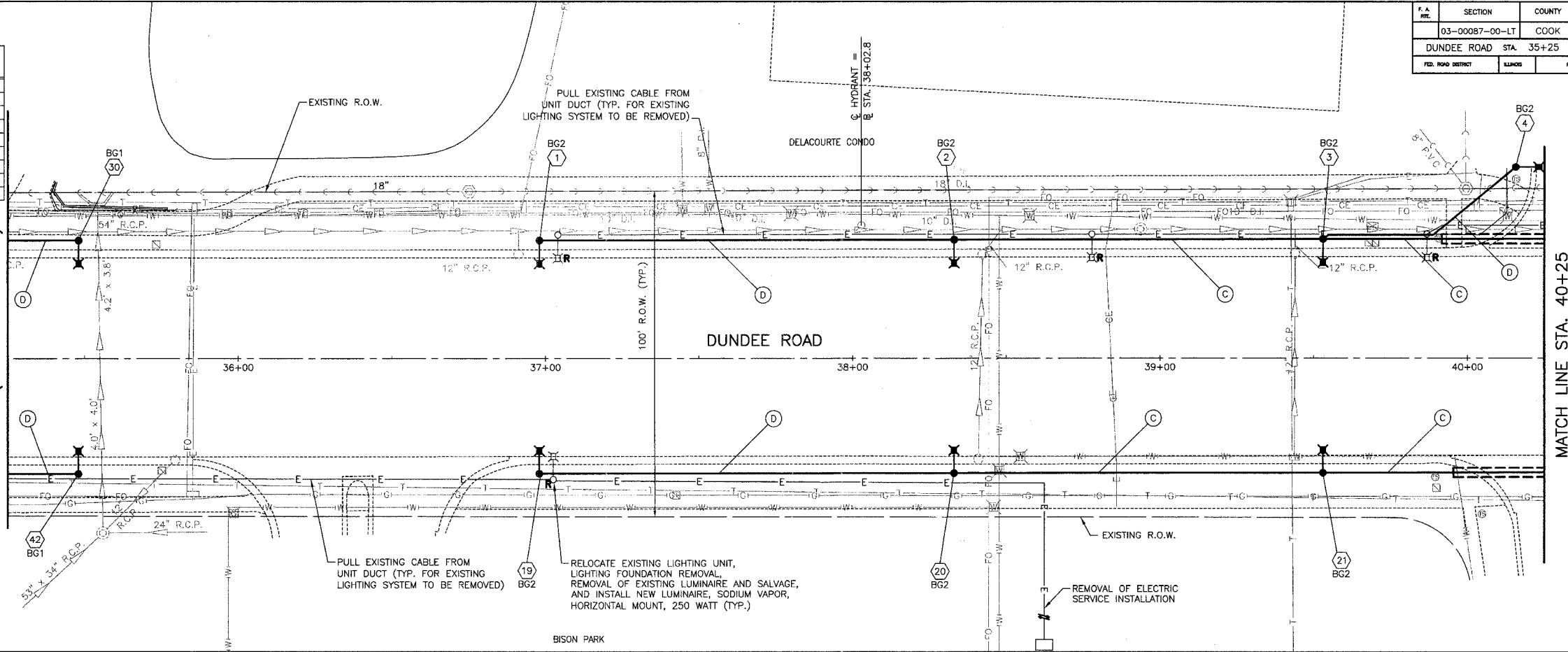
DESIGNED BY: S.J.C.  
 CHECKED BY: D.N.M.  
 DATE: 07/10/2007

F.A. NO.	SECTION	COUNTY	TOTAL SHEETS	SHEET NO.
03-00087-00-LT		COOK	20	7
DUNDEE ROAD STA. 35+25 TO STA. 45+25				
FED. RD. DISTRICT	ALNOS	FED. AID PROJECT		

POLE NUMBER	CONTROLLER NO.	STATION	OFFSET	LIGHT CIRCUIT	FOUNDATION TYPE
30	BG1	35+48	3' B.C.	E	OS
1	BG2	36+98	3' B.C.	A	OS
2	BG2	38+23	3' B.C.	B	OS
3	BG2	39+48	3' B.C.	A	OS
4	BG2	40+16	3' B.C.	B	24
42	BG1	35+48	3' B.C.	G	24
19	BG2	36+98	3' B.C.	D	24
20	BG2	38+23	3' B.C.	C	24
21	BG2	39+48	3' B.C.	D	24

**FOUNDATION TYPE**  
 24 = LIGHT POLE FOUNDATION, 24" DIAMETER  
 OS = LIGHT POLE FOUNDATION, 24" DIAMETER, OFFSET  
 SP = LIGHT POLE FOUNDATION (SPECIAL)  
 EX = EXISTING FOUNDATION

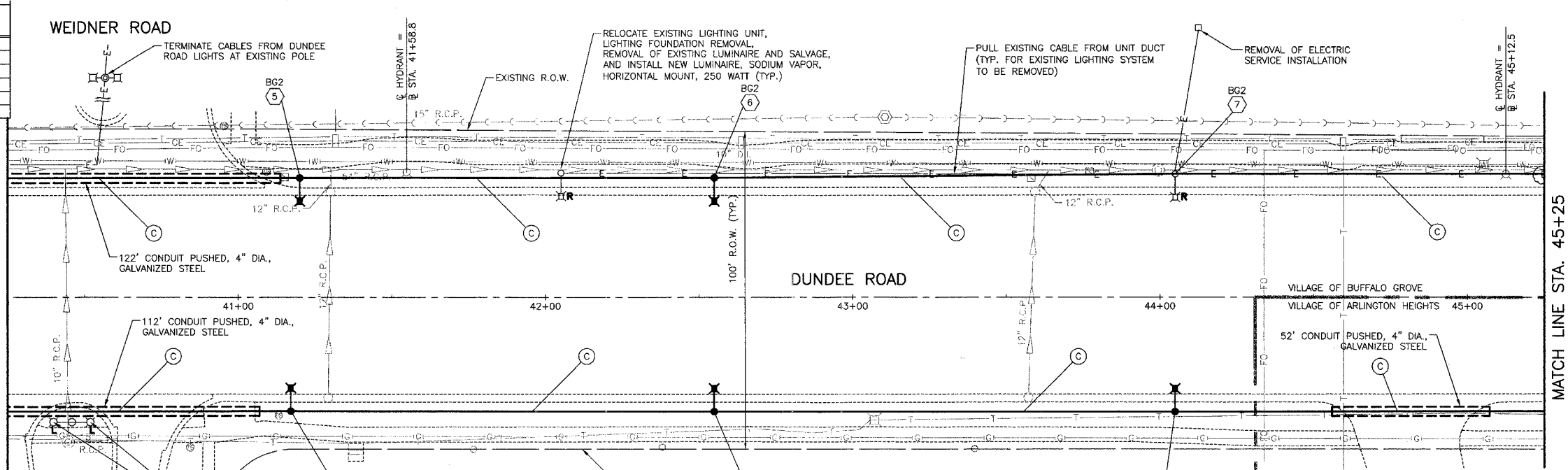
MATCH LINE STA. 35+25  
(SEE SHEET NO. 6)



MATCH LINE STA. 40+25

POLE NUMBER	CONTROLLER NO.	STATION	OFFSET	LIGHT CIRCUIT	FOUNDATION TYPE
5	BG2	41+20	3' B.C.	A	OS
6	BG2	42+83	3' B.C.	B	SP
7	BG2	44+28	3' B.C.	A	24
22	BG2	41+18	3' B.C.	C	24
23	BG2	42+83	3' B.C.	D	24
24	BG2	44+28	3' B.C.	C	24

MATCH LINE STA. 40+25



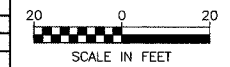
MATCH LINE STA. 45+25  
(SEE SHEET NO. 8)

- (A) UNIT DUCT, WITH 4-1/C NO. 6 AND 1-1/C NO. 6 GROUND, 600V (EPR-TYPE RHW), 2" DIA., POLYETHYLENE
- (B) UNIT DUCT, WITH 2-1/C NO. 6 AND 1-1/C NO. 6 GROUND, 600V (EPR-TYPE RHW), 2" DIA., POLYETHYLENE
- (C) UNIT DUCT, WITH 4-1/C NO. 4 AND 1-1/C NO. 4 GROUND, 600V (EPR-TYPE RHW), 2" DIA., POLYETHYLENE
- (D) UNIT DUCT, WITH 2-1/C NO. 4 AND 1-1/C NO. 4 GROUND, 600V (EPR-TYPE RHW), 2" DIA., POLYETHYLENE

REMOVAL OF EXISTING LUMINAIRE AND SALVAGE, AND INSTALL NEW LUMINAIRE, SODIUM VAPOR, HORIZONTAL MOUNT, PHOTO-CELL CONTROL, 250 WATT; EXISTING POLE AND FOUNDATION TO REMAIN

VILLAGE OF BUFFALO GROVE  
**DUNDEE ROAD LIGHTING IMPROVEMENT**  
**LIGHTING PLAN**  
 DUNDEE ROAD  
 STA. 35+25 TO STA. 45+25

NO.	REVISIONS



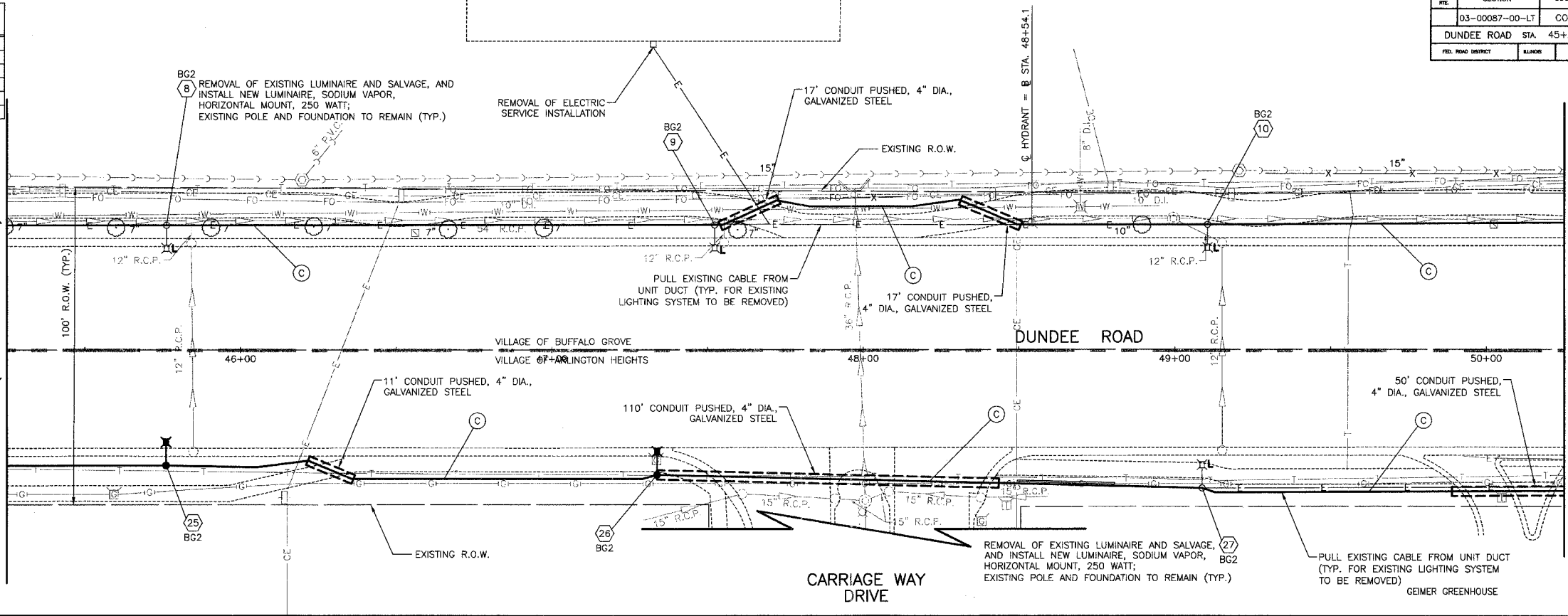
DESIGNED BY: S.J.C.  
 CHECKED BY: D.N.M.  
 DATE: 07/10/2007

F.A. NO.	SECTION	COUNTY	TOTAL SHEETS	SHEET NO.
03-00087-00-LT		COOK	20	8
DUNDEE ROAD STA. 45+25 TO STA. 55+25				
FED. ROAD DISTRICT	ILLINOIS	FED. AID PROJECT		

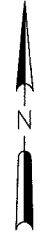
POLE NUMBER	CONTROLLER NO.	STATION	OFFSET	LIGHT CIRCUIT	FOUNDATION TYPE
8	BG2	45+76	3' B.C.	B	EX
9	BG2	47+51	3' B.C.	A	EX
10	BG2	49+11	3' B.C.	B	EX
25	BG2	45+76	3' B.C.	D	24
26	BG2	47+34	3' B.C.	C	24
27	BG2	49+09	EX	D	EX

**FOUNDATION TYPE**  
 24 = LIGHT POLE FOUNDATION, 24" DIAMETER  
 OS = LIGHT POLE FOUNDATION, 24" DIAMETER, OFFSET  
 SP = LIGHT POLE FOUNDATION (SPECIAL)  
 EX = EXISTING FOUNDATION

MATCH LINE STA. 45+25  
(SEE SHEET NO. 7)

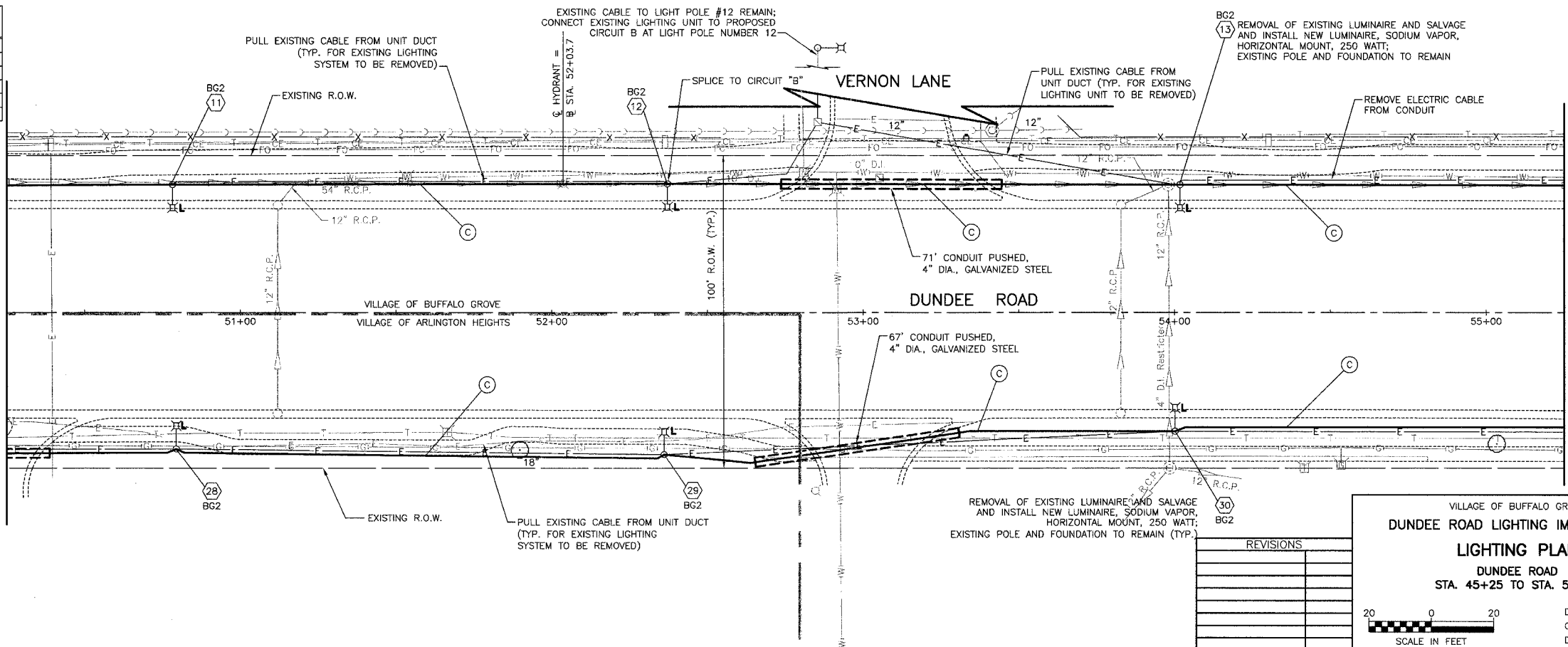


MATCH LINE STA. 50+25  
(SEE SHEET NO. 8)



POLE NUMBER	CONTROLLER NO.	STATION	OFFSET	LIGHT CIRCUIT	FOUNDATION TYPE
11	BG2	50+78	EX	A	EX
12	BG2	52+37	EX	B	EX
13	BG2	54+02	EX	A	EX
28	BG2	50+79	EX	C	EX
29	BG2	52+36	EX	D	EX
30	BG2	54+00	EX	C	EX

MATCH LINE STA. 50+25

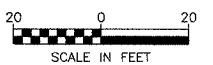


MATCH LINE STA. 55+25  
(SEE SHEET NO. 8)

- (A) UNIT DUCT, WITH 4-1/2" NO. 6 AND 1-1/2" NO. 6 GROUND, 600V (EPR-TYPE RHW), 2" DIA., POLYETHYLENE
- (B) UNIT DUCT, WITH 2-1/2" NO. 6 AND 1-1/2" NO. 6 GROUND, 600V (EPR-TYPE RHW), 2" DIA., POLYETHYLENE
- (C) UNIT DUCT, WITH 4-1/2" NO. 4 AND 1-1/2" NO. 4 GROUND, 600V (EPR-TYPE RHW), 2" DIA., POLYETHYLENE
- (D) UNIT DUCT, WITH 2-1/2" NO. 4 AND 1-1/2" NO. 4 GROUND, 600V (EPR-TYPE RHW), 2" DIA., POLYETHYLENE

VILLAGE OF BUFFALO GROVE  
**DUNDEE ROAD LIGHTING IMPROVEMENT**  
**LIGHTING PLAN**  
 DUNDEE ROAD  
 STA. 45+25 TO STA. 55+25

NO.	REVISIONS



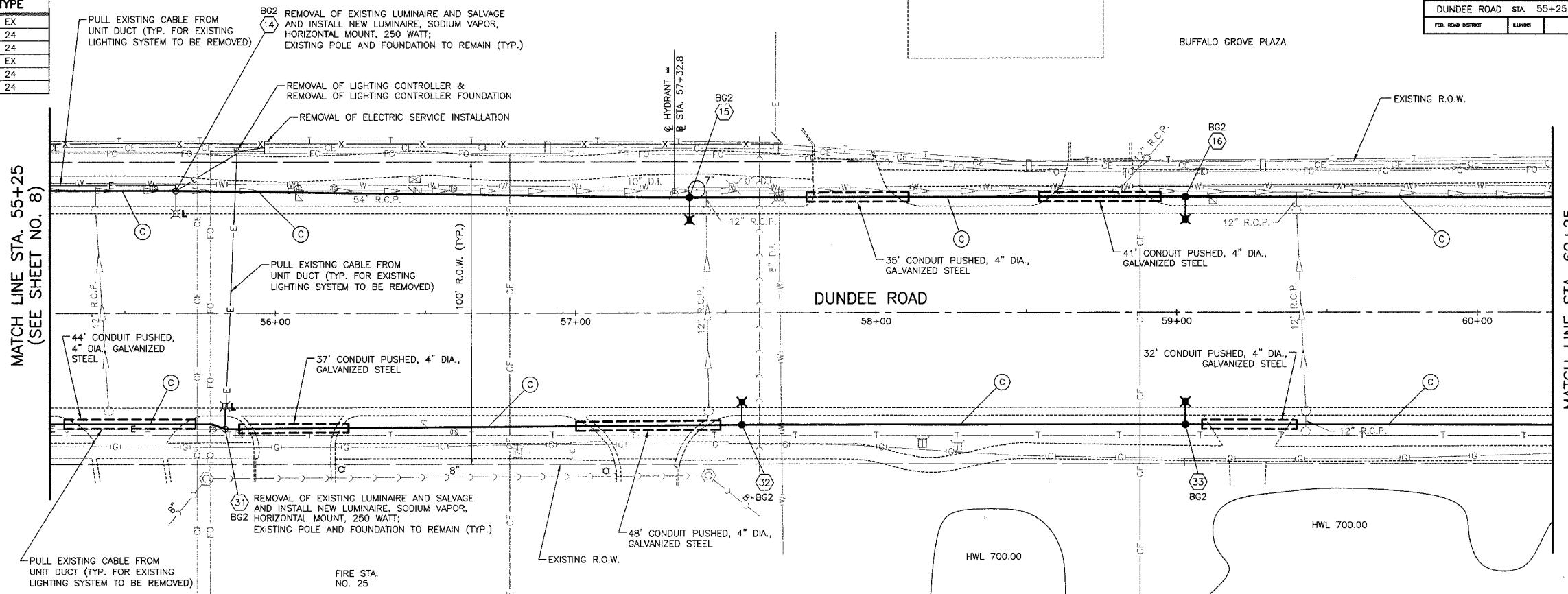
DESIGNED BY: S.J.C.  
 CHECKED BY: D.N.M.  
 DATE: 07/10/2007



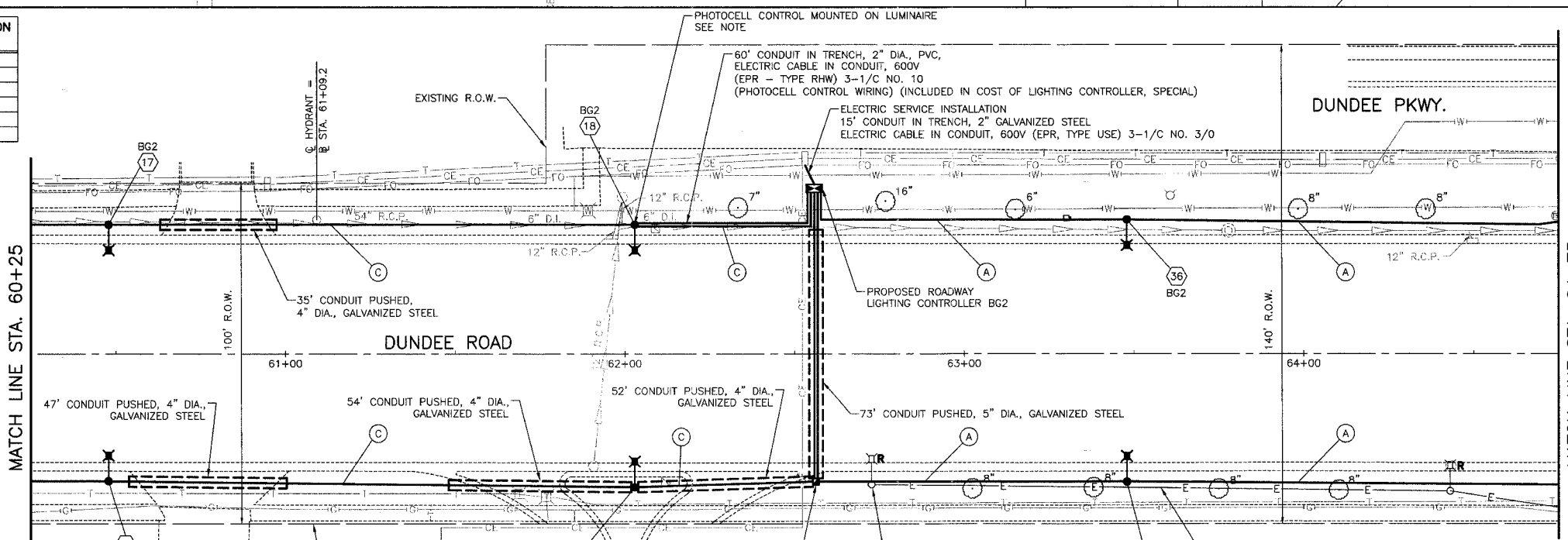
T.A. NO.	SECTION	COUNTY	TOTAL SHEETS	SHEET NO.
03-0087-00-LT	COOK	COOK	20	9
DUNDEE ROAD STA. 55+25 TO STA. 65+25				
FED. HIGH DISTRICT	ILLINOIS	FED. AID PROJECT		

POLE NUMBER	CONTROLLER NO.	STATION	OFFSET	LIGHT CIRCUIT	FOUNDATION TYPE
14	BG2	55+67	EXISTING	B	EX
15	BG2	57+38	3' B.C.	A	24
16	BG2	59+03	3' B.C.	B	24
31	BG2	55+83	EXISTING	D	EX
32	BG2	57+55	3' B.C.	C	24
33	BG2	59+03	3' B.C.	D	24

**FOUNDATION TYPE**  
 24 = LIGHT POLE FOUNDATION, 24" DIAMETER  
 OS = LIGHT POLE FOUNDATION, 24" DIAMETER, OFFSET  
 SP = LIGHT POLE FOUNDATION (SPECIAL)  
 EX = EXISTING FOUNDATION



POLE NUMBER	CONTROLLER NO.	STATION	OFFSET	LIGHT CIRCUIT	FOUNDATION TYPE
17	BG2	60+48	3' B.C.	A	24
18	BG2	62+03	3' B.C.	B	24
36	BG2	63+48	3' B.C.	E	24
34	BG2	60+48	3' B.C.	C	24
35	BG2	62+03	3' B.C.	D	24
49	BG2	63+48	3' B.C.	G	24



- (A) UNIT DUCT, WITH 4-1/C NO. 6 AND 1-1/C NO. 6 GROUND, 600V (EPR-TYPE RHW), 2" DIA., POLYETHYLENE
- (B) UNIT DUCT, WITH 2-1/C NO. 6 AND 1-1/C NO. 6 GROUND, 600V (EPR-TYPE RHW), 2" DIA., POLYETHYLENE
- (C) UNIT DUCT, WITH 4-1/C NO. 4 AND 1-1/C NO. 4 GROUND, 600V (EPR-TYPE RHW), 2" DIA., POLYETHYLENE
- (D) UNIT DUCT, WITH 2-1/C NO. 4 AND 1-1/C NO. 4 GROUND, 600V (EPR-TYPE RHW), 2" DIA., POLYETHYLENE

NOTE: ALL PHOTOCELL MATERIALS AND INSTALLATION ARE INCIDENTAL TO LIGHTING CONTROLLER

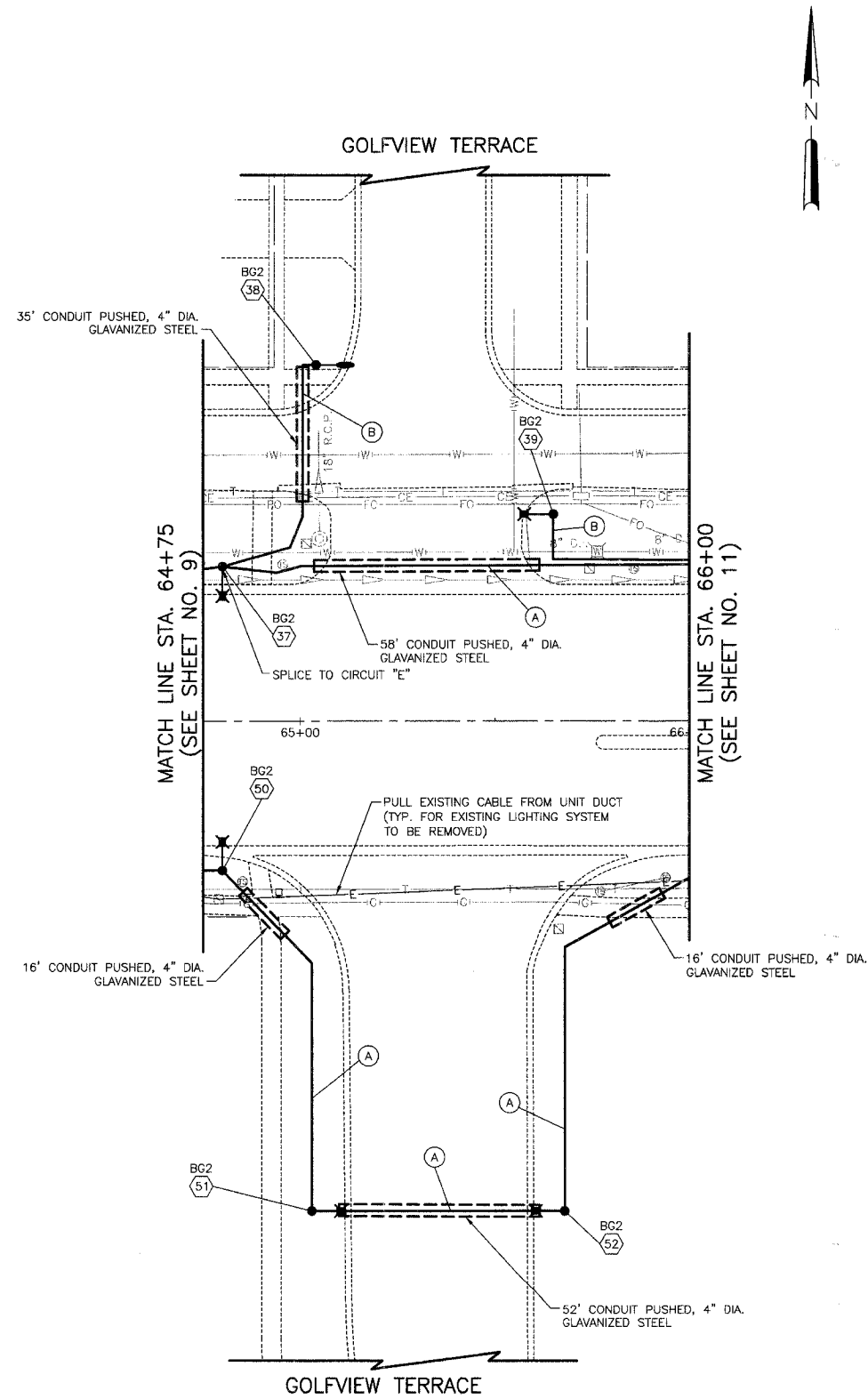
VILLAGE OF BUFFALO GROVE  
**DUNDEE ROAD LIGHTING IMPROVEMENT**  
**LIGHTING PLAN**  
 DUNDEE ROAD  
 STA. 55+25 TO STA. 65+25

NO.	REVISIONS

DESIGNED BY: S.J.C.  
 CHECKED BY: D.N.M.  
 DATE: 07/10/2007

F.A. REL.	SECTION	COUNTY	TOTAL SHEETS	SHEET NO.
	03-00087-00-LT	COOK	20	10
DUNDEE ROAD STA. 64+75		TO STA. 66+00		
FED. ROAD DISTRICT	ILLINOIS	FED. AID PROJECT		

POLE NUMBER	CONTROLLER NO.	STATION	OFFSET	LIGHT CIRCUIT	FOUNDATION TYPE
37	BG2	64+80	3' B.C.	F	24
38	BG2	65+04	3' B.C.	E	24
39	BG2	65+65	3' B.C.	F	24
50	BG2	64+80	3' B.C.	H	24
51	BG2	65+03	3' B.C.	G	24
52	BG2	65+68	3' B.C.	H	24



REVISIONS

VILLAGE OF BUFFALO GROVE  
**DUNDEE ROAD LIGHTING IMPROVEMENT**  
**LIGHTING PLAN**  
 DUNDEE ROAD  
 STA. 64+75 TO STA. 66+00

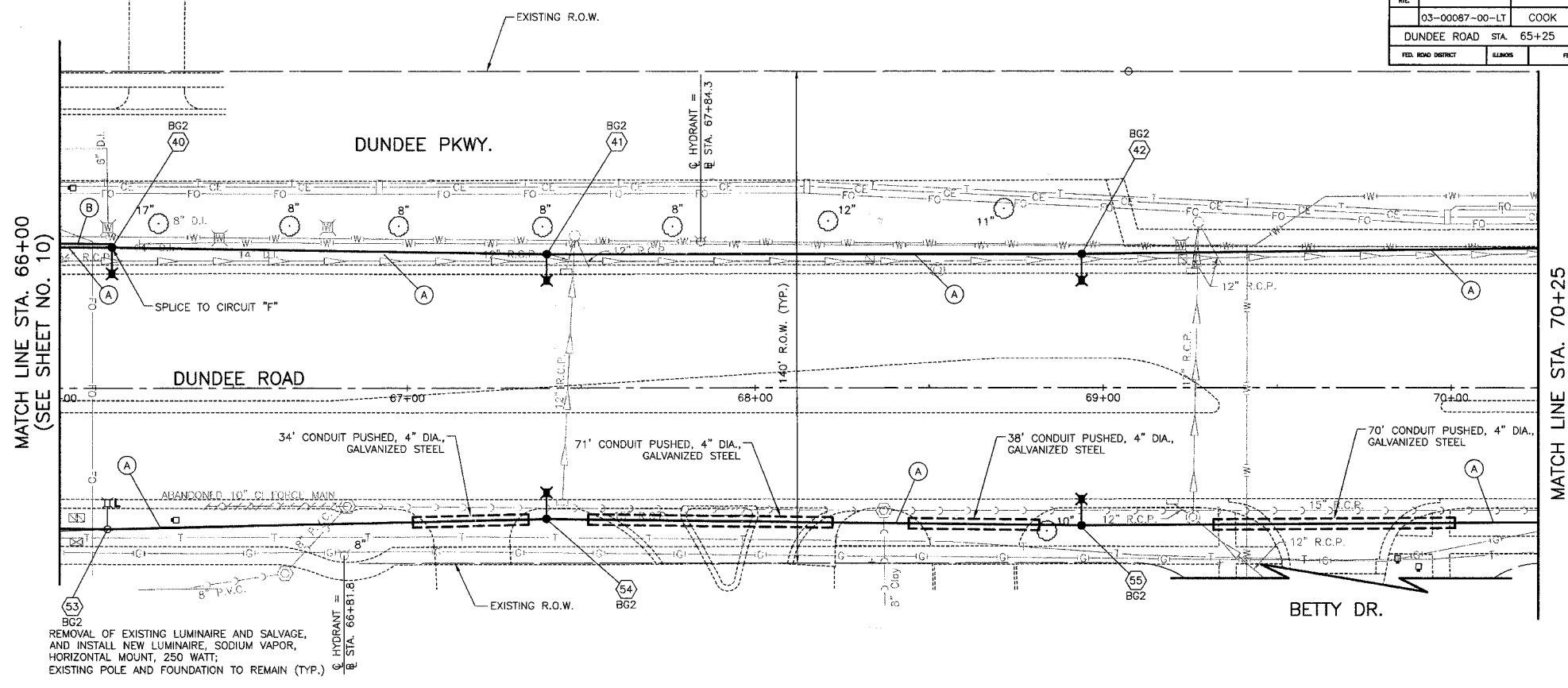
DESIGNED BY: S.J.C.  
 CHECKED BY: D.N.M.  
 DATE: 07/10/2007

SCALE IN FEET

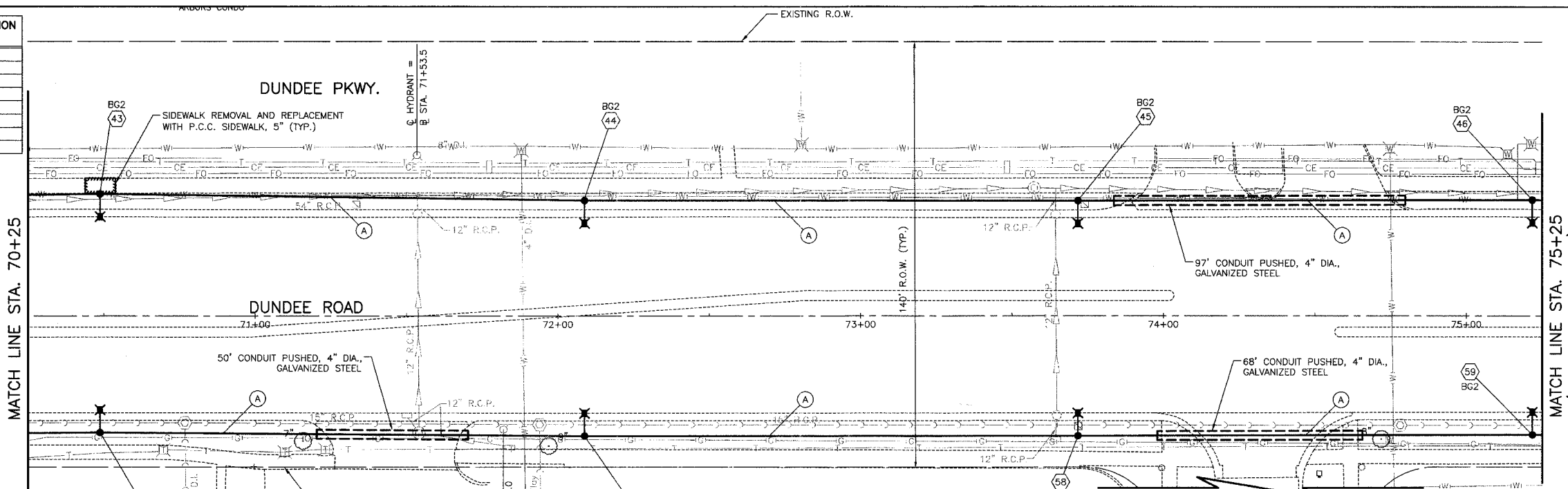
POLE NUMBER	CONTROLLER NO.	STATION	OFFSET	LIGHT CIRCUIT	FOUNDATION TYPE
40	BG2	66+15	3' B.C.	E	SP
41	BG2	67+40	3' B.C.	F	SP
42	BG2	68+94	3' B.C.	E	OS
53	BG2	66+15	3' B.C.	G	EX
54	BG2	67+40	3' B.C.	H	24
55	BG2	68+94	3' B.C.	G	24

F.A. REC.	SECTION	COUNTY	TOTAL SHEETS	SHEET NO.
	03-00087-00-LT	COOK	20	11
DUNDEE ROAD STA. 65+25 TO STA. 75+25				
FED. ROAD DISTRICT	ALLOWS	FED. AID PROJECT		

**FOUNDATION TYPE**  
 24 = LIGHT POLE FOUNDATION, 24" DIAMETER  
 OS = LIGHT POLE FOUNDATION, 24" DIAMETER, OFFSET  
 SP = LIGHT POLE FOUNDATION (SPECIAL)  
 EX = EXISTING FOUNDATION



POLE NUMBER	CONTROLLER NO.	STATION	OFFSET	LIGHT CIRCUIT	FOUNDATION TYPE
43	BG2	70+49	3' B.C.	F	OS
44	BG2	72+09	3' B.C.	E	SP
45	BG2	73+72	3' B.C.	F	OS
46	BG2	75+22	3' B.C.	E	SP
56	BG2	70+49	3' B.C.	H	24
57	BG2	72+09	3' B.C.	G	24
58	BG2	73+72	3' B.C.	H	24
59	BG2	75+22	3' B.C.	G	24



- (A) UNIT DUCT, WITH 4-1/2 NO. 6 AND 1-1/2 NO. 6 GROUND, 600V (EPR-TYPE RHW), 2" DIA., POLYETHYLENE
- (B) UNIT DUCT, WITH 2-1/2 NO. 6 AND 1-1/2 NO. 6 GROUND, 600V (EPR-TYPE RHW), 2" DIA., POLYETHYLENE
- (C) UNIT DUCT, WITH 4-1/2 NO. 4 AND 1-1/2 NO. 4 GROUND, 600V (EPR-TYPE RHW), 2" DIA., POLYETHYLENE
- (D) UNIT DUCT, WITH 2-1/2 NO. 4 AND 1-1/2 NO. 4 GROUND, 600V (EPR-TYPE RHW), 2" DIA., POLYETHYLENE

REVISIONS

VILLAGE OF BUFFALO GROVE  
**DUNDEE ROAD LIGHTING IMPROVEMENT**  
**LIGHTING PLAN**  
 DUNDEE ROAD  
 STA. 66+00 TO STA. 75+25

DESIGNED BY: S.J.C.  
 CHECKED BY: D.N.M.  
 DATE: 07/10/2007

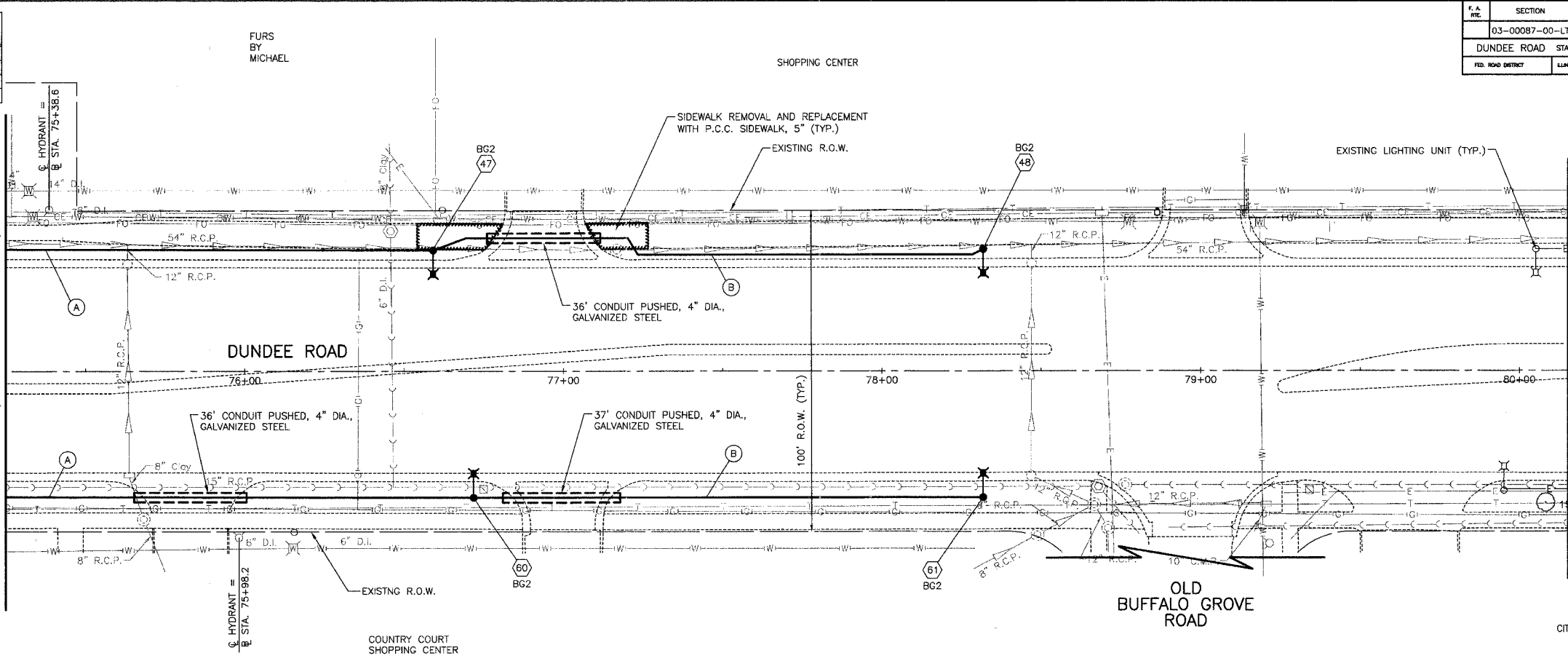
SCALE IN FEET

POLE NUMBER	CONTROLLER NO.	STATION	OFFSET	LIGHT CIRCUIT	FOUNDATION TYPE
47	BG2	76+59	3' B.C.	F	SP
48	BG2	78+32	3' B.C.	E	SP
60	BG2	76+72	5' B.C.	H	24
61	BG2	78+32	5' B.C.	G	24

T.A. RE.	SECTION	COUNTY	TOTAL SHEETS	SHEET NO.
	03-0087-00-LT	COOK	20	12
DUNDEE ROAD STA. 75+25 TO STA. 90+75				
FED. ROAD DISTRICT	ILLINOIS	FED. AID PROJECT		

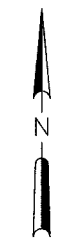
**FOUNDATION TYPE**  
 24 = LIGHT POLE FOUNDATION, 24" DIAMETER  
 OS = LIGHT POLE FOUNDATION, 24" DIAMETER, OFFSET  
 SP = LIGHT POLE FOUNDATION (SPECIAL)  
 EX = EXISTING FOUNDATION

MATCH LINE STA. 75+25  
(SEE SHEET NO. 11)

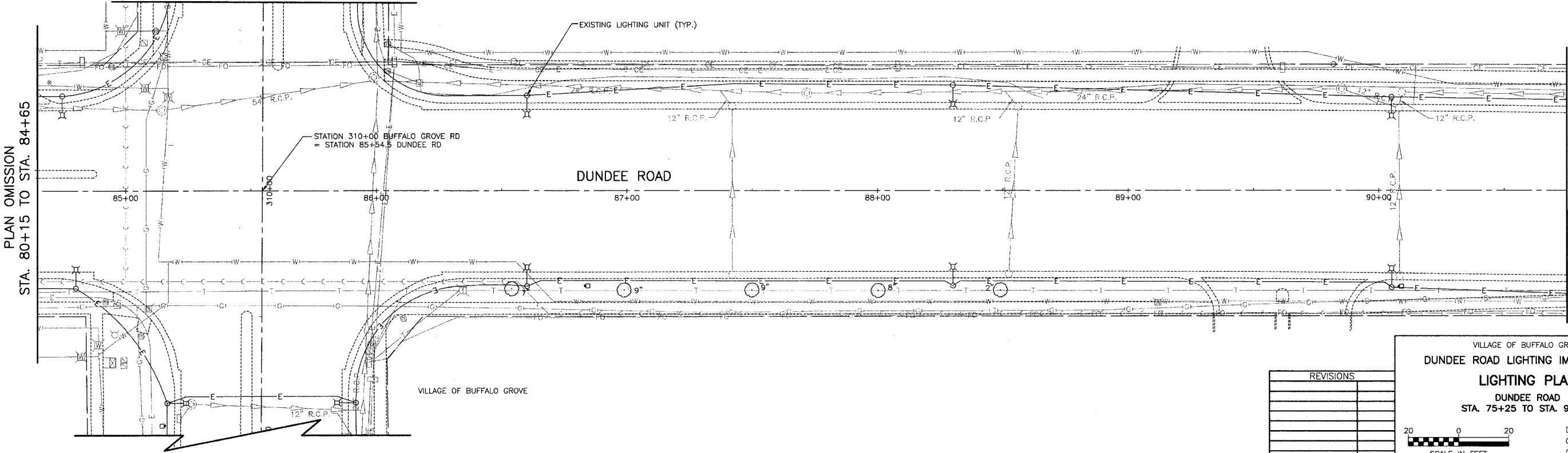


- (A) UNIT DUCT, WITH 4-1/C NO. 6 AND 1-1/C NO. 6 GROUND, 600V (EPR-TYPE RHW), 2" DIA., POLYETHYLENE
- (B) UNIT DUCT, WITH 2-1/C NO. 6 AND 1-1/C NO. 6 GROUND, 600V (EPR-TYPE RHW), 2" DIA., POLYETHYLENE
- (C) UNIT DUCT, WITH 4-1/C NO. 4 AND 1-1/C NO. 4 GROUND, 600V (EPR-TYPE RHW), 2" DIA., POLYETHYLENE
- (D) UNIT DUCT, WITH 2-1/C NO. 4 AND 1-1/C NO. 4 GROUND, 600V (EPR-TYPE RHW), 2" DIA., POLYETHYLENE

PLAN OMISSION  
 STA. 80+15 TO STA. 84+65



MATCH LINE STA. 310+75  
 BUFFALO GROVE ROAD  
 (SEE SHEET NO. 16)



PLAN OMISSION  
 STA. 80+15 TO STA. 84+65

MATCH LINE STA. 90+75  
 (SEE SHEET NO. 13)

REVISIONS

VILLAGE OF BUFFALO GROVE  
**DUNDEE ROAD LIGHTING IMPROVEMENT**  
**LIGHTING PLAN**  
 DUNDEE ROAD  
 STA. 75+25 TO STA. 90+75

DESIGNED BY: S.J.C.  
 CHECKED BY: D.N.M.  
 DATE: 07/10/2007

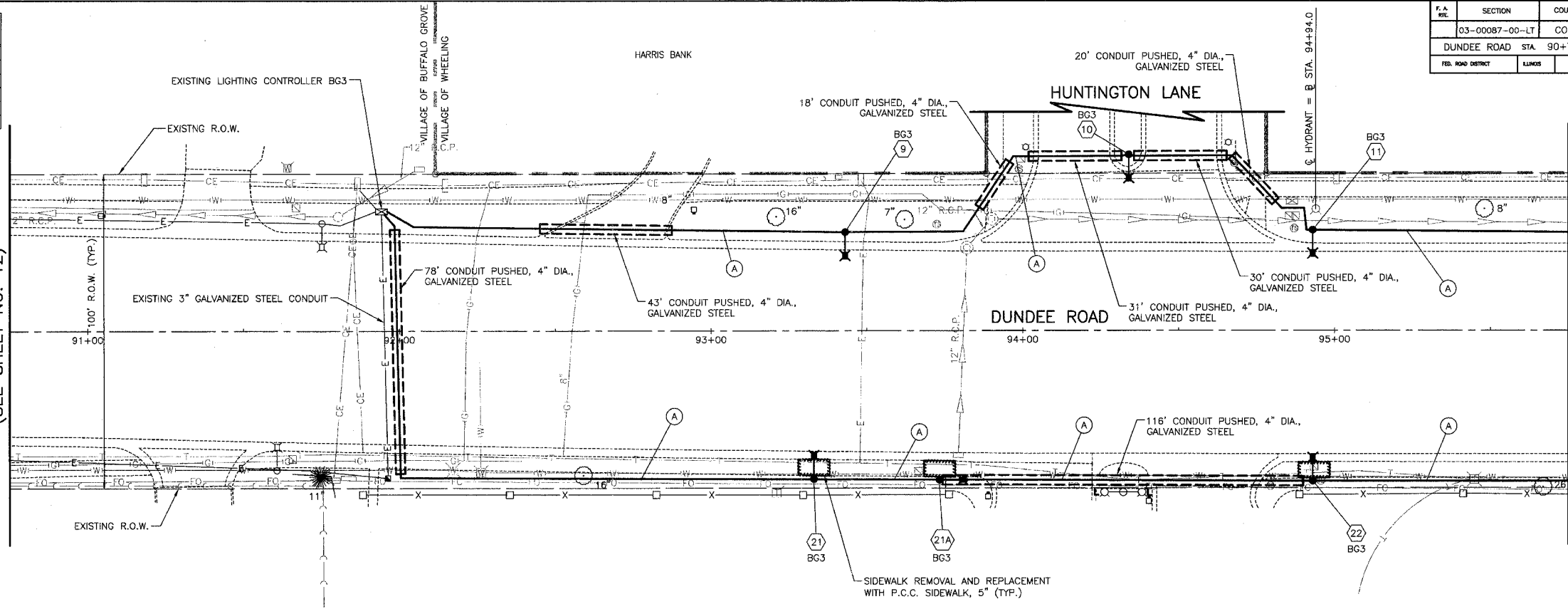
SCALE IN FEET  
 0 20

POLE NUMBER	CONTROLLER NO.	STATION	OFFSET	LIGHT CIRCUIT	FOUNDATION TYPE
9	BG3	93+43	3' B.C.	E	24
10	BG3	94+34	4' B.C.	F	24
11	BG3	94+93	4' B.C.	E	24
21	BG3	93+33	6' B.C.	G	24
21A	BG3	93+73	6' B.C.	H	24
22	BG3	94+93	6' B.C.	G	24

T.A. REL.	SECTION	COUNTY	TOTAL SHEETS	SHEET NO.
	03-00087-00-LT	COOK	20	13
DUNDEE ROAD STA. 90+75		TO STA. 100+75		
FED. ROAD DISTRICT	ILLINOIS		FED. AID PROJECT	

**FOUNDATION TYPE**  
 24 = LIGHT POLE FOUNDATION, 24" DIAMETER  
 OS = LIGHT POLE FOUNDATION, 24" DIAMETER, OFFSET  
 SP = LIGHT POLE FOUNDATION (SPECIAL)  
 EX = EXISTING FOUNDATION

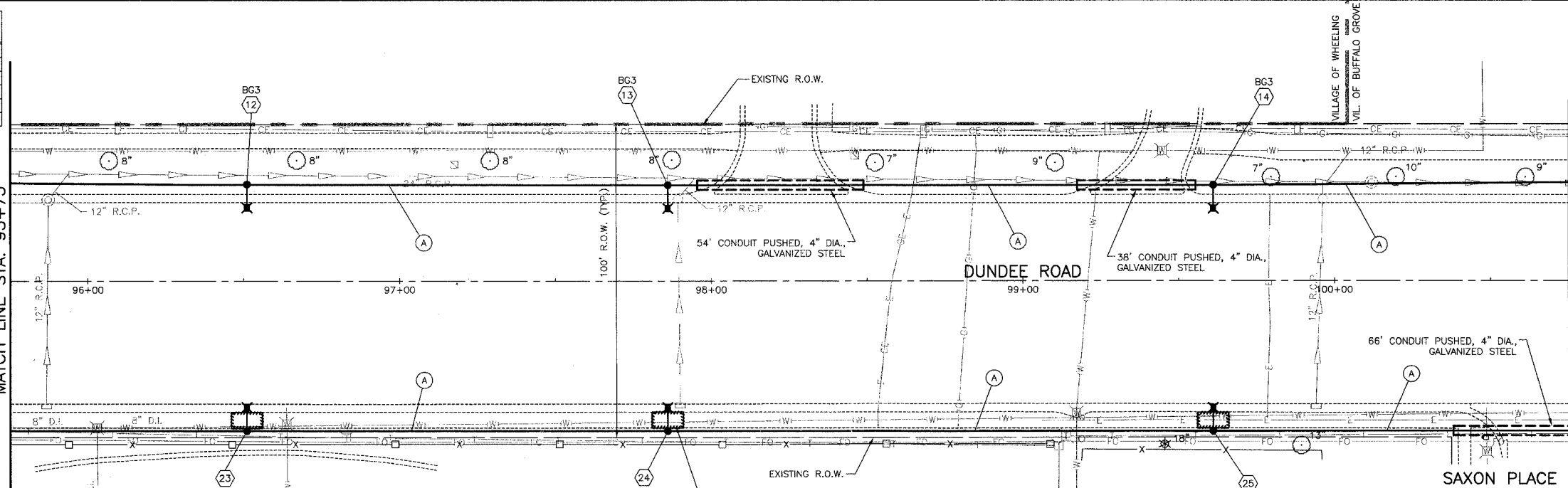
MATCH LINE STA. 90+75  
(SEE SHEET NO. 12)



MATCH LINE STA. 95+75  
(SEE SHEET NO. 14)

POLE NUMBER	CONTROLLER NO.	STATION	OFFSET	LIGHT CIRCUIT	FOUNDATION TYPE
12	BG3	96+51	3' B.C.	F	24
13	BG3	97+86	3' B.C.	E	OS
14	BG3	99+61	3' B.C.	F	OS
23	BG3	96+51	6' B.C.	H	24
24	BG3	97+86	6' B.C.	G	24
25	BG3	99+61	6' B.C.	H	24

MATCH LINE STA. 95+75  
(SEE SHEET NO. 12)



MATCH LINE STA. 100+75  
(SEE SHEET NO. 14)

- (A) UNIT DUCT, WITH 4-1/2" NO. 6 AND 1-1/2" NO. 6 GROUND, 600V (EPR-TYPE RHW), 2" DIA., POLYETHYLENE
- (B) UNIT DUCT, WITH 2-1/2" NO. 6 AND 1-1/2" NO. 6 GROUND, 600V (EPR-TYPE RHW), 2" DIA., POLYETHYLENE
- (C) UNIT DUCT, WITH 4-1/2" NO. 4 AND 1-1/2" NO. 4 GROUND, 600V (EPR-TYPE RHW), 2" DIA., POLYETHYLENE
- (D) UNIT DUCT, WITH 2-1/2" NO. 4 AND 1-1/2" NO. 4 GROUND, 600V (EPR-TYPE RHW), 2" DIA., POLYETHYLENE

NO.	REVISIONS

VILLAGE OF BUFFALO GROVE  
**DUNDEE ROAD LIGHTING IMPROVEMENT**  
**LIGHTING PLAN**  
 DUNDEE ROAD  
 STA. 90+75 TO STA. 100+75

DESIGNED BY: S.J.C.  
 CHECKED BY: D.N.M.  
 DATE: 07/10/2007

SCALE IN FEET

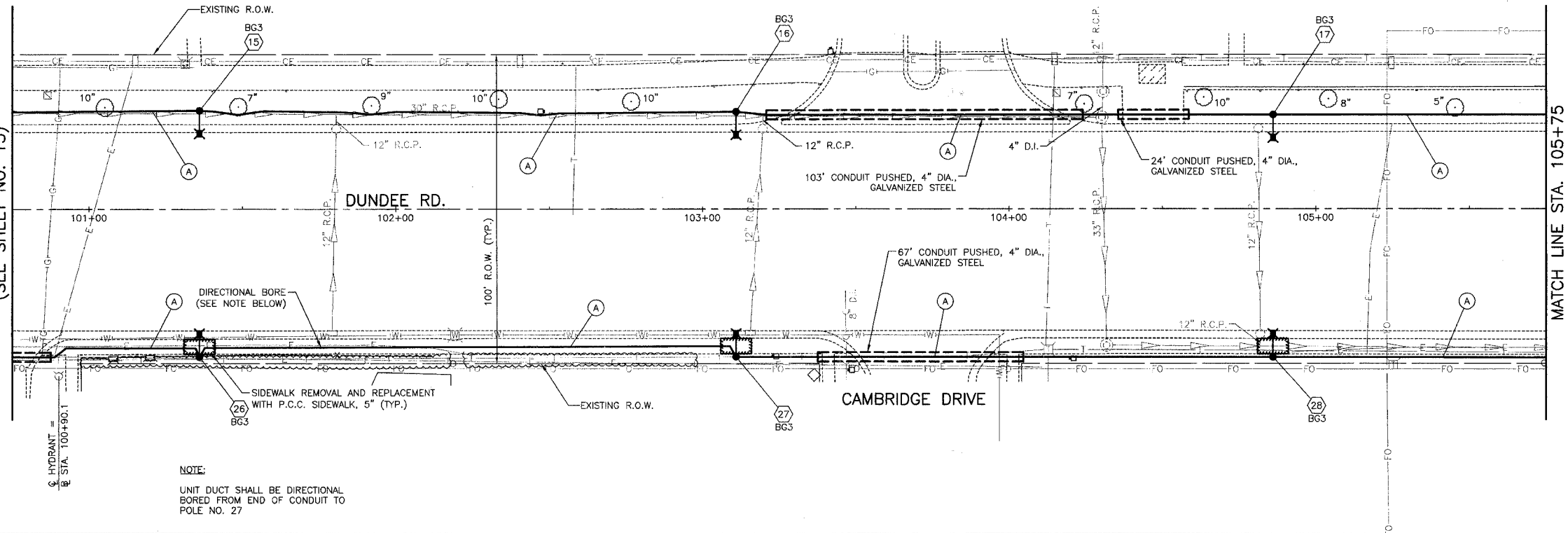
POLE NUMBER	CONTROLLER NO.	STATION	OFFSET	LIGHT CIRCUIT	FOUNDATION TYPE
15	BG3	101+65	3' B.C.	E	OS
16	BG3	103+15	3' B.C.	F	OS
17	BG3	104+80	3' B.C.	E	24
26	BG3	101+65	6' B.C.	G	24
27	BG3	103+15	6' B.C.	H	24
28	BG3	104+80	6' B.C.	G	24

F.A. NO.	SECTION	COUNTY	TOTAL SHEETS	SHEET NO.
03-00087-00-LT	COOK	20	14	
DUNDEE ROAD STA. 100+75 TO STA. 110+75				
FED. ROAD DISTRICT	ILLINOIS	FED. AID PROJECT		

GROVE TERRACE CONDO

**FOUNDATION TYPE**  
 24 = LIGHT POLE FOUNDATION, 24" DIAMETER  
 OS = LIGHT POLE FOUNDATION, 24" DIAMETER, OFFSET  
 SP = LIGHT POLE FOUNDATION (SPECIAL)  
 EX = EXISTING FOUNDATION

MATCH LINE STA. 100+75  
(SEE SHEET NO. 13)

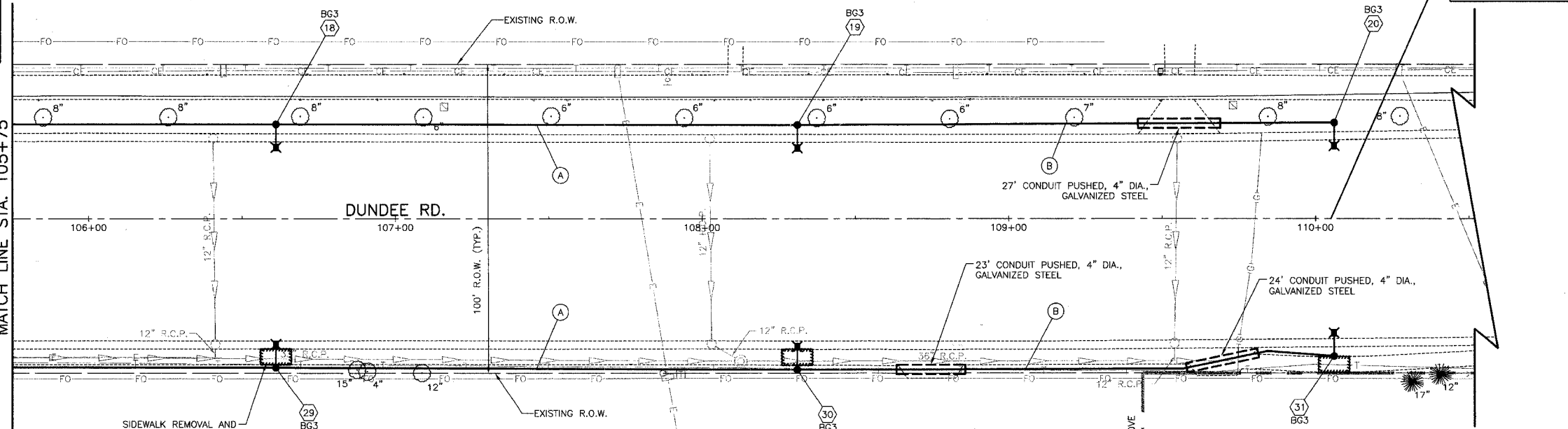


**NOTE:**  
 UNIT DUCT SHALL BE DIRECTIONAL BORED FROM END OF CONDUIT TO POLE NO. 27

POLE NUMBER	CONTROLLER NO.	STATION	OFFSET	LIGHT CIRCUIT	FOUNDATION TYPE
18	BG3	106+55	3' B.C.	F	24
19	BG3	108+30	3' B.C.	E	24
20	BG3	110+05	3' B.C.	F	24
29	BG3	106+55	6' B.C.	H	24
30	BG3	108+30	6.5' B.C.	G	24
31	BG3	110+05	6' B.C.	H	24

END IMPROVEMENT  
STA. 110+05

MATCH LINE STA. 105+75



- (A) UNIT DUCT, WITH 4-1/2" NO. 6 AND 1-1/2" NO. 6 GROUND, 600V (EPR-TYPE RHW), 2" DIA., POLYETHYLENE
- (B) UNIT DUCT, WITH 2-1/2" NO. 6 AND 1-1/2" NO. 6 GROUND, 600V (EPR-TYPE RHW), 2" DIA., POLYETHYLENE
- (C) UNIT DUCT, WITH 4-1/2" NO. 4 AND 1-1/2" NO. 4 GROUND, 600V (EPR-TYPE RHW), 2" DIA., POLYETHYLENE
- (D) UNIT DUCT, WITH 2-1/2" NO. 4 AND 1-1/2" NO. 4 GROUND, 600V (EPR-TYPE RHW), 2" DIA., POLYETHYLENE

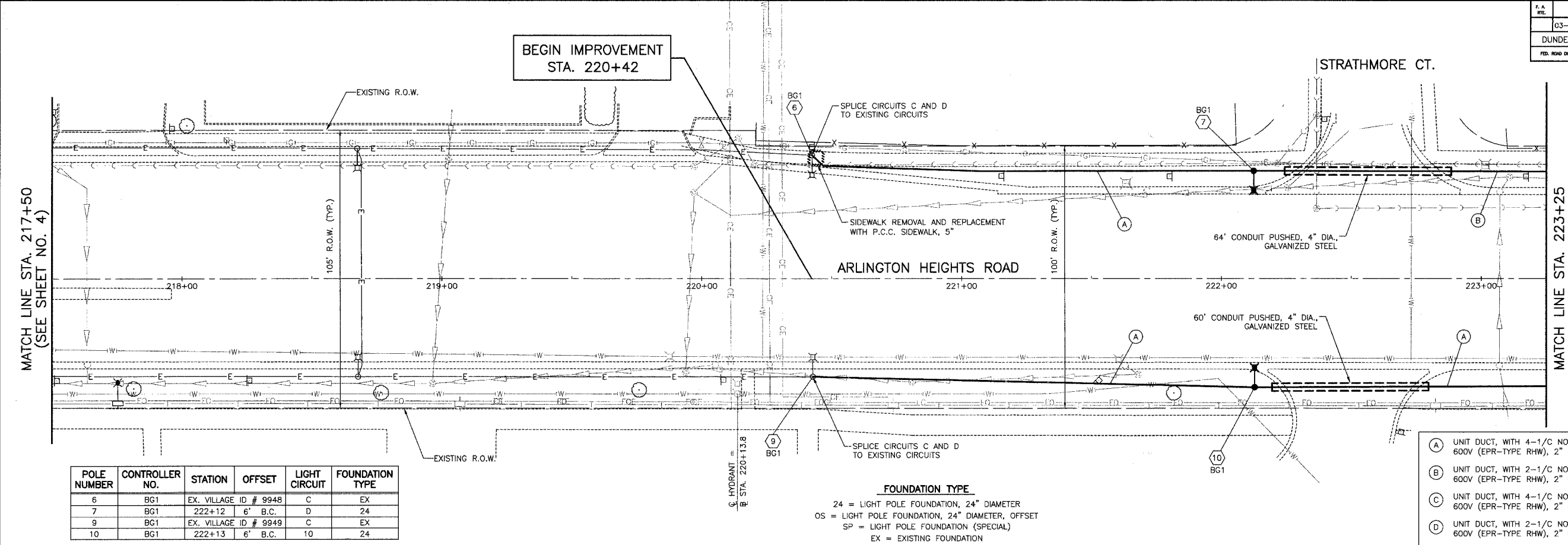
NO.	REVISIONS

VILLAGE OF BUFFALO GROVE  
**DUNDEE ROAD LIGHTING IMPROVEMENT**  
**LIGHTING PLAN**  
 DUNDEE ROAD  
 STA. 100+75 TO STA. 110+75

DESIGNED BY: S.J.C.  
 CHECKED BY: D.N.M.  
 DATE: 07/10/2007

SCALE IN FEET

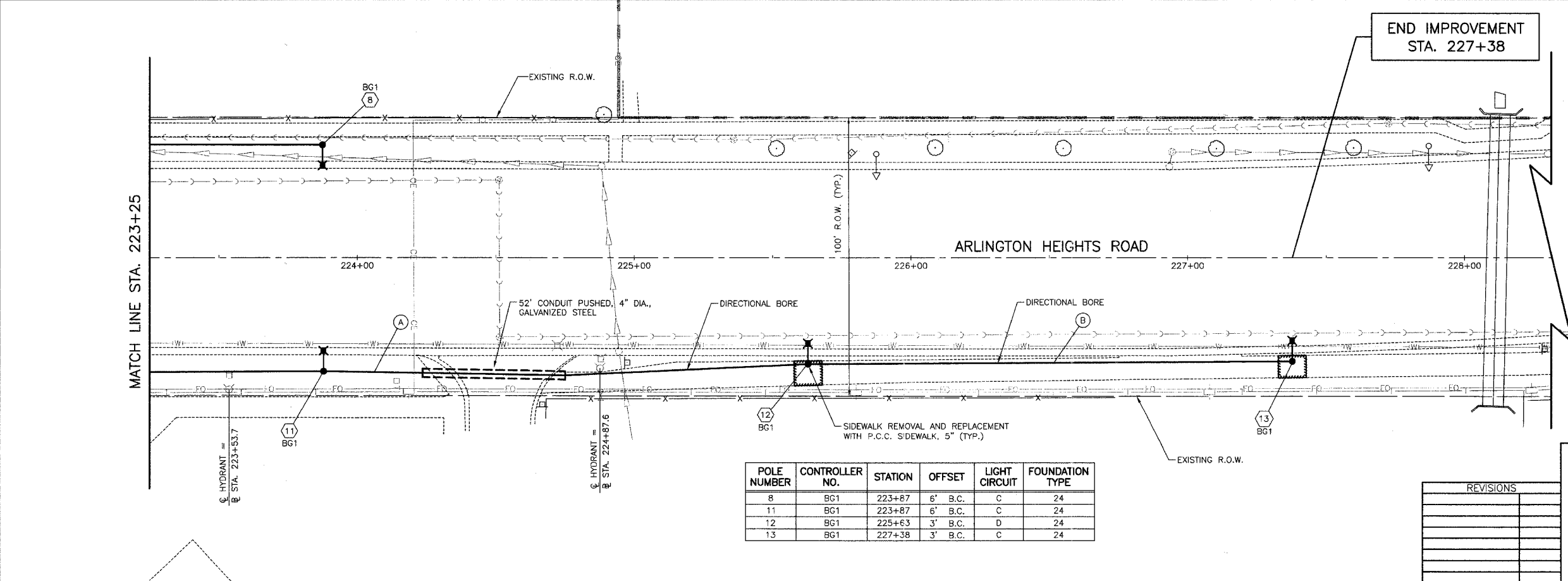
SECTION	COUNTY	TOTAL SHEETS	SHEET NO
03-00087-00-LT	COOK	20	15
DUNDEE ROAD STA. 217+50 TO STA. 228+50			
FED. ROAD DISTRICT	LANES	FED. AID PROJECT	



POLE NUMBER	CONTROLLER NO.	STATION	OFFSET	LIGHT CIRCUIT	FOUNDATION TYPE
6	BG1	EX. VILLAGE ID # 9948		C	EX
7	BG1	222+12	6' B.C.	D	24
9	BG1	EX. VILLAGE ID # 9949		C	EX
10	BG1	222+13	6' B.C.	10	24

**FOUNDATION TYPE**  
 24 = LIGHT POLE FOUNDATION, 24" DIAMETER  
 OS = LIGHT POLE FOUNDATION, 24" DIAMETER, OFFSET  
 SP = LIGHT POLE FOUNDATION (SPECIAL)  
 EX = EXISTING FOUNDATION

- (A) UNIT DUCT, WITH 4-1/C NO. 6 AND 1-1/C NO. 6 GROUND, 600V (EPR-TYPE RHW), 2" DIA., POLYETHYLENE
- (B) UNIT DUCT, WITH 2-1/C NO. 6 AND 1-1/C NO. 6 GROUND, 600V (EPR-TYPE RHW), 2" DIA., POLYETHYLENE
- (C) UNIT DUCT, WITH 4-1/C NO. 4 AND 1-1/C NO. 4 GROUND, 600V (EPR-TYPE RHW), 2" DIA., POLYETHYLENE
- (D) UNIT DUCT, WITH 2-1/C NO. 4 AND 1-1/C NO. 4 GROUND, 600V (EPR-TYPE RHW), 2" DIA., POLYETHYLENE



POLE NUMBER	CONTROLLER NO.	STATION	OFFSET	LIGHT CIRCUIT	FOUNDATION TYPE
8	BG1	223+87	6' B.C.	C	24
11	BG1	223+87	6' B.C.	C	24
12	BG1	225+63	3' B.C.	D	24
13	BG1	227+38	3' B.C.	C	24

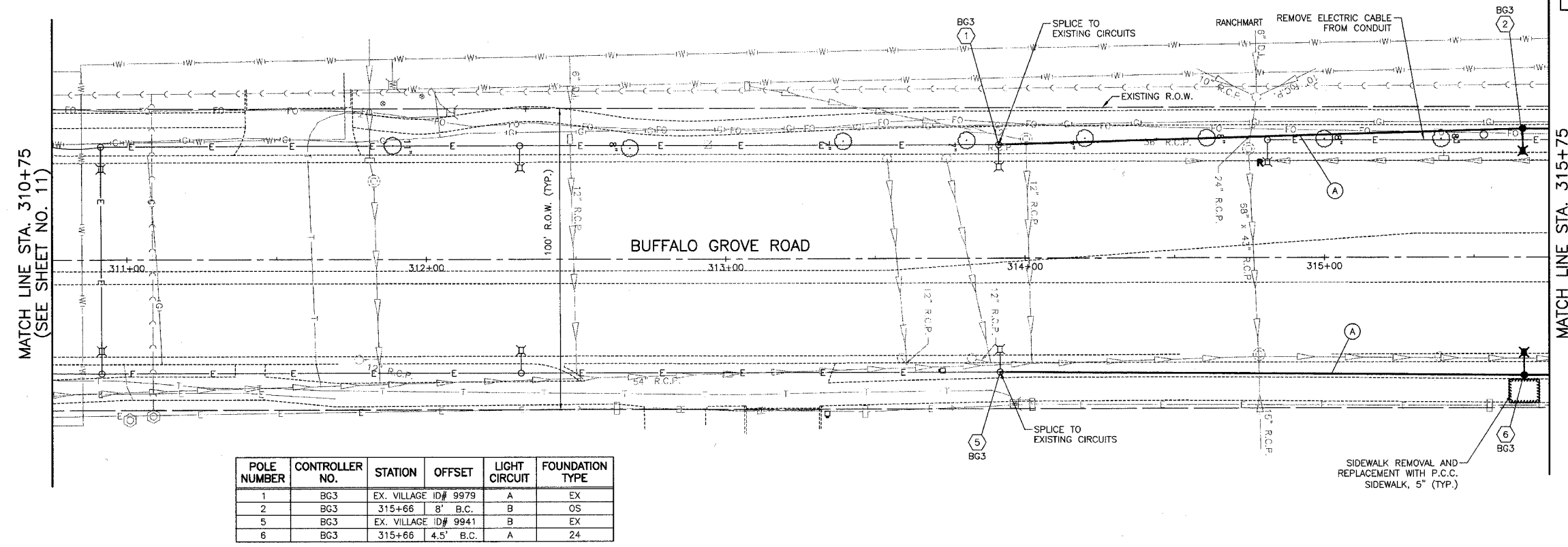
**NOTE:**  
 FOR ARLINGTON HEIGHTS ROAD AND BUFFALO GROVE ROAD AN ATTEMPT SHOULD BE MADE TO MAKE ALL LIGHTING UNITS A MINIMUM OF 6' BEHIND THE BACK OF CURB.

VILLAGE OF BUFFALO GROVE  
**DUNDEE ROAD LIGHTING IMPROVEMENT**  
**LIGHTING PLAN**  
 ARLINGTON HIEGHTS ROAD  
 STA. 217+50 TO STA. 227+38

REVISIONS

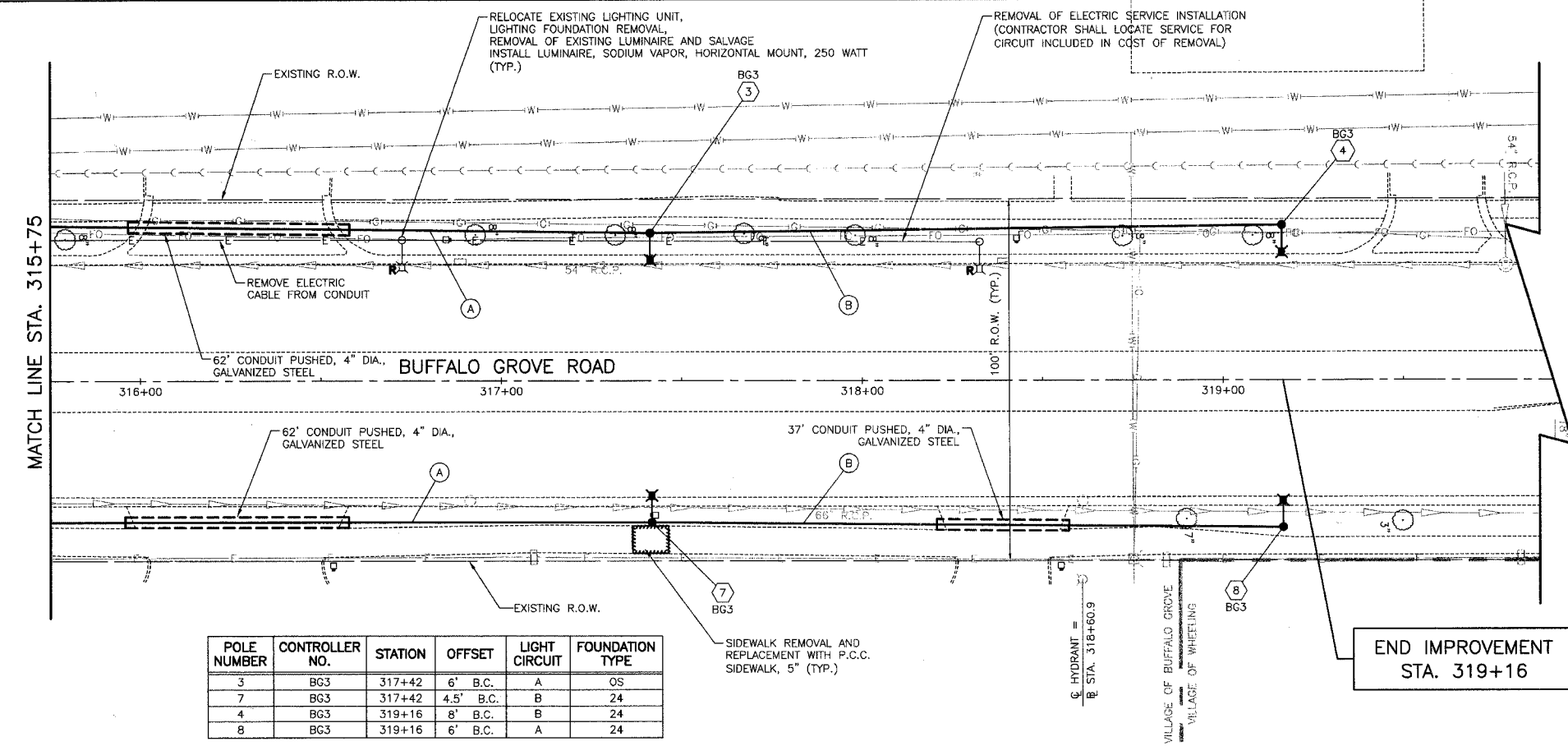
DESIGNED BY: S.J.C.  
 CHECKED BY: D.N.M.  
 DATE: 07/10/2007

F.A. NO.	SECTION	COUNTY	TOTAL SHEETS	SHEET NO.
	03-00087-00-LT	COOK	20	16
DUNDEE ROAD STA. 310+75 TO STA. 320+00				
FED. ROAD DISTRICT	ILLINOIS	FED. AID PROJECT		



POLE NUMBER	CONTROLLER NO.	STATION	OFFSET	LIGHT CIRCUIT	FOUNDATION TYPE
1	BG3	EX. VILLAGE ID# 9979		A	EX
2	BG3	315+66	8' B.C.	B	OS
5	BG3	EX. VILLAGE ID# 9941		B	EX
6	BG3	315+66	4.5' B.C.	A	24

NOTE:  
FOR ARLINGTON HEIGHTS ROAD AND BUFFALO GROVE ROAD AN ATTEMPT SHOULD BE MADE TO MAKE ALL LIGHTING UNITS A MINIMUM OF 6' BEHIND THE BACK OF CURB.



POLE NUMBER	CONTROLLER NO.	STATION	OFFSET	LIGHT CIRCUIT	FOUNDATION TYPE
3	BG3	317+42	6' B.C.	A	OS
7	BG3	317+42	4.5' B.C.	B	24
4	BG3	319+16	8' B.C.	B	24
8	BG3	319+16	6' B.C.	A	24

**FOUNDATION TYPE**  
 24 = LIGHT POLE FOUNDATION, 24" DIAMETER  
 OS = LIGHT POLE FOUNDATION, 24" DIAMETER, OFFSET  
 SP = LIGHT POLE FOUNDATION (SPECIAL)  
 EX = EXISTING FOUNDATION

- (A) UNIT DUCT, WITH 4-1/C NO. 6 AND 1-1/C NO. 6 GROUND, 600V (EPR-TYPE RHW), 2" DIA., POLYETHYLENE
- (B) UNIT DUCT, WITH 2-1/C NO. 6 AND 1-1/C NO. 6 GROUND, 600V (EPR-TYPE RHW), 2" DIA., POLYETHYLENE
- (C) UNIT DUCT, WITH 4-1/C NO. 4 AND 1-1/C NO. 4 GROUND, 600V (EPR-TYPE RHW), 2" DIA., POLYETHYLENE
- (D) UNIT DUCT, WITH 2-1/C NO. 4 AND 1-1/C NO. 4 GROUND, 600V (EPR-TYPE RHW), 2" DIA., POLYETHYLENE

END IMPROVEMENT  
STA. 319+16

REVISIONS

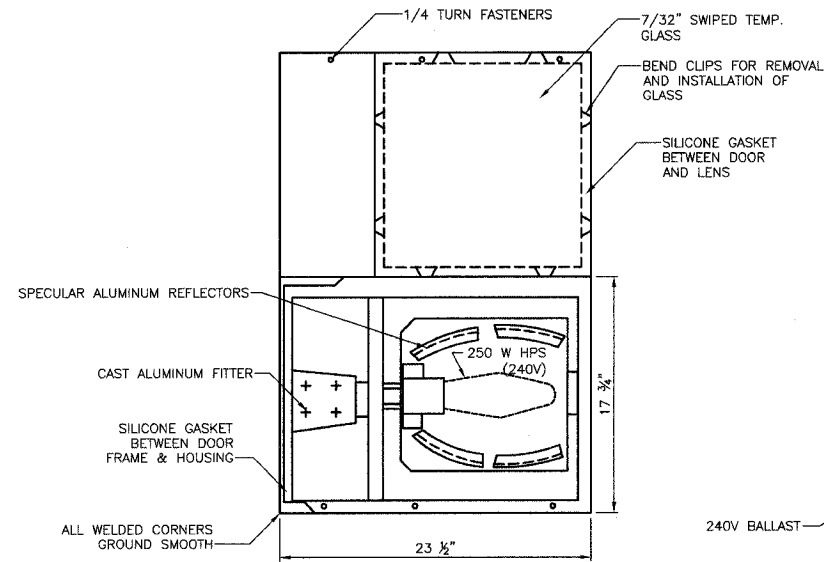
VILLAGE OF BUFFALO GROVE  
**DUNDEE ROAD LIGHTING IMPROVEMENT**  
**LIGHTING PLAN**  
 BUFFALO GROVE ROAD  
 STA. 310+75 TO STA. 319+16

DESIGNED BY: S.J.C.  
 CHECKED BY: D.N.M.  
 DATE: 07/10/2007

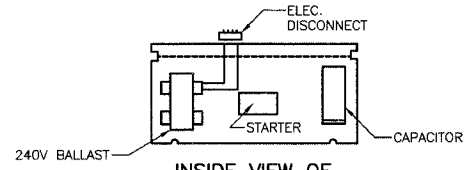
SCALE IN FEET



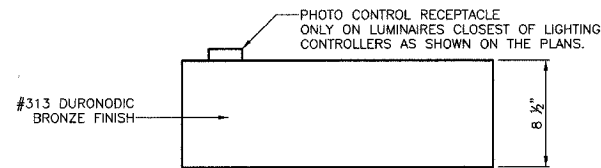
F.A. YR.	SECTION	COUNTY	TOTAL SHEETS	SHEET NO.
	03-00087-00-LT	COOK	20	17
DUNDEE ROAD		LIGHTING DETAILS		
FED. ROAD DISTRICT	ILLINOIS	FED. AID PROJECT		



**BOTTOM VIEW OF CABINET SHOWN WITH DOOR OPEN**

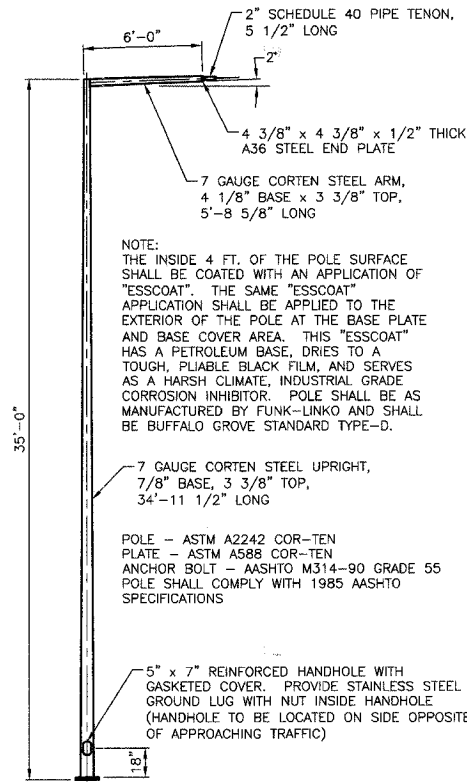


**INSIDE VIEW OF REMOVABLE BALLAST COMPARTMENT COVER**



**SIDE VIEW OF CABINET**

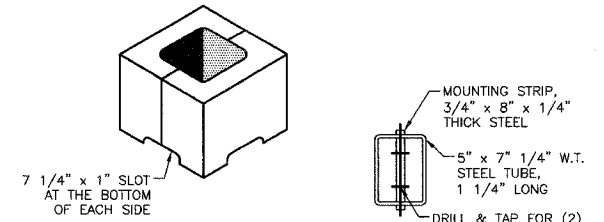
**LUMINAIRE, SODIUM VAPOR, RECTILINEAR TYPE, 250 WATT**



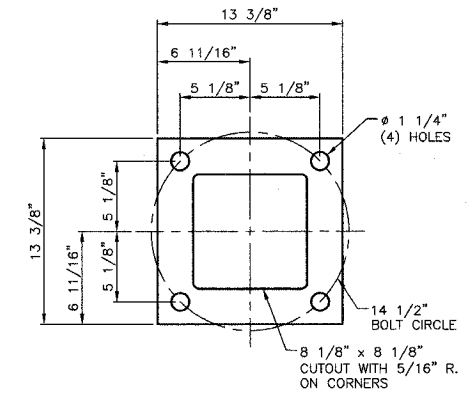
NOTE:  
THE INSIDE 4 FT. OF THE POLE SURFACE SHALL BE COATED WITH AN APPLICATION OF "ESSCOAT". THE SAME "ESSCOAT" APPLICATION SHALL BE APPLIED TO THE EXTERIOR OF THE POLE AT THE BASE PLATE AND BASE COVER AREA. THIS "ESSCOAT" HAS A PETROLEUM BASE, DRIES TO A TOUGH, PLIABLE BLACK FILM, AND SERVES AS A HARSH CLIMATE, INDUSTRIAL GRADE CORROSION INHIBITOR. POLE SHALL BE AS MANUFACTURED BY FUNK-LINKO AND SHALL BE BUFFALO GROVE STANDARD TYPE-D.

POLE - ASTM A2242 COR-TEN PLATE - ASTM A588 COR-TEN ANCHOR BOLT - AASHTO M314-90 GRADE 55 POLE SHALL COMPLY WITH 1985 AASHTO SPECIFICATIONS

5" x 7" REINFORCED HANDHOLE WITH GASKETED COVER. PROVIDE STAINLESS STEEL GROUND LUG WITH NUT INSIDE HANDHOLE (HANDHOLE TO BE LOCATED ON SIDE OPPOSITE OF APPROACHING TRAFFIC)



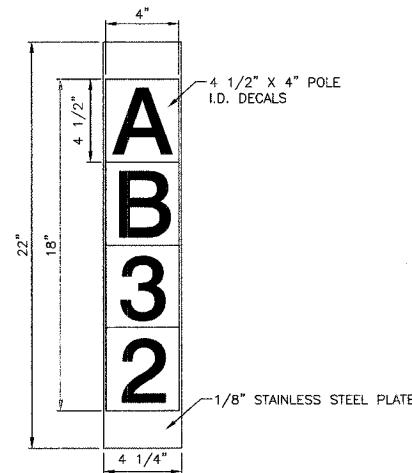
**BASE COVER**  
14 1/2" x 14 1/2" x 11" HIGH (MIN.)  
SEE NOTE #2  
MATERIAL: CORTEN STEEL



**BASEPLATE DETAIL**  
MATERIAL: 1 1/4" THICK ASTM A588 COR-TEN STEEL PLATE

**NOTES:**

1. INSTALL 3/4" x 10' GROUND ROD AT EACH LIGHT POLE. RUN 1-1/C, #2/0 GROUND FROM LIGHT POLE GROUND LUG TO GROUND ROD IN 1/2" CONDUIT. USE EXOTHERMIC WELDS (12" MIN. BURY).



**BUFFALO GROVE LIGHT POLE IDENTIFICATION DECAL DETAIL**

**NOTES:**

1. NUMBERS SHALL BE BLACK ON YELLOW BACKGROUNDS.
2. DECAL COLOR AND NUMBERS SHALL MEET BUFFALO GROVE AND 3M STANDARDS.
3. NUMBERS SHALL BE PLACED AT A HEIGHT OF 3 FEET (BOTTOM ID PLATE TO TOP OF POLE FOUNDATION)
4. STAINLESS STEEL PLATE SHALL BE BANDED TO POLE WITH 2 STAINLESS STEEL BANDS.

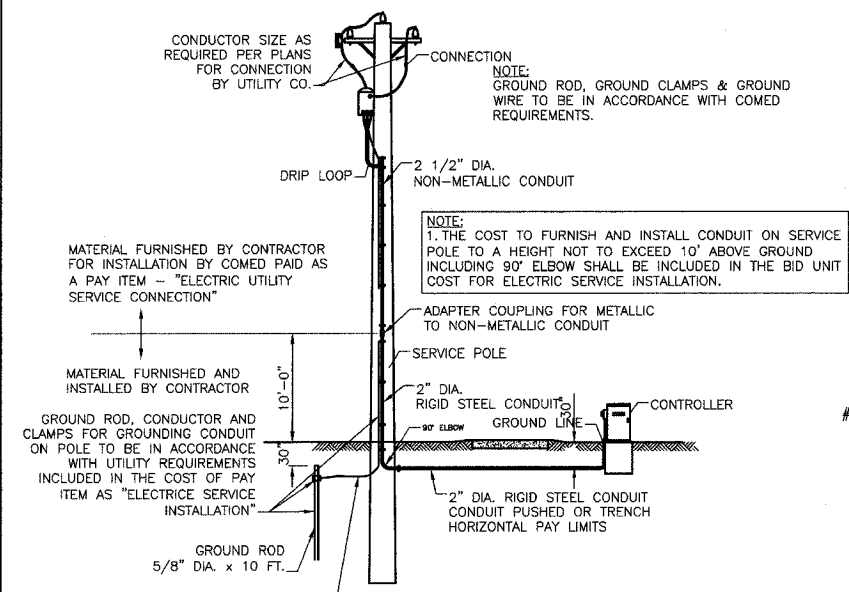
REVISIONS	DATE	BY

VILLAGE OF BUFFALO GROVE  
**DUNDEE ROAD LIGHTING IMPROVEMENT**  
**LIGHTING DETAILS**

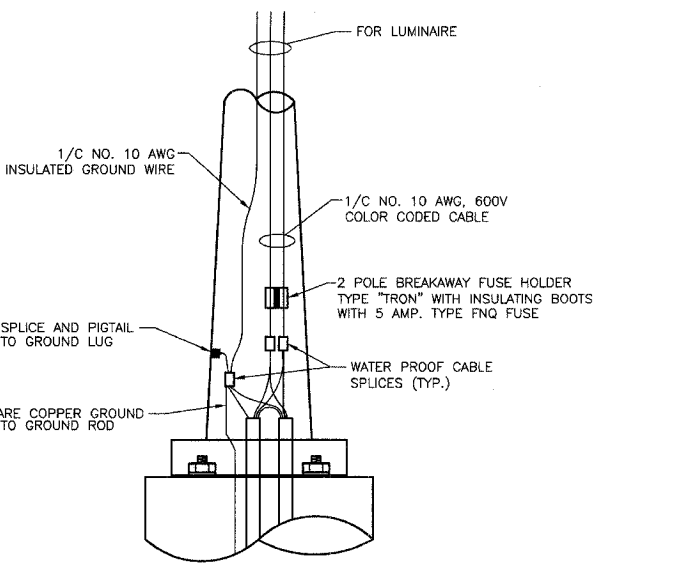
DESIGNED BY: S.J.C.  
CHECKED BY: D.N.M.  
DATE: 07/10/2007

NOT TO SCALE

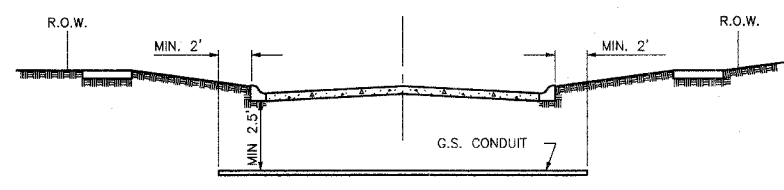
P.A. NO.	SECTION	COUNTY	TOTAL SHEETS	SHEET NO.
03-00087-00-LT		COOK	20	18
DUNDEE ROAD		LIGHTING DETAILS		
FEL. ROAD DISTRICT	ALIGNMENT	FEL. AD. PROJECT		



**PROPOSED SERVICE INSTALLATION POLE TOP MOUNTED TRANSFORMER**



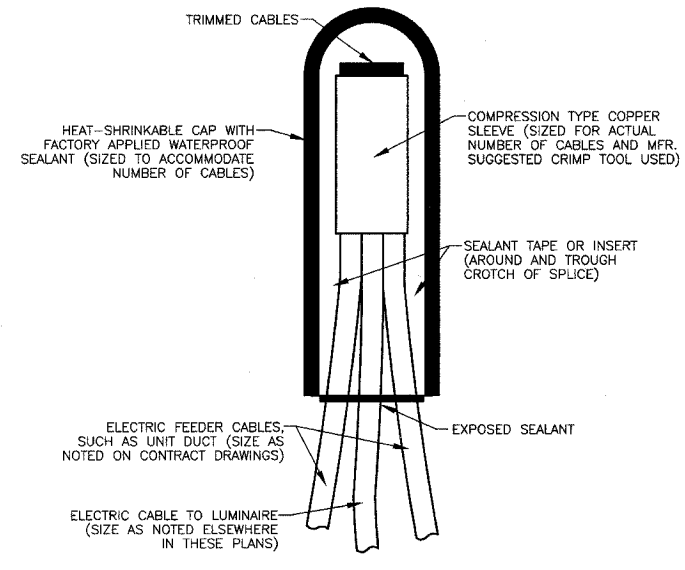
**ROADWAY POLE HANDHOLE WIRING DIAGRAM**



**STREET CROSSING**

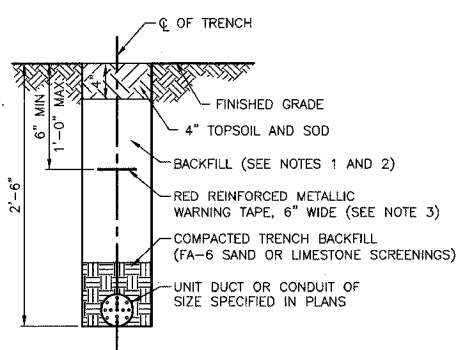
- ① CONDUIT SHALL BE HEAVY WALL RIGID G.S. CONDUIT.
- ② CONDUIT SHALL EXTEND A MINIMUM OF 2 FT. BEYOND BACK OF CURB.
- ③ CONDUIT SHALL BE A MINIMUM OF 2.5 FT. BELOW BOTTOM OF CURB.

**ELECTRICAL CONDUIT UNDER PAVEMENT**

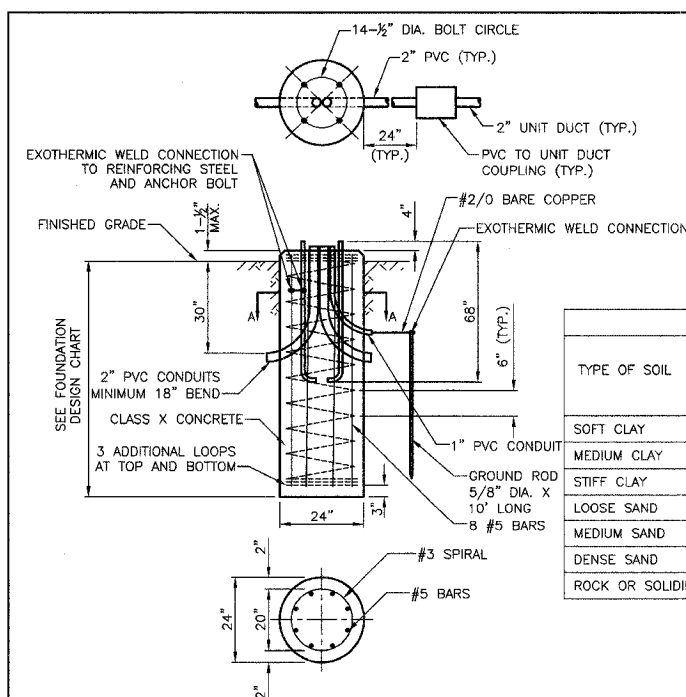


**SPlicing ELECTRIC CABLES BASIC MATERIALS AND METHODS**

- NOTES:
- IN GRASS COVERED AREAS, THE BACKFILL MAY BE COMPACTED EARTH.
  - TRENCHES WITHIN 2' OF PROPOSED OR EXISTING STREETS, DRIVEWAYS, OR SIDEWALKS WILL BE BACKFILLED WITH COMPACTED FA-6 SAND OR LIMESTONE SCREENINGS.
  - WARNING TAPE WILL BE RED WITH BLACK LETTERING TO READ "CAUTION - ELECTRIC LINE BURIED BELOW".
  - ALL GRASS COVERED AREAS DISTURBED DURING CONSTRUCTION WILL BE RESTORED WITH 4" OF TOPSOIL AND SOD.

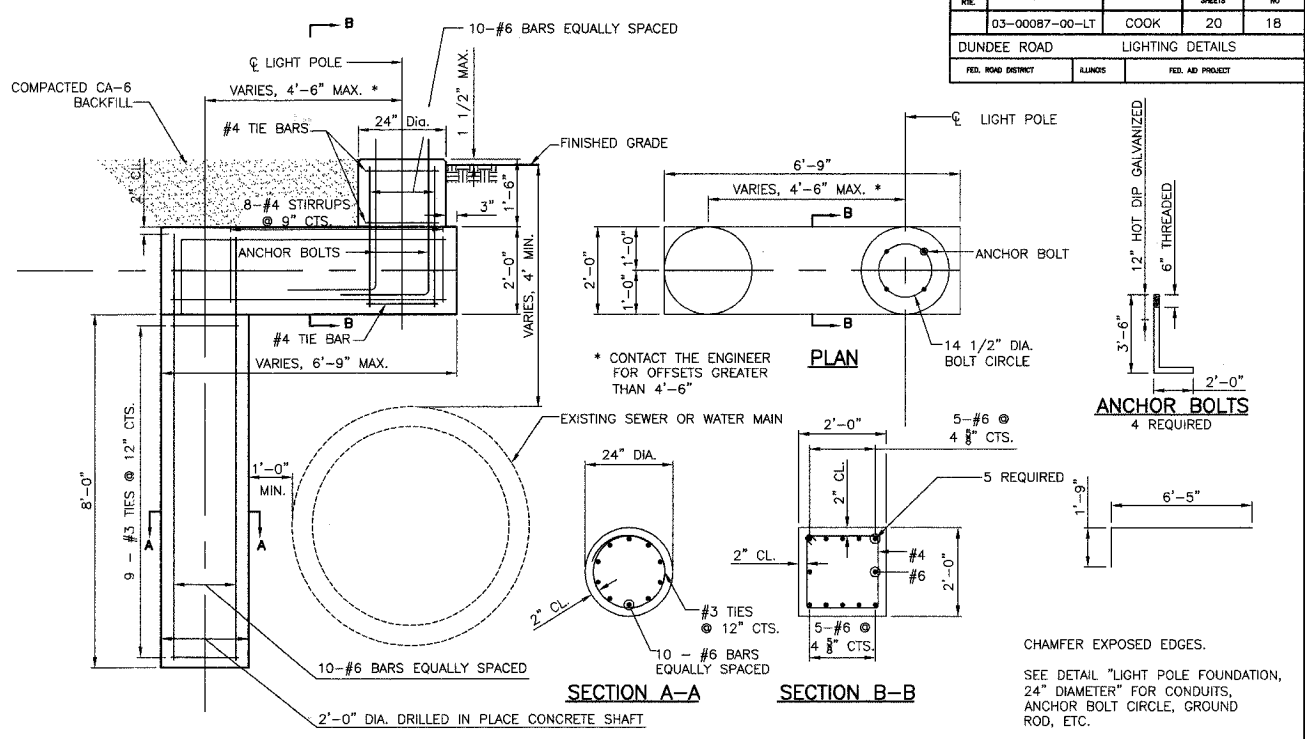


**TYPICAL TRENCH CROSS SECTION**

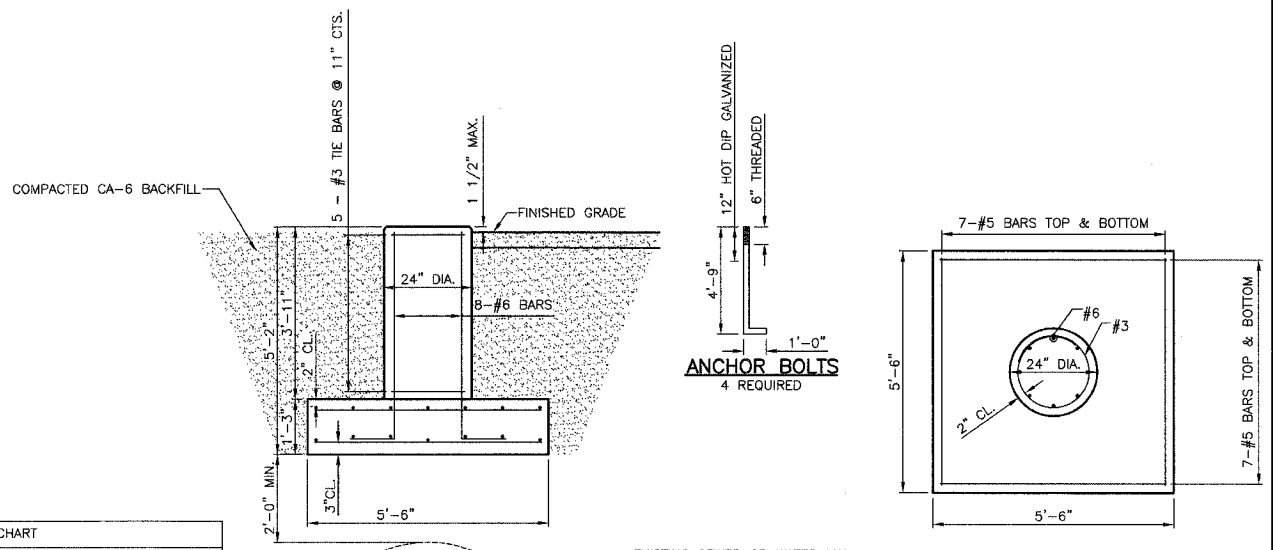


**SECTION A-A LIGHT POLE FOUNDATION, 24" DIAMETER**

TYPE OF SOIL	DESIGN DEPTH OF FOUNDATION	REINFORCEMENT IN FOUNDATION	
		VERT. BARS	SPIRAL
SOFT CLAY	11'-0"	8-#6 X 10'-6"	#4 X 116'
MEDIUM CLAY	9'-0"	8-#6 X 8'-6"	#4 X 97'
STIFF CLAY	7'-6"	8-#6 X 7'-0"	#4 X 82'
LOOSE SAND	9'-6"	8-#6 X 9'-0"	#4 X 102'
MEDIUM SAND	9'-3"	8-#6 X 8'-9"	#4 X 99'
DENSE SAND	8'-0"	8-#6 X 7'-6"	#4 X 87'
ROCK OR SOLIDIFIED SLAG	5'-0"	NONE	NONE

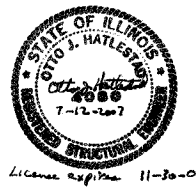


**LIGHT POLE FOUNDATION, 24" DIAMETER, OFFSET**



**LIGHT POLE FOUNDATION (SPECIAL)**

REVISIONS

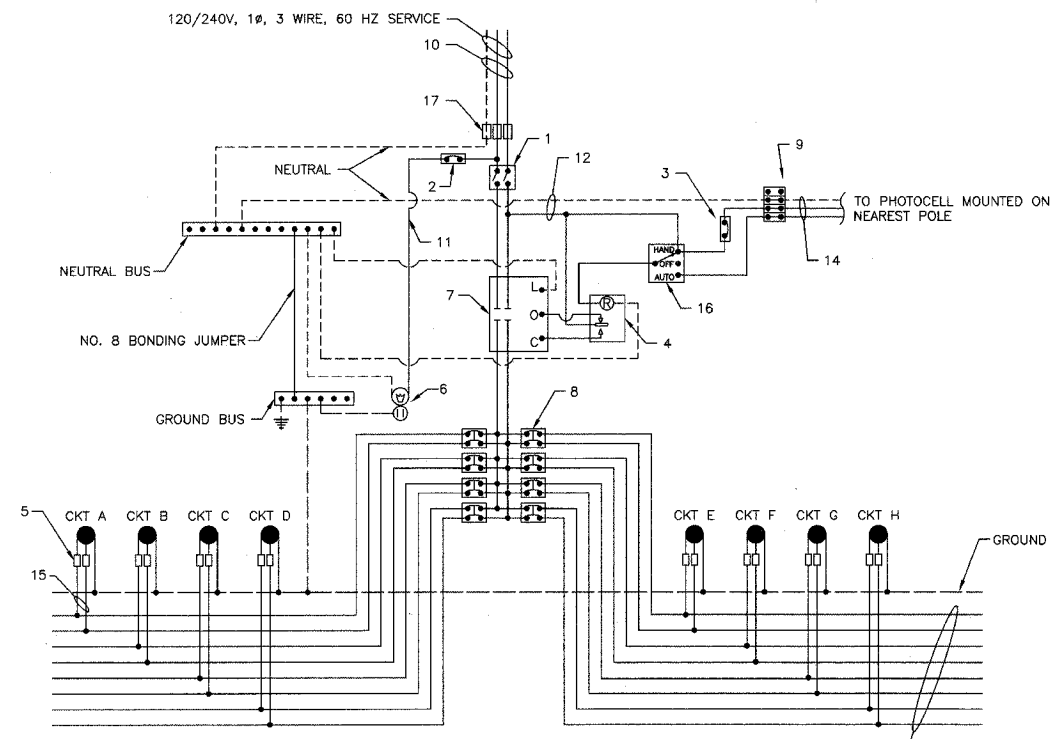


VILLAGE OF BUFFALO GROVE  
**DUNDEE ROAD LIGHTING IMPROVEMENT**  
**LIGHTING DETAILS**

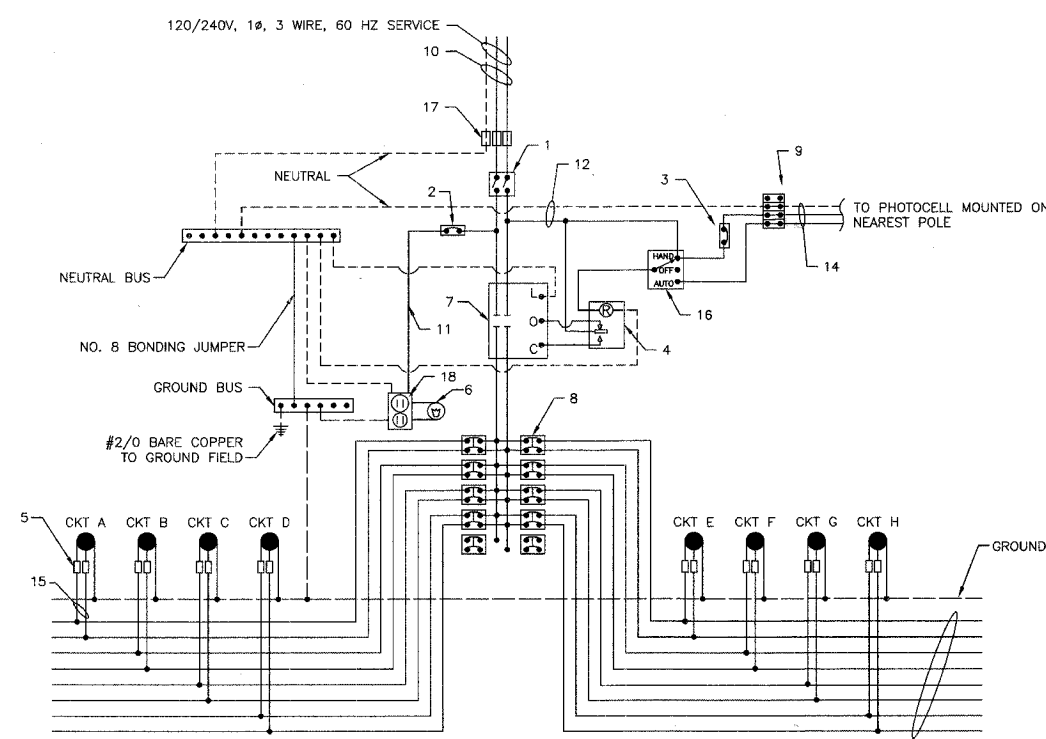
DESIGNED BY: S.J.C.  
 CHECKED BY: D.N.M.  
 DATE: 07/10/2007

NOT TO SCALE

F.A. NO.	SECTION	COUNTY	TOTAL SHEETS	SHEET NO.
03-00087-00-LT	COOK	20	19	
DUNDEE ROAD		LIGHTING DETAILS		
FED. ROAD DISTRICT	BLANKS	FED. AID PROJECT		



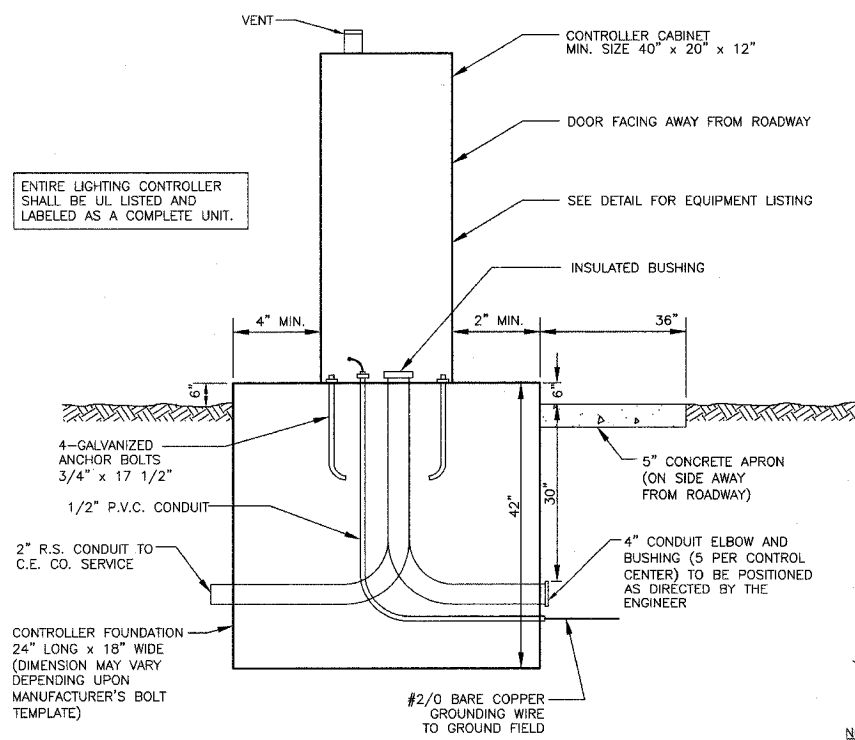
**LIGHTING CONTROLLER #BG1 - WIRING DIAGRAM**  
(EXISTING - SEE CIRCUIT DIAGRAM SHEET NO. 20)



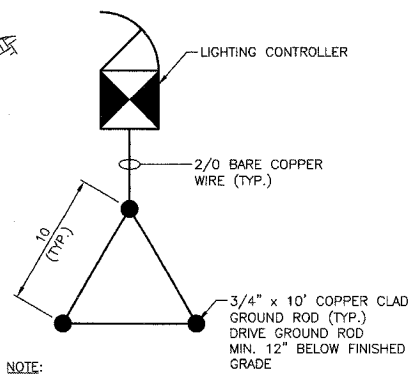
**LIGHTING CONTROLLER #BG2 - WIRING DIAGRAM**

CONTROL CENTER COMPONENT SCHEDULE	
ITEM	SPECIFICATION OR EQUAL
① MAIN CIRCUIT BREAKER	200 AMPERE, 2 POLE, 240 VOLT RATING, 10,000 AMPERE I.R.
② LAMPHOLDER CIRCUIT BREAKER	20 AMPERE, 1 POLE, 120 VOLT RATING, 10,000 AMPERE I.R.
③ PHOTOELECTRIC CONTROL CIRCUIT BREAKER	20 AMPERE, 1 POLE, 120 VOLT RATING, 10,000 AMPERE I.R.
④ CONTROL RELAY	120 VOLT SPST 60 HZ COIL
⑤ IN-LINE FUSES	5 AMP, TYPE FNQ
⑥ LAMPHOLDER	20 AMP, 120 VOLT SWITCHED PORCELAIN LAMPHOLDER POWERED FROM LOAD TERMINAL OF GFI RECEPTACLE
⑦ LIGHTING CONTACTOR	200 AMPERE, 2 POLE, 240 VOLT RATING, 10,000 AMPERE I.R.
⑧ BRANCH LINE CIRCUIT BREAKERS	CIRCUIT A - H 40 AMPERE, 2 POLE, 240 VOLT RATING, 10,000 AMPERE I.R.
⑨ FOUR POINT TERMINAL BLOCK	600 VOLT
⑩ SERVICE CABLES	3-600V (XLP-TYPE USE) NO. 3/0
⑪ LAMPHOLDER WIRE	2-600V XLP NO. 10
⑫ CONTROL WIRE	2-600V XLP NO. 10
⑬ BRANCH LINE CABLES	SEE PLANS FOR SIZE
⑭ PHOTOELECTRIC CONTROL WIRE	3-600V XLP NO. 10
⑮ LIGHTING POLE WIRE	2-600V XLP NO. 10 CABLES WITH POLE GROUND AND FUSING
⑯ HAND-AUTO-OFF CONTROL SWITCH	20 AMPERE, 3 POLE, 120 VOLT
⑰ LIGHTNING ARRESTOR	10,000 AMP
⑱ GFI RECEPTACLE	NEMA 5-20 GFI RECEPTACLE COMMERCIAL SPECIFICATION GRADE

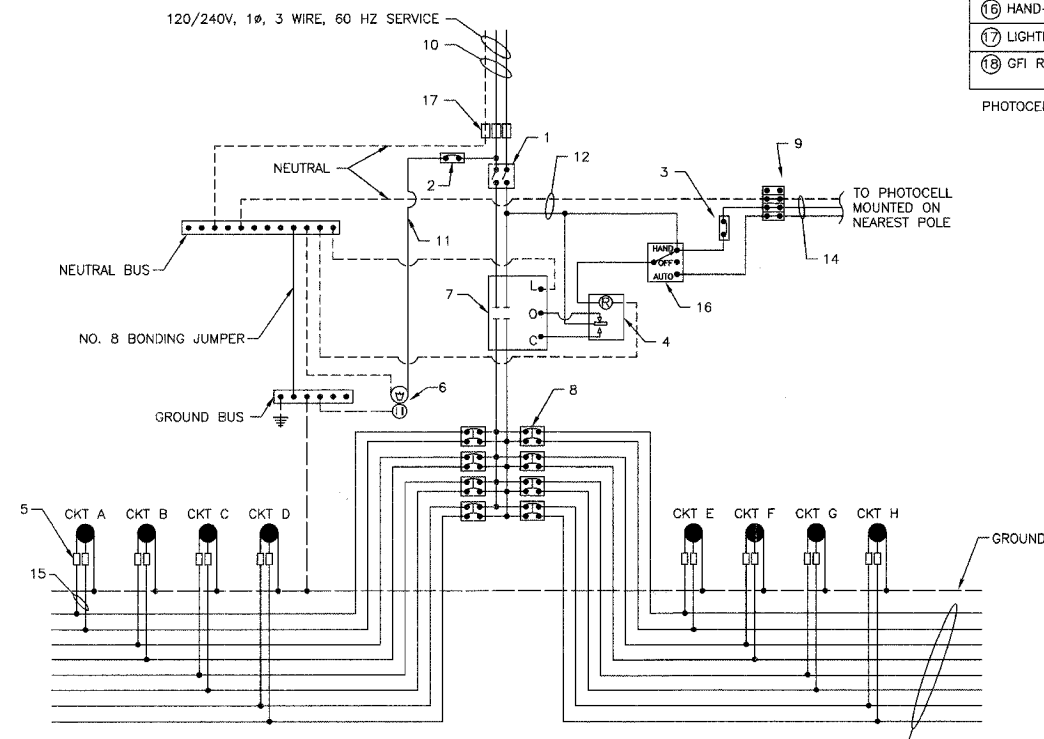
PHOTOCELL TO BE MOUNTED ON NEAREST POLE



**LIGHTING CONTROLLER**



**GROUND FIELD DETAIL**



**LIGHTING CONTROLLER #BG3 - WIRING DIAGRAM**  
(EXISTING - SEE CIRCUIT DIAGRAM SHEET NO. 20)

REVISIONS

VILLAGE OF BUFFALO GROVE  
DUNDEE ROAD LIGHTING IMPROVEMENT  
LIGHTING DETAILS

DESIGNED BY: S.J.C.  
CHECKED BY: D.N.M.  
DATE: 07/10/2007  
NOT TO SCALE

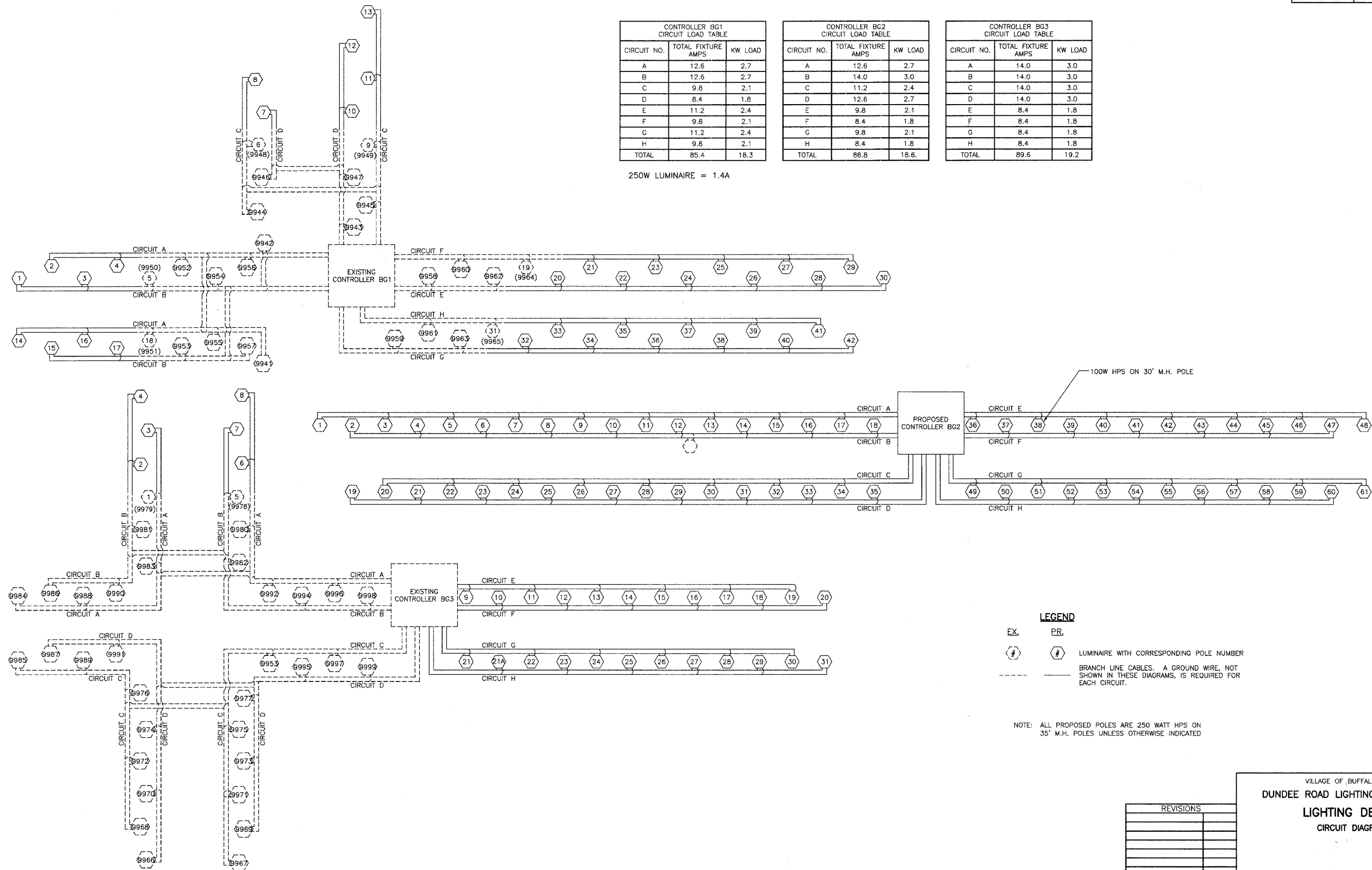
F.A. SHEET	SECTION	COUNTY	TOTAL SHEETS	SHEET NO.
	03-00087-00-LT	COOK	20	20
DUNDEE ROAD		LIGHTING DETAILS		
FED. ROAD DISTRICT	LINE	FED. AID PROJECT		

CIRCUIT NO.	TOTAL FIXTURE AMPS	KW LOAD
A	12.6	2.7
B	12.6	2.7
C	9.8	2.1
D	8.4	1.8
E	11.2	2.4
F	9.8	2.1
G	11.2	2.4
H	9.8	2.1
TOTAL	85.4	18.3

CIRCUIT NO.	TOTAL FIXTURE AMPS	KW LOAD
A	12.6	2.7
B	14.0	3.0
C	11.2	2.4
D	12.6	2.7
E	9.8	2.1
F	8.4	1.8
G	9.8	2.1
H	8.4	1.8
TOTAL	86.8	18.6

CIRCUIT NO.	TOTAL FIXTURE AMPS	KW LOAD
A	14.0	3.0
B	14.0	3.0
C	14.0	3.0
D	14.0	3.0
E	8.4	1.8
F	8.4	1.8
G	8.4	1.8
H	8.4	1.8
TOTAL	89.6	19.2

250W LUMINAIRE = 1.4A



**LEGEND**

- EX. # LUMINAIRE WITH CORRESPONDING POLE NUMBER
- PR. # LUMINAIRE WITH CORRESPONDING POLE NUMBER
- BRANCH LINE CABLES. A GROUND WIRE, NOT SHOWN IN THESE DIAGRAMS, IS REQUIRED FOR EACH CIRCUIT.

NOTE: ALL PROPOSED POLES ARE 250 WATT HPS ON 35' M.H. POLES UNLESS OTHERWISE INDICATED

NO.	DESCRIPTION

VILLAGE OF BUFFALO GROVE  
**DUNDEE ROAD LIGHTING IMPROVEMENT**  
**LIGHTING DETAILS**  
 CIRCUIT DIAGRAMS

DESIGNED BY: S.J.C.  
 CHECKED BY: D.N.M.  
 DATE: 07/10/2007

NOT TO SCALE