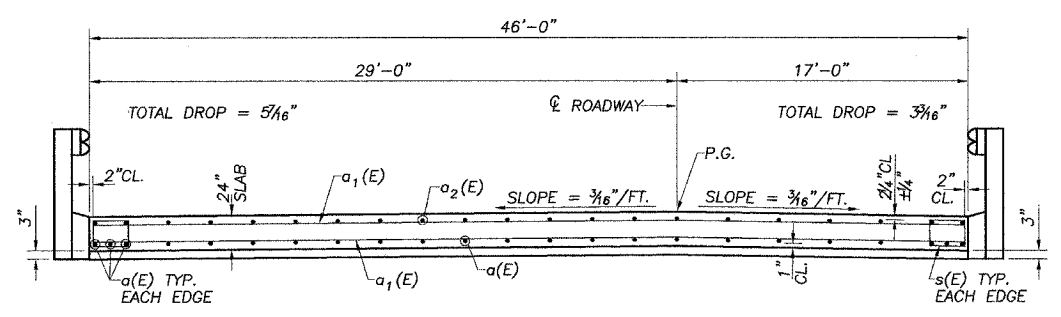
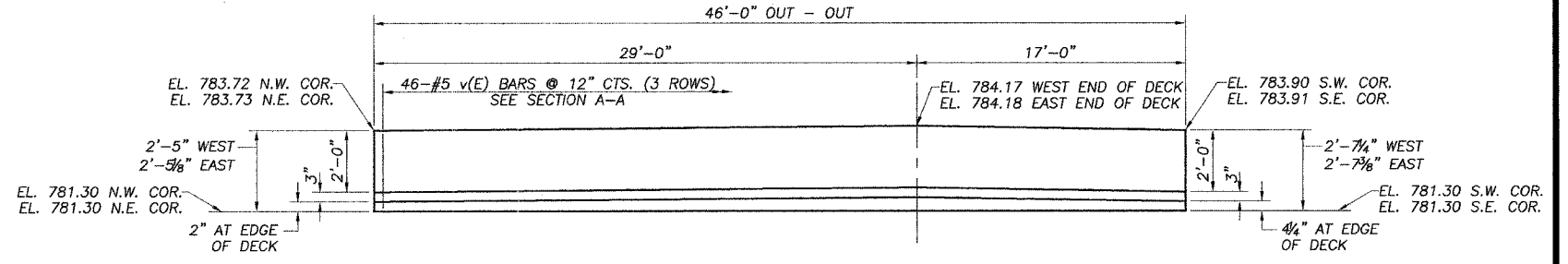


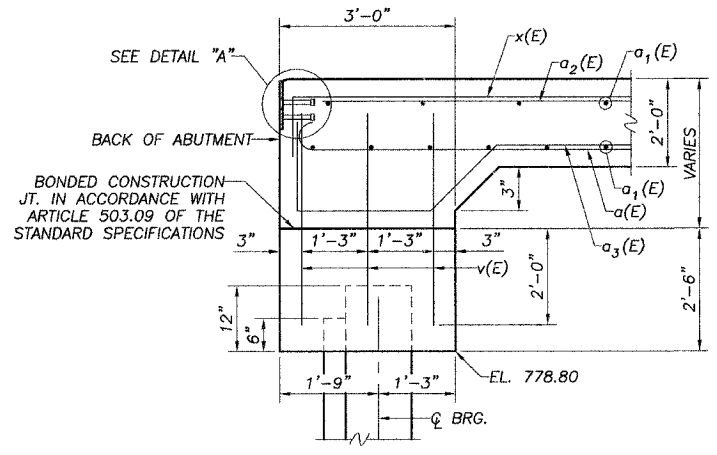
PLAN



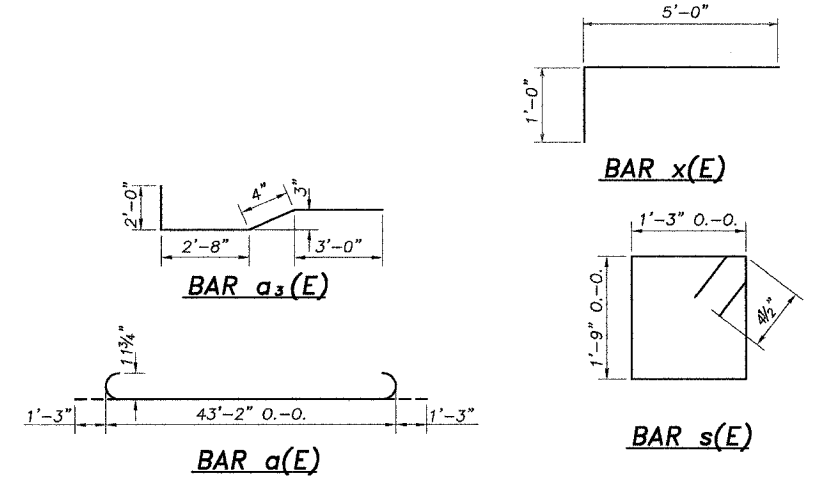
CROSS SECTION THRU DECK



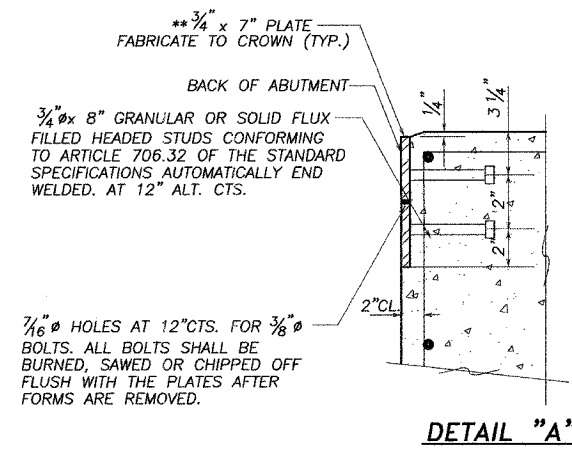
CROSS SECTION AT ABUTMENTS
(ELEVATIONS ARE AT BACK OF ABUTMENT)



SEC. A-A



** FURNISH IN THREE LENGTHS. MAXIMUM SPACE BETWEEN INSTALLED SEGMENTS SHALL BE 3/16". SEAL SPACE WITH SILICONE SEALANT SUITABLE FOR STRUCTURAL STEEL.



DETAIL "A"

NOTE: AFTER FABRICATION ALL SURFACES OF THE STEEL PLATES SHALL BE GIVEN ONE SHOP COAT OF PAINT SPECIFIED FOR STRUCTURAL STEEL. NO FIELD PAINTING REQUIRED.

BILL OF MATERIAL - SUPERSTRUCTURE

BAR	NO.	SIZE	LENGTH	SHAPE
a(E)	81	#9	45'-8"	U
a1(E)	73	#5	45'-8"	U
a2(E)	31	#5	43'-2"	U
a3(E)	92	#4	8'-0"	U
s(E)	88	#4	6'-9"	U
v(E)	276	#5	4'-0"	U
x(E)	92	#6	6'-0"	U
CONCRETE SUPERSTRUCTURES			CU. YD.	153.5
REINFORCEMENT BARS EPOXY COATED			LBS.	20320
PROTECTIVE COAT			SQ. YD.	242
BRIDGE DECK GROOVING			SQ. YD.	222
FURNISHING AND ERECTING STRUCTURAL STEEL			LBS.	1769

* INCLUDES END OF DECK PLATES AND STUDS
REINFORCEMENT BARS INDICATED (E) SHALL BE EPOXY COATED.

SUPERSTRUCTURE
SECTION 04-00206-00-BR
CHERRY VALLEY ROAD
DEKALB COUNTY
S.N. 019-3061