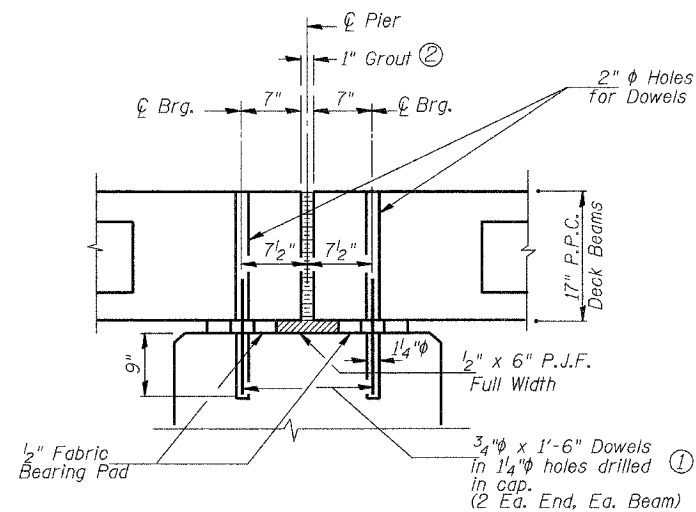
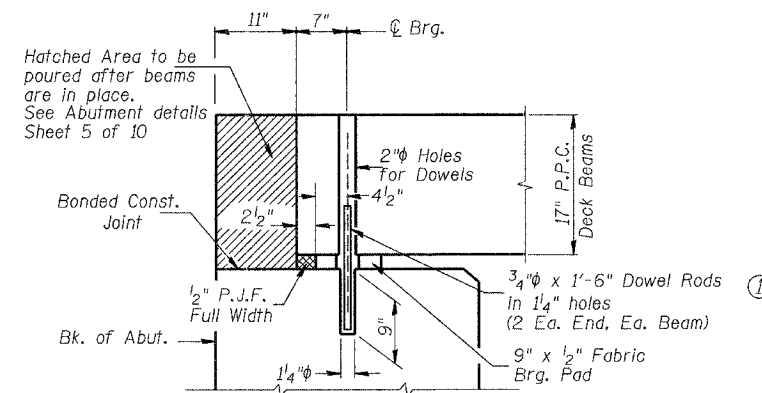


**RAIL POST SPACING**



**SECTION THRU PIERS**  
(At Right Angles)



**SECTION THRU ABUTMENTS**  
(At Right Angles)

- ① Dowel Rods to be grouted after beams are in place and allowed to cure (Min. 24 hr.) prior to grouting the shear keys.
- ② 1" Joint shall be packed with a very dry mix of 2:1 sand and P.C. mortar. 1" Dimension may vary plus or minus to accommodate tolerance in beam lengths.

**SUPERSTRUCTURE DETAILS  
AND RAIL POST SPACING  
T.R. 251 OVER COON CREEK  
SECTION 98-26104-01-BR / 98-25104-01-BR  
IROQUOIS COUNTY  
STATION 59+90.00**