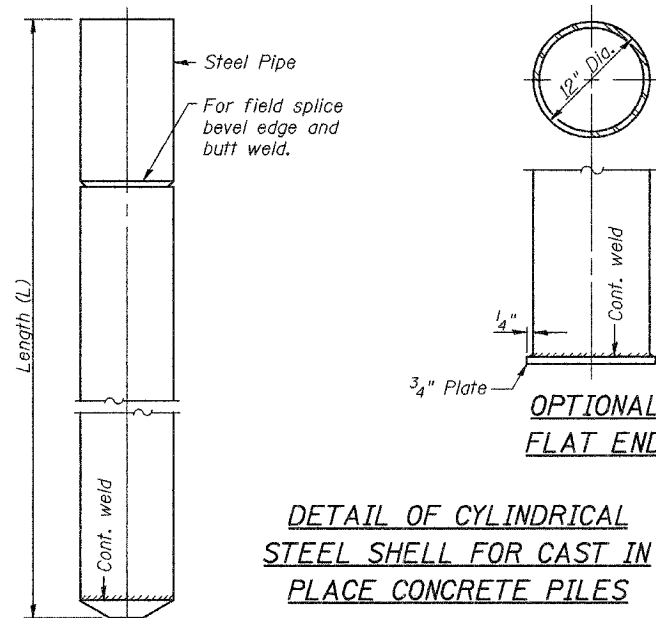
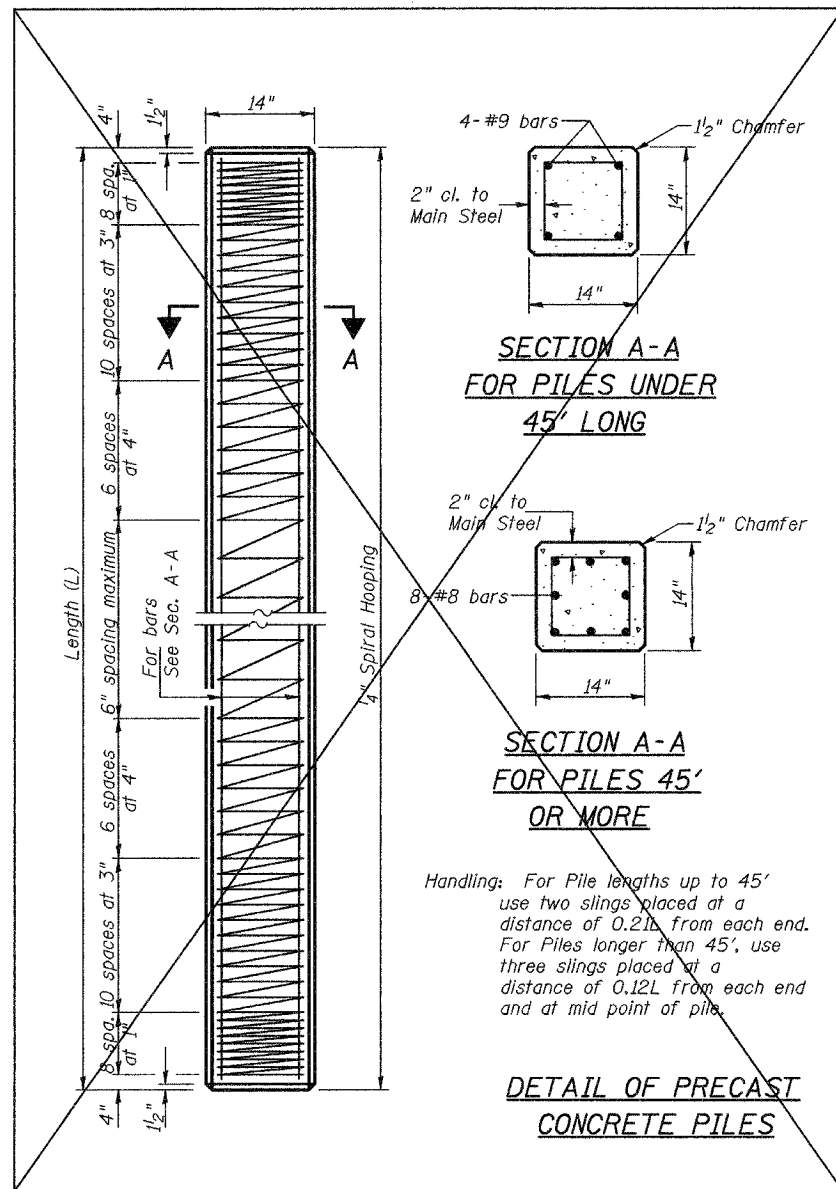
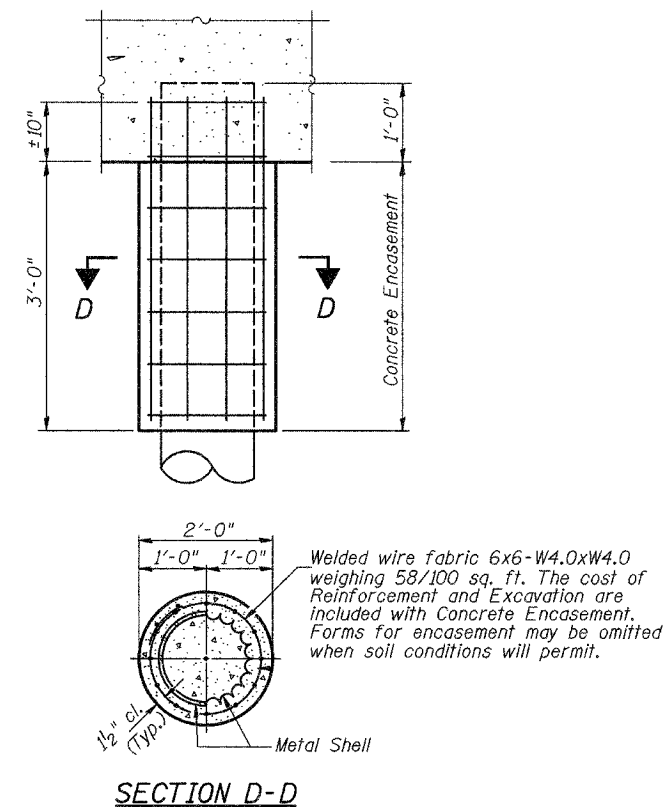
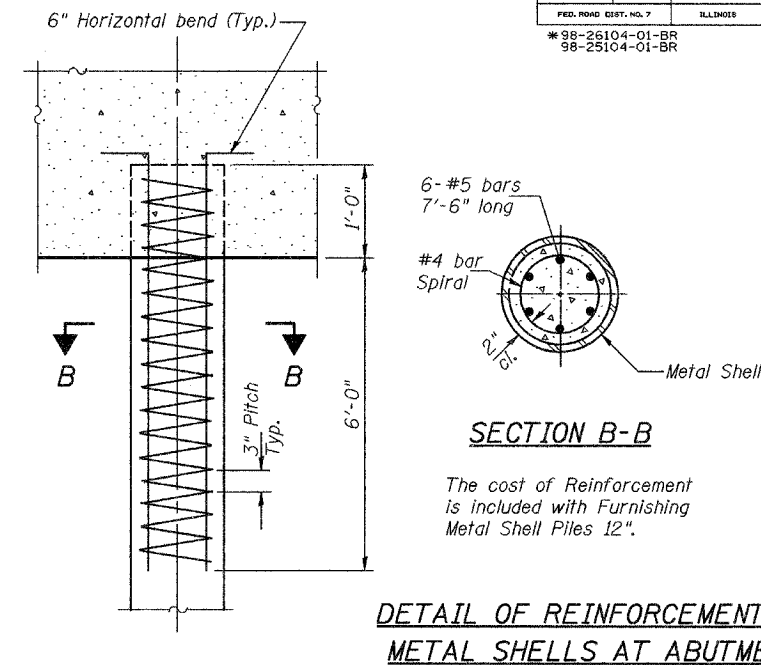
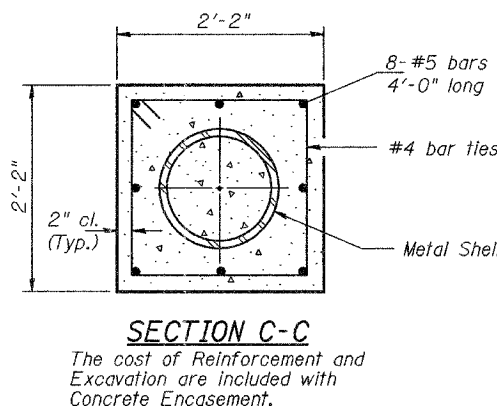
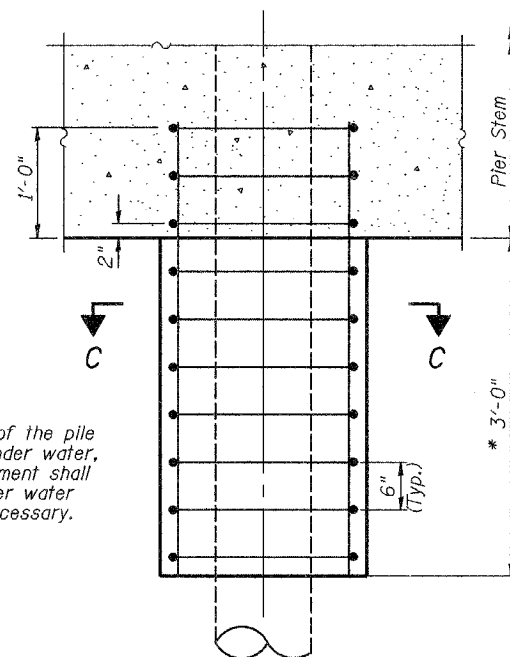


ROUTE NO.	SECTION	COUNTY	TOTAL SHEETS	SHEET NO.
TR 251	*	IROQUOIS	18	12
FED. ROAD EST. NO. 7		ILLINOIS	PROJECT BR05-075(130)	CONTRACT #87336
# 98-26104-01-BR		98-25104-01-BR		

Notes: Driving and bearing ends of pipe shall be cut square. The thickness of the shell shall be 0.25 inches with a tolerance of 5%. The shell shall be according to Article 1006.05(a) of the Standard Specifications.



* If a portion of the pile encasement is under water, Concrete Encasement shall be tremied under water into forms as necessary.



DETAIL OF METAL SHELL PILE ENCASEMENT AT ABUTMENTS

DETAIL OF PROTECTION FOR METAL SHELLS AT PIERS

PILE DETAILS
T.R. 251 OVER COON CREEK
SECTION 98-26104-01-BR / 98-25104-01-BR
IROQUOIS COUNTY
STATION 59+90.00