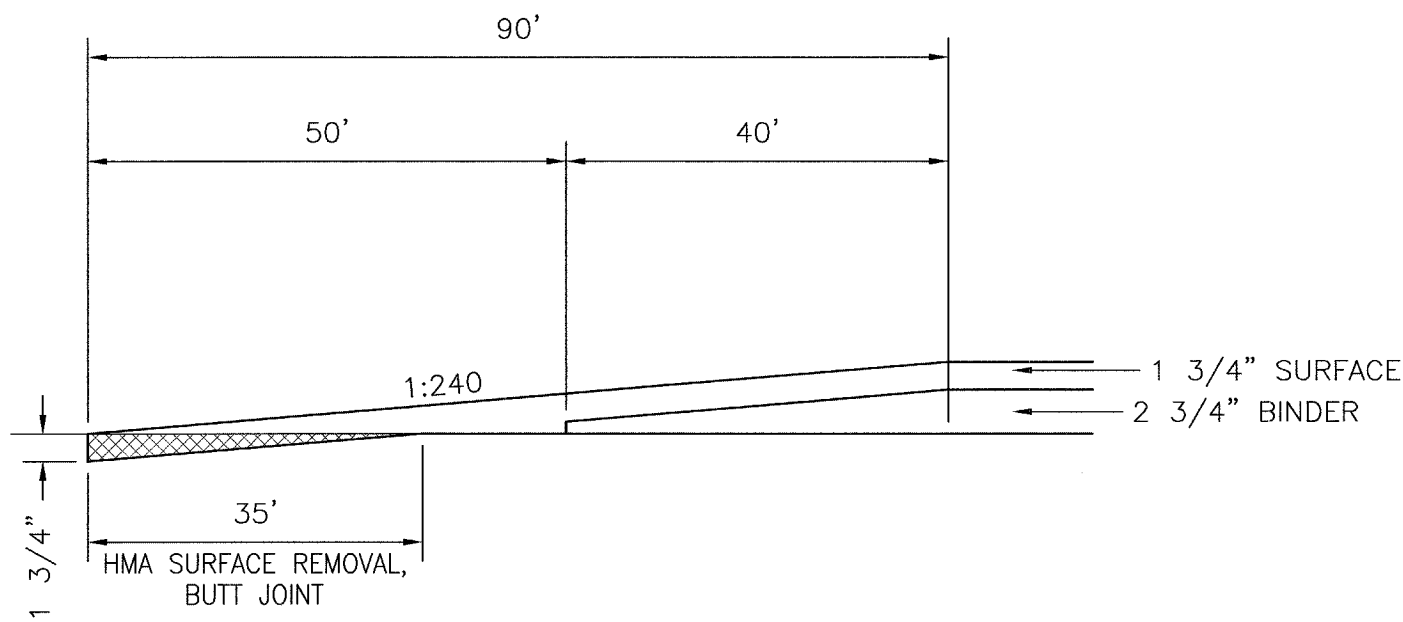


BASE REPAIR, SPECIAL DETAIL

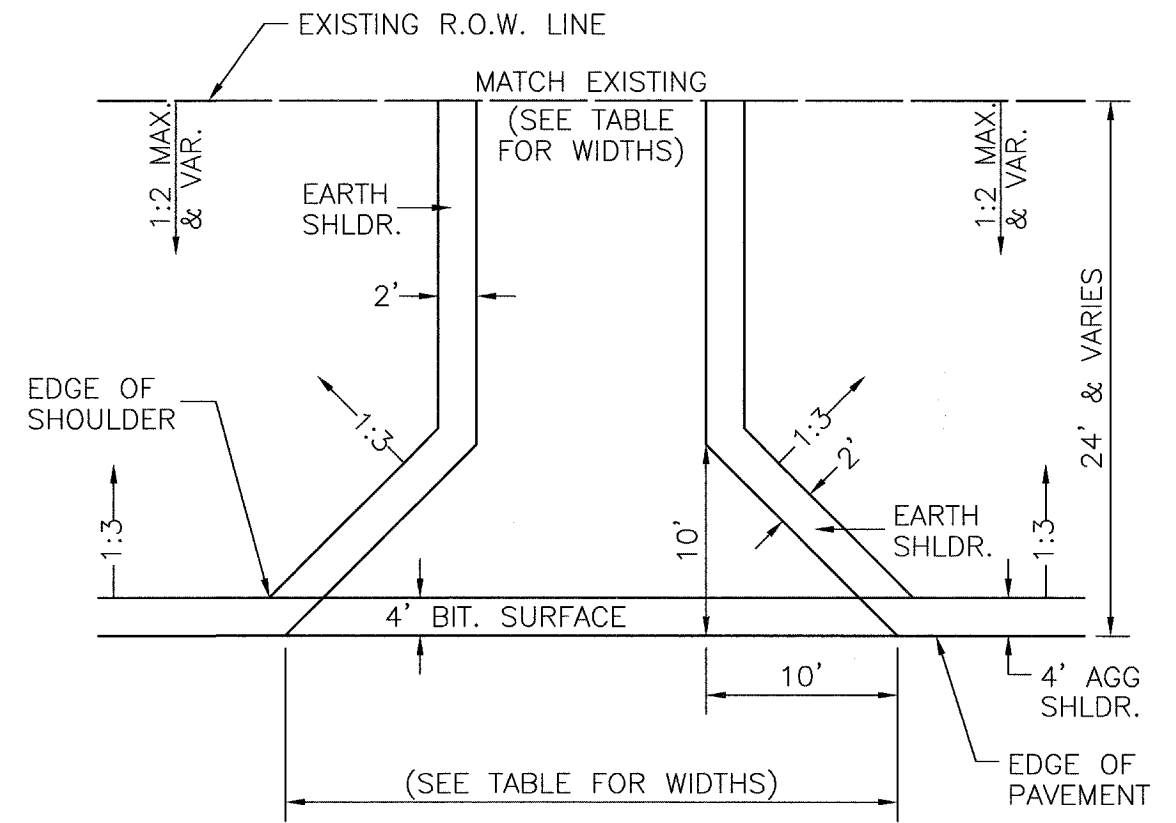


RUNDOWN DETAIL

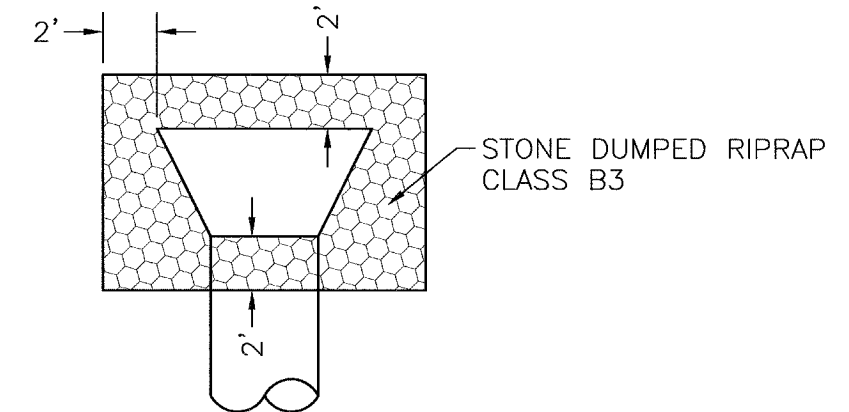
STA. 184+05 TO STA. 184+95
 STA. 317+57.5 TO STA. 318+47.5
 STA. 292+31 TO STA. 293+21

CONSTRUCT PRIVATE ENTRANCES WITH 4 1/2" AGGREGATE SURFACE COURSE, TYPE B (CA-6)

CONSTRUCT FIELD ENTRANCES WITH 4 1/2" AGGREGATE SURFACE COURSE, TYPE B (CA-6)



**TYPICAL ENTRANCE
(PRIVATE OR FIELD)**



**EMBANKMENT STABILIZATION AT
CULVERT EXTENSIONS**

DRAWN BY: L.A.G.
 CHECKED BY: D.J.D.

CAD/.DWG: DETAILS
 DATE: 04/07

REVISIONS	
DATE	BY

CHAMLIN & ASSOCIATES

PERU MORRIS
 ILLINOIS

C.H. 33 (ANGLING ROAD)
 2007
 SECTION 05-00198-00-RS

DETAILS

SCALE: NONE
 FILE NO.: 6813.00Y-1
 SHEET 20 OF 33