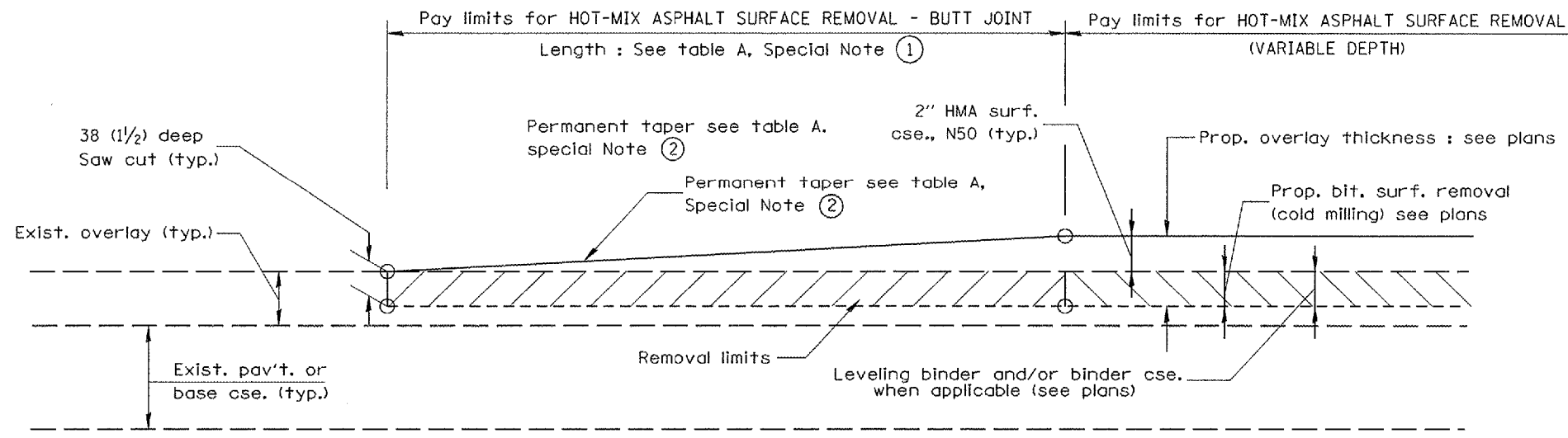


F.A.U. RTE.	SECTION	COUNTY	TOTAL SHEETS	SHEET NO.
6711	00-00164-00-SP	TAZEWELL	80	50
STA.		TO STA.		
FED. ROAD DIST. NO.		ILLINOIS	FED. AID PROJECT	



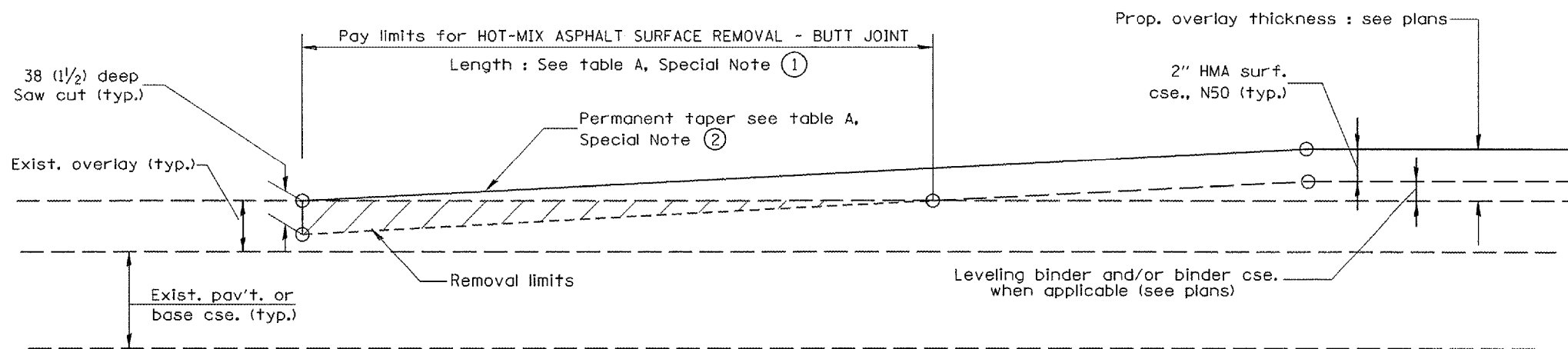
CASE 1 : WITH HOT-MIX ASPHALT SURFACE REMOVAL (VARIABLE DEPTH)

TABLE A  
(LENGTHS AND TAPER RATES)

SPECIAL NOTE NUMBER	ELEMENT	MAINLINE INTERSTATES & 4-LANE EXPRESSWAYS	ALL OTHERS
①	LENGTH OF BUTT JOINT	18.0 m(60')	9.0 m(30')
②	PERMANENT TAPER RATE	1:480	1:240
③	TEMPORARY RAMP TAPER RATE	1:80	1:40
④	TEMPORARY RAMP LENGTH	3.0 m(10')	1.5 m(5')

GENERAL NOTES

1. The work shall be done in accordance with Article 406.18 and the Special Provision for Butt Joints.
2. The pavement surface to be removed may be either bituminous or P.C. concrete. The work shall be performed in accordance with Article 440.03 and the Special Provisions for Butt Joints.
3. The saw cut joints shall be primed just prior to the placing of bituminous material. The work will be in accordance with the applicable portions of Article 406.06.



CASE 2 : NO HOT-MIX ASPHALT SURFACE REMOVAL (VARIABLE DEPTH)

