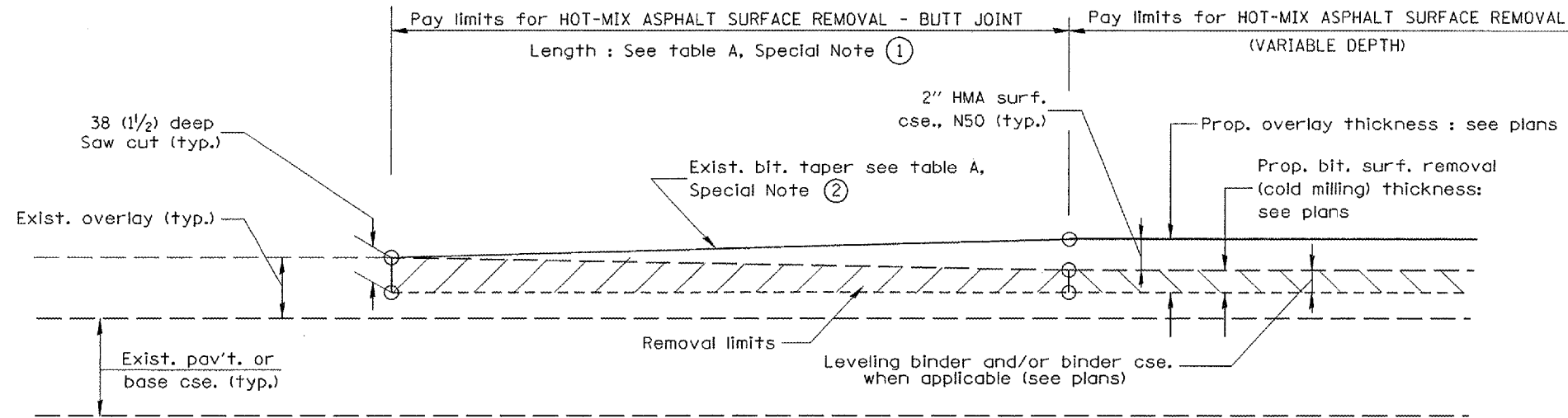
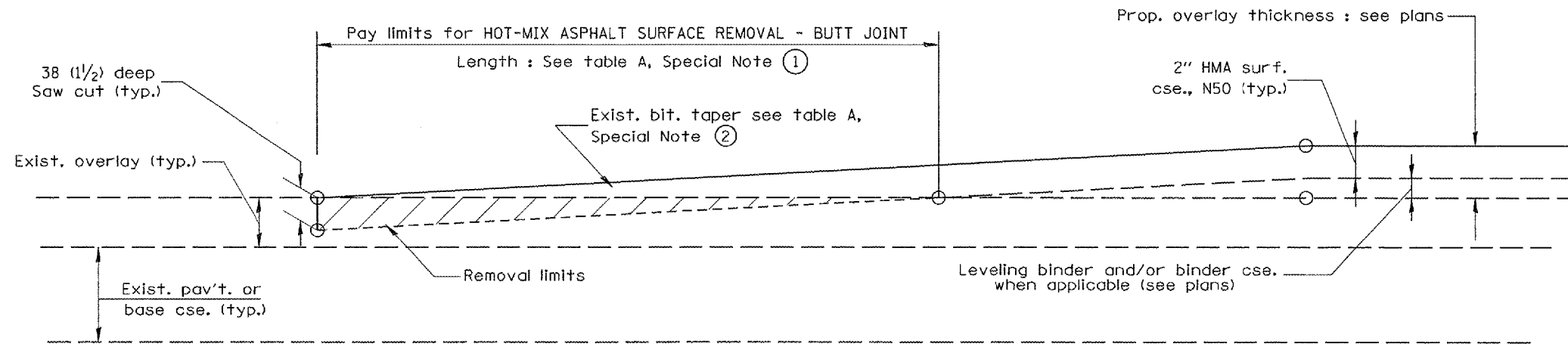


F.A.J. RTE.	SECTION	COUNTY	TOTAL SHEETS	SHEET NO.
6711	00-00164-00-SP	TAZEWELL	80	51
STA.		TO STA.		
FED. ROAD DIST. NO.		ILLINOIS	FED. AID PROJECT	



**CASE 3 : WITH HOT-MIX ASPHALT SURFACE REMOVAL (VARIABLE DEPTH)
TIE-IN TO EXISTING BITUMINOUS TAPER**



**CASE 4 : NO HOT-MIX ASPHALT SURFACE REMOVAL (VARIABLE DEPTH)
TIE-IN TO EXISTING BITUMINOUS TAPER**

